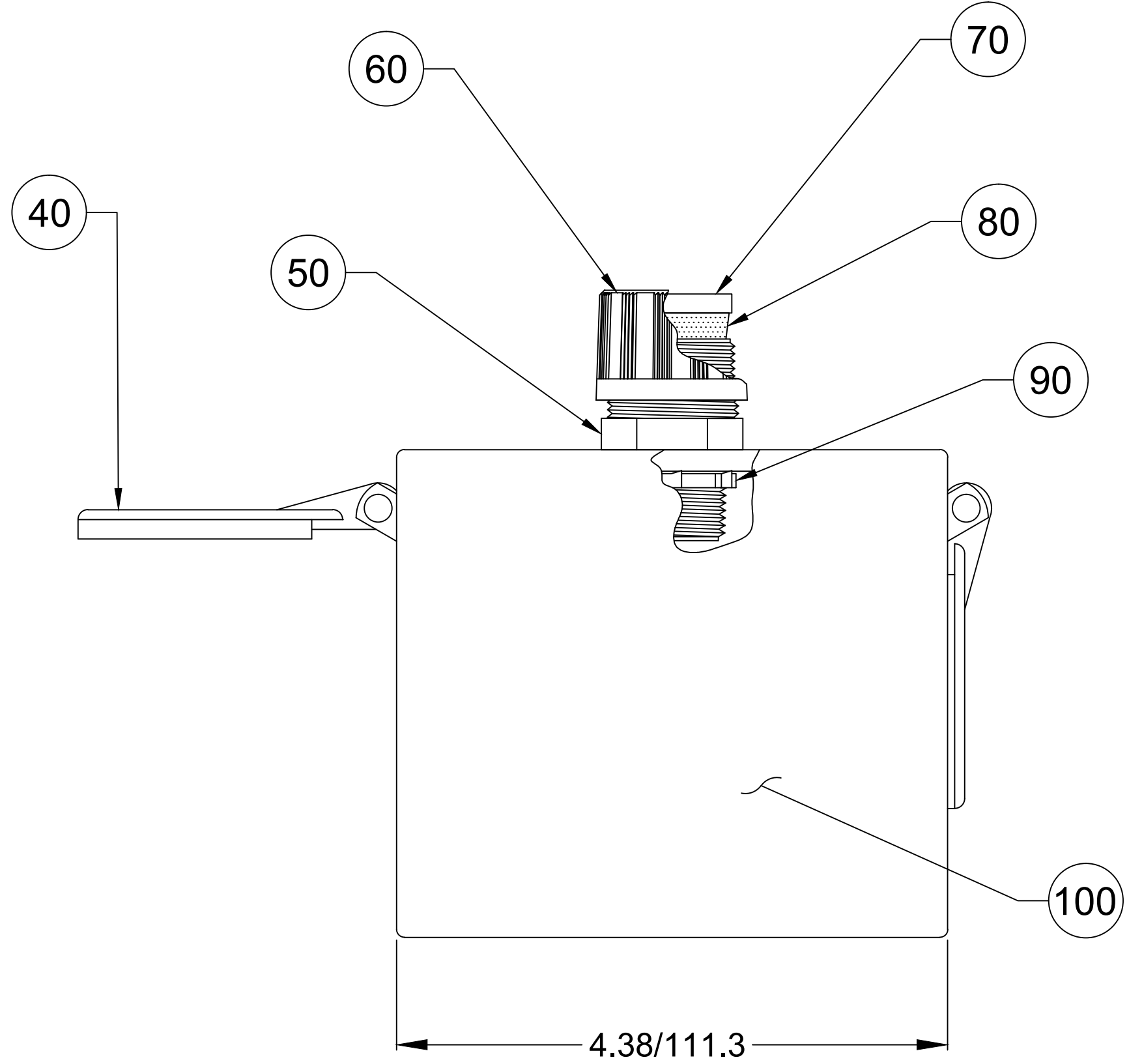
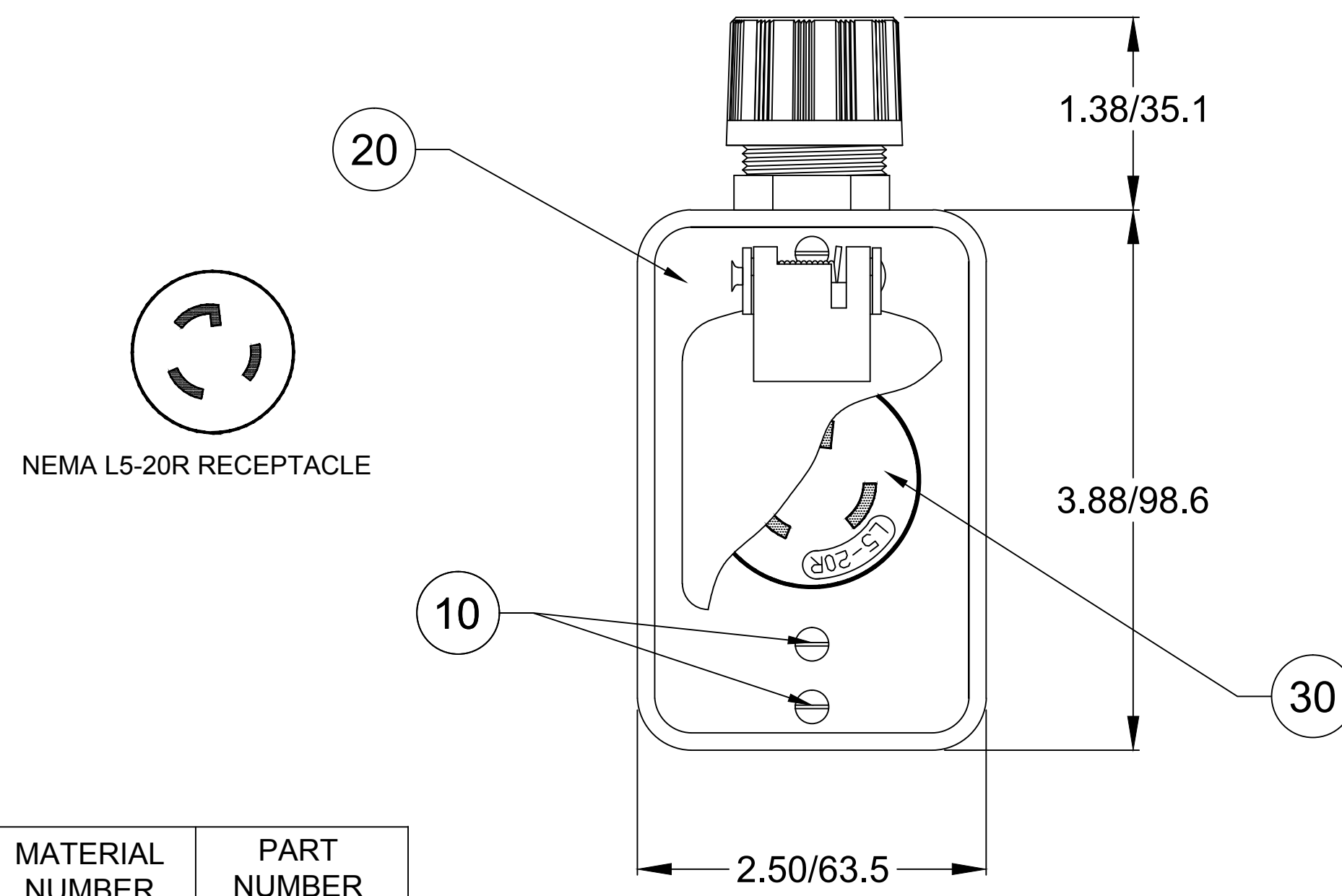


ITEM NO.	COMPONENT & SUB-COMPONENTS *	MATERIAL	FINISH
10	SCREW	STAINLESS STEEL	-----
20	COVER PLATE	NYLON	YELLOW
30	SINGLE RECEPTACLE NEMA L5-20R 20A/120V	-----	BLACK
40	FLIP COVER ASSEMBLY	-----	-----
	* FLIP COVER	POLYCARBONATE	YELLOW
	* FLIP COVER GASKET	NEOPRENE	YELLOW
	* TORSION SPRING	STAINLESS STEEL	PASSIVATED
	* RIVET	BRASS	BRIGHT NICKEL PLATING
	* FLIP COVER BRACKET	COLD ROLL STEEL	BRIGHT NICKEL PLATING
50	CORD GRIP	NYLON	YELLOW
60	COMPRESSION NUT	NYLON	YELLOW
70	FRICITION RING	HIGH-DENSITY POLYETHELENE	NATURAL
80	GROMMET	NITRILE PVC	SEE NOTE 1
90	LOCKNUT	STEEL	ZINC FINISH
100	OUTLET BOX	RUBBER	YELLOW



MATERIAL NUMBER	PART NUMBER
1301370201	3088-3

- NOTES:**
- KIT INCLUDES WITH 3 GROMMETS FOR VARIOUS CORD RANGES.
 - GRAY GROMMET- CORD RANGE 0.500" - 0.625"
 - GREEN GROMMET - CORD RANGE 0.562" - 0.687"
 - ORANGE GROMMET - CORD RANGE 0.625" - 0.750"

EC NO: ICG2013-1397 DRWN: HRUIZ01 2013/03/13 CH'KD: HKNEELAN APPR: JFMURPHY 2013/03/26 REV A	QUALITY SYMBOL	GENERAL TOLERANCES (UNLESS SPECIFIED)	DIMENSION STYLE INCH/MM	SCALE NTS	DESIGN UNITS INCH	THIRD ANGLE PROJECTION
	▽=0 ∇=0	mm INCH	DRAWN BY DATE	TITLE	SUPER-SAFEWAY OUTLET BOX W/ TWO SINGLE RECEPTACLES W/ FLIP LIDS MOLEX INCORPORATED	
		4 PLACES ±--- ±---	HRUIZ01 2013/03/13			
		3 PLACES ±--- ±.005	2 PLACES ±.13 ±.010	CHECKED BY DATE	MOLEX INCORPORATED DOCUMENT NO. SD-130137-033 SHEET NO. 1 OF 1	
	1 PLACE ±.25 ±.020	1 PLACE ±.25 ±.020	APPROVED BY DATE			
		ANGULAR ±1/2°	JFMURPHY 2013/03/26	MATERIAL NO. 1301370201		
		DRAFT WHERE APPLICABLE MUST REMAIN WITHIN DIMENSIONS	THIS DRAWING CONTAINS INFORMATION THAT IS PROPRIETARY TO MOLEX INCORPORATED AND SHOULD NOT BE USED WITHOUT WRITTEN PERMISSION			