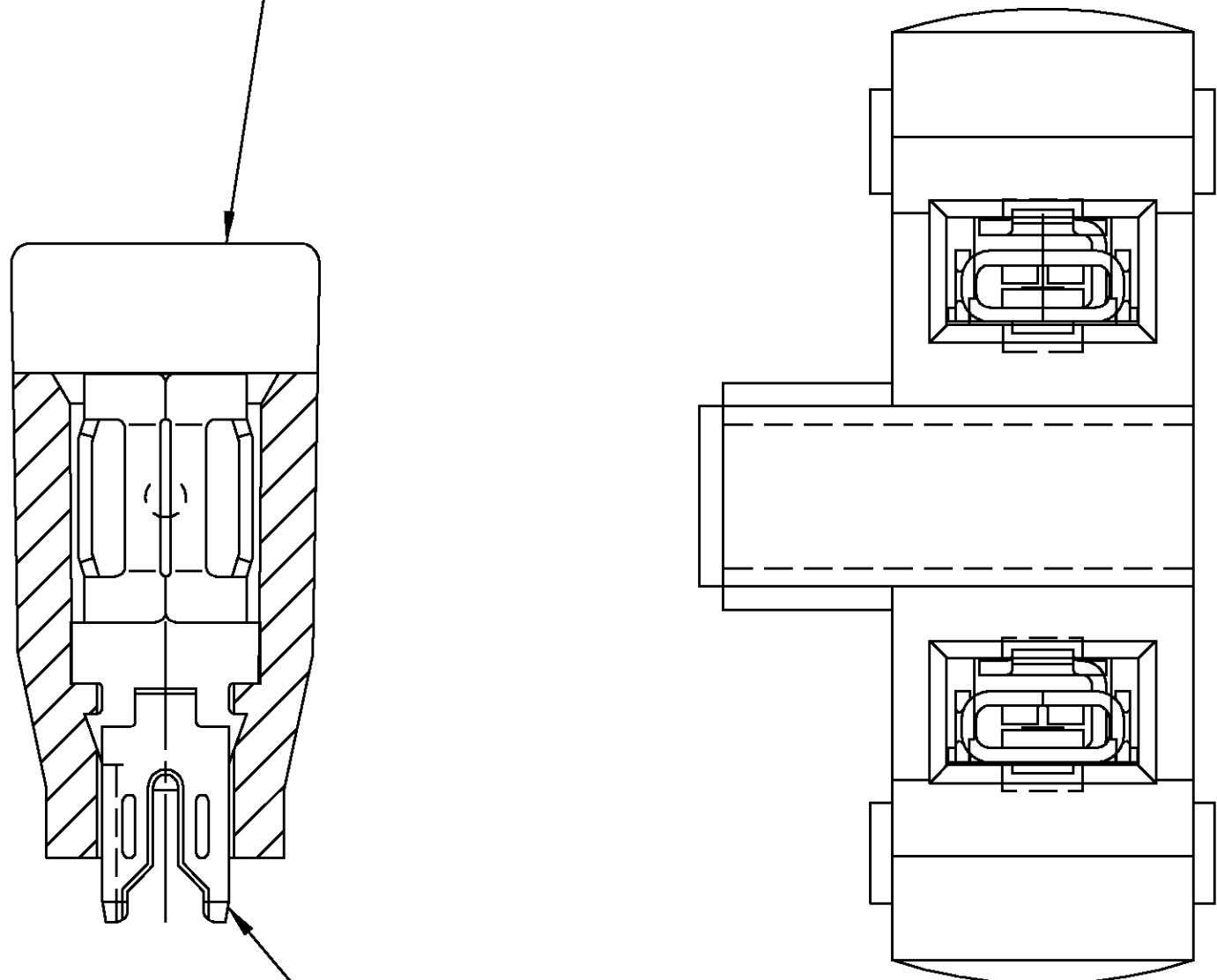


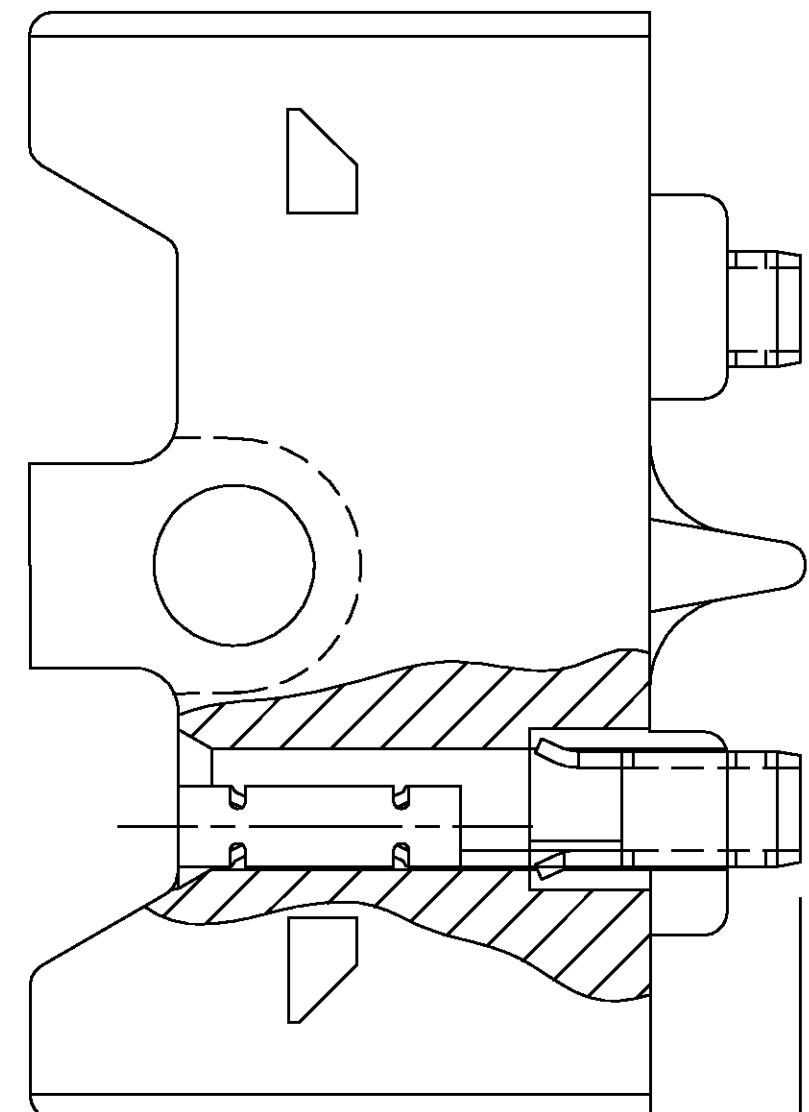
THIS DRAWING IS UNPUBLISHED. RELEASED FOR PUBLICATION  
 © COPYRIGHT BY TYCO ELECTRONICS CORPORATION. ALL RIGHTS RESERVED.

LOC		DIST		REVISIONS			
P	LTR	DESCRIPTION	DATE	DWN	APVD		
AF	50	A	REV PER 0G63-0097-02	11SEP02	JR	GJ	

STRAIN RELIEF HOUSING # 1601460-1  
 (B & D # 172466-00)



TYCO #  
1601459-1



.130 ± .005 [3.31 ± 0.13]  
2 PLC'S

631-157-001	-	-	1601455-1
REFERENCE P/N	FINISH	MATERIAL	TYCO PART NUMBER
THIS DRAWING IS A CONTROLLED DOCUMENT.		DWN R FLAIG 13AUG02	Tyco Electronics Corporation LICKDALE, PA 17038
DIMENSIONS: INCHES 		CHK G JACONO 13AUG2002	
TOLERANCES UNLESS OTHERWISE SPECIFIED: 0 PLC ± - 1 PLC ± - 2 PLC ± .01 3 PLC ± .005 4 PLC ± - ANGLES ± 30°		APVD G JACONO 13AUG2002	NAME TERMINAL STRAIN RELIEF ASSEMBLY
MATERIAL	FINISH	PRODUCT SPEC	RESTRICTED TO
-	-	APPLICATION SPEC	SIZE A2
CUSTOMER DRAWING		WEIGHT	CAGE CODE 00779
		SCALE 1:1	DRAWING NO 1601455
		SHEET 1 OF 1	REV A