

4

3

2

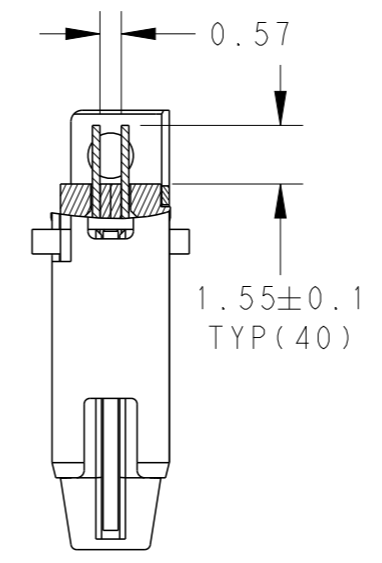
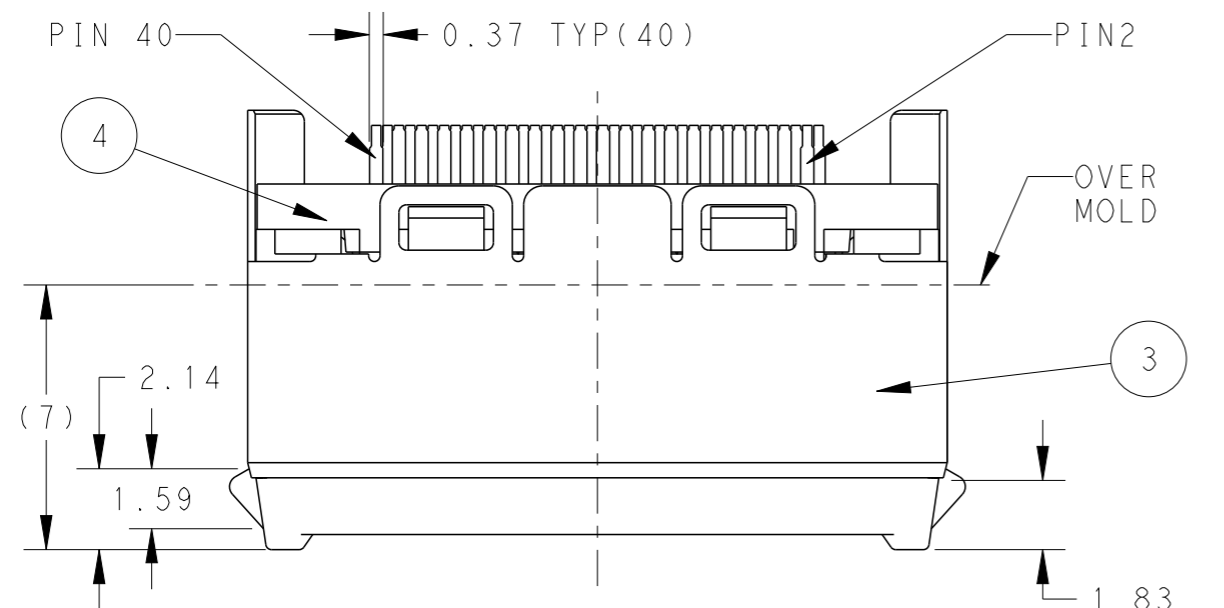
1

THIS DRAWING IS UNPUBLISHED. RELEASED FOR PUBLICATION 20
© COPYRIGHT 20 BY TYCO ELECTRONICS CORPORATION. ALL INTERNATIONAL RIGHTS RESERVED.

LOC DW
DIST

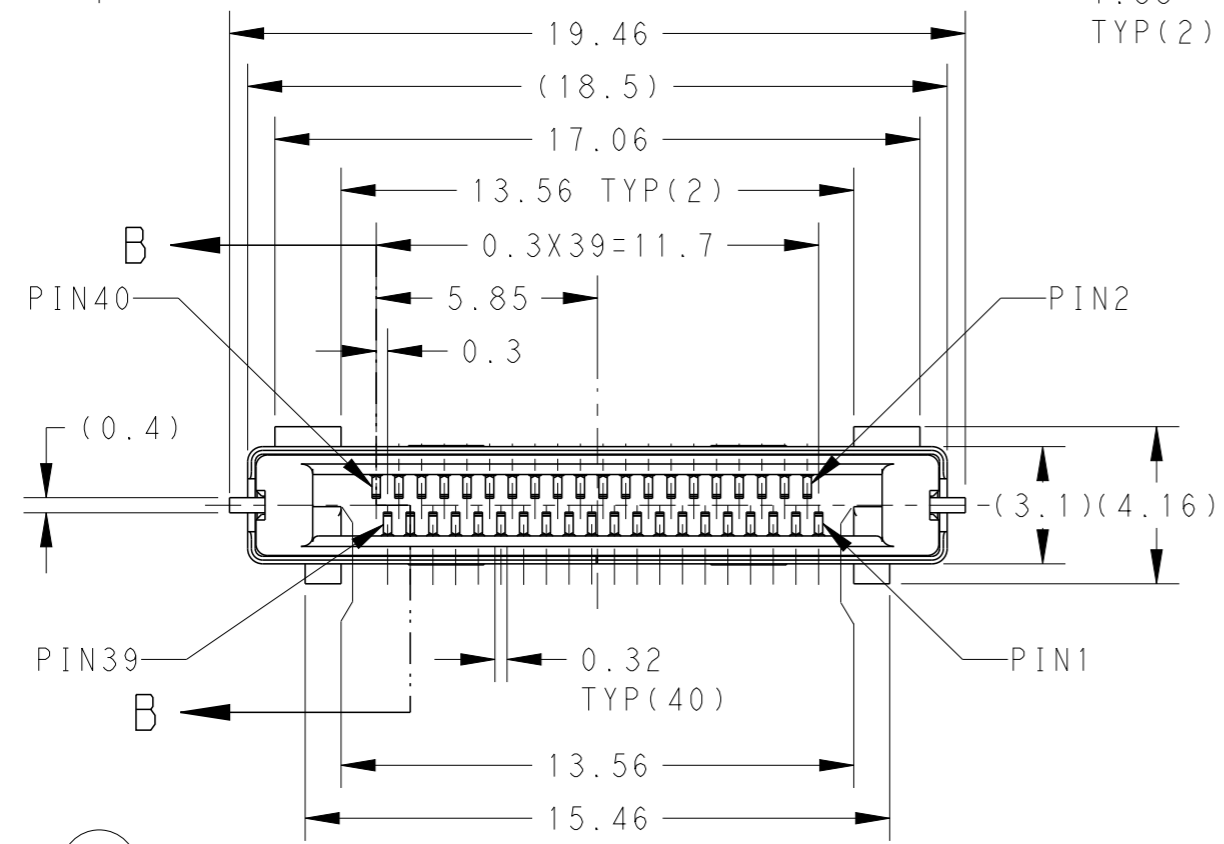
REVISIONS					
P	LTR	DESCRIPTION	DATE	DWN	APVD
	A	RELEASED	23FEB2011	S.Y	H.K
	A3	REVISED (ECR-11-016286)	21JUN2011	S.Y	H.K
	A5	REVISED (ECR-12-003398)	22FEB2012	S.Y	H.K

2129276-1: AS SHOWN



B-B

- △ MATERIAL:
 ①. HOUSING: THERMO-PLASTIC(UL94V-0,BLACK).
 ②. CONTACT: COPPER ALLOY.
 ③. SHELL: STAINLESS STEEL.
 ④. COVER: THERMO-PLASTIC(UL94V-0,BLACK).
 ⑤. LATCH: STAINLESS STEEL.
- △ FINISH:
 CONTACT:
 Ni UNDER PLATING OVERALL.
 Au PLATING ON CONTACT AREA OVERALL.
 Tin PLATING ON TINE AREA.
 SHELL:
 Ni UNDER PLATING OVERALL.

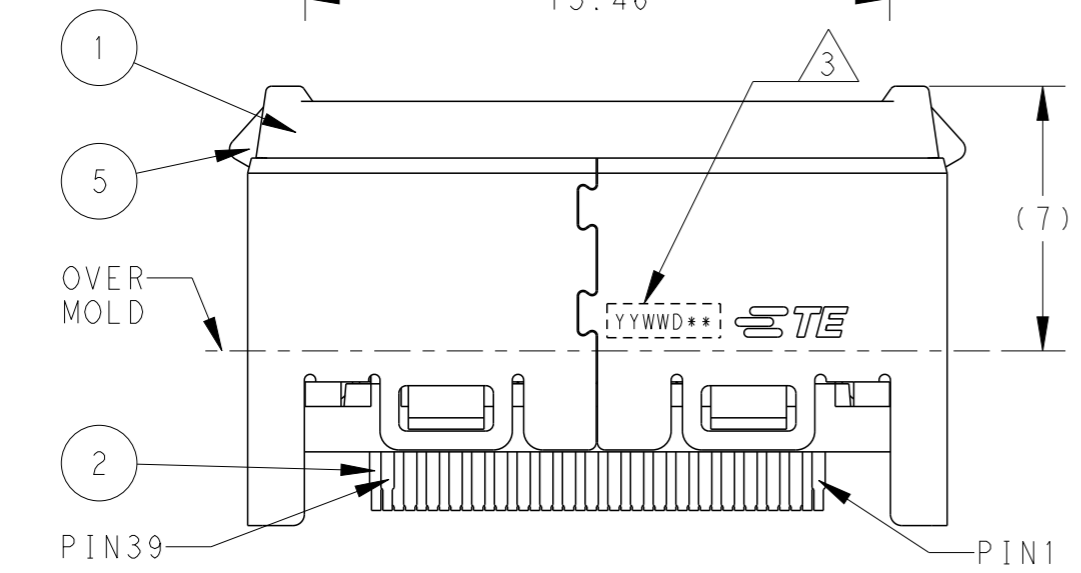
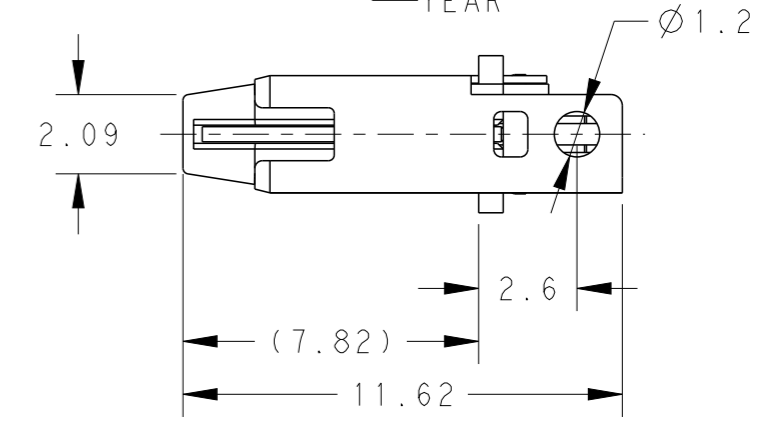


△ DATE CODE: YY WW D **

ASSY LINE NO. A,B,C,***

DAY SHIFT OR NIGHT SHIFT

DAY
WEEK
YEAR



THIS DRAWING IS A CONTROLLED DOCUMENT FOR TYCO ELECTRONICS CORPORATION IT IS SUBJECT TO CHANGE AND THE CONTROLLING ENGINEERING ORGANIZATION SHOULD BE CONTACTED FOR THE LATEST REVISION.

DIMENSIONS: mm	TOLERANCES UNLESS OTHERWISE SPECIFIED: 0 PLC ± ±0.25 1 PLC ± ±0.25 2 PLC ± ±3° 3 PLC ± ± 4 PLC ± ± ANGLES ± ±
MATERIAL	FINISH

DWN	S. YANG	29-Feb-12
CHK	M. CHAO	29-Feb-12
APVD	H. KODAMA	29-Feb-12
PRODUCT SPEC	108-99033	
APPLICATION SPEC		
WEIGHT	1.03g	

		Tyco Electronics Corporation Taipei, Taiwan	
NAME CABLE PLUG ASSY, 0.6MM PITCH CHAMP DOCKING CONNECTOR, 40 POS.			
SIZE	CAGE CODE	DRAWING NO	RESTRICTED TO
A3	00779	C-2129276	-
CUSTOMER DRAWING		SCALE	SHEET
		5:1	1 OF 2
		REV	A5

THIS DRAWING IS UNPUBLISHED.

RELEASED FOR PUBLICATION

20

© COPYRIGHT 20

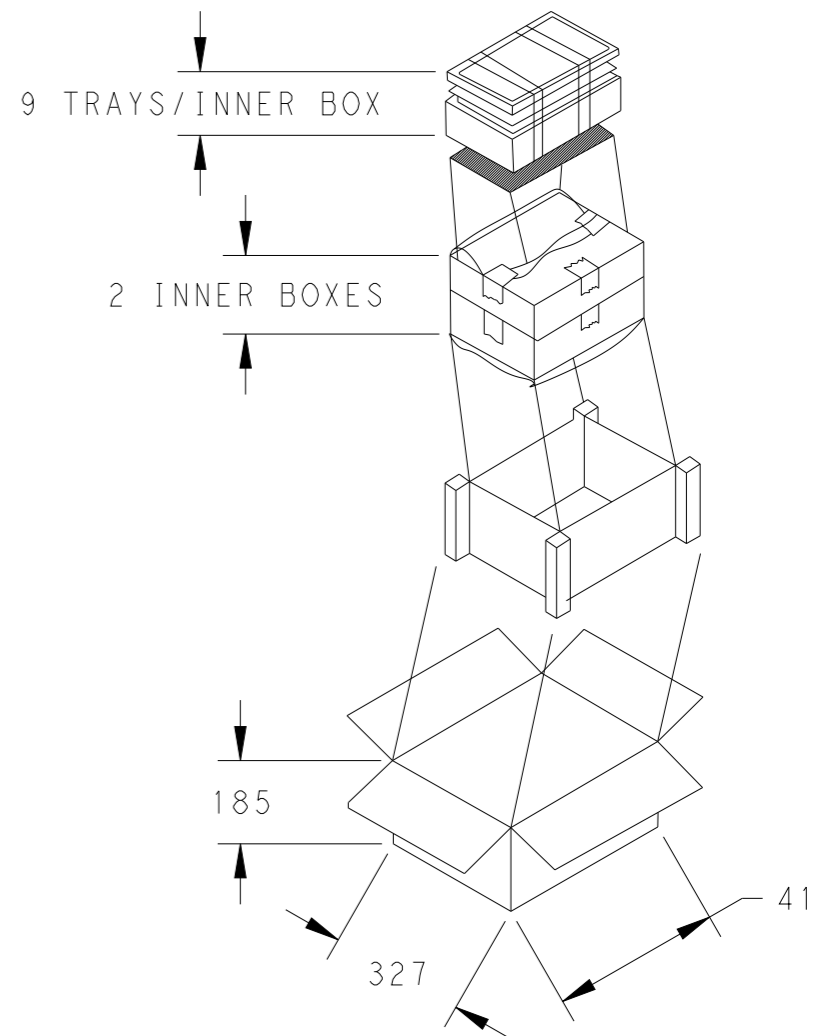
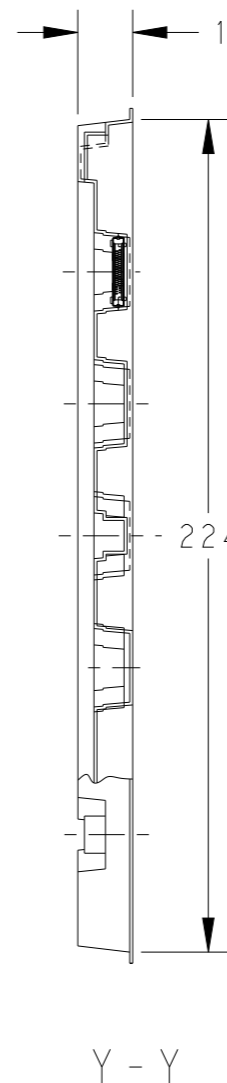
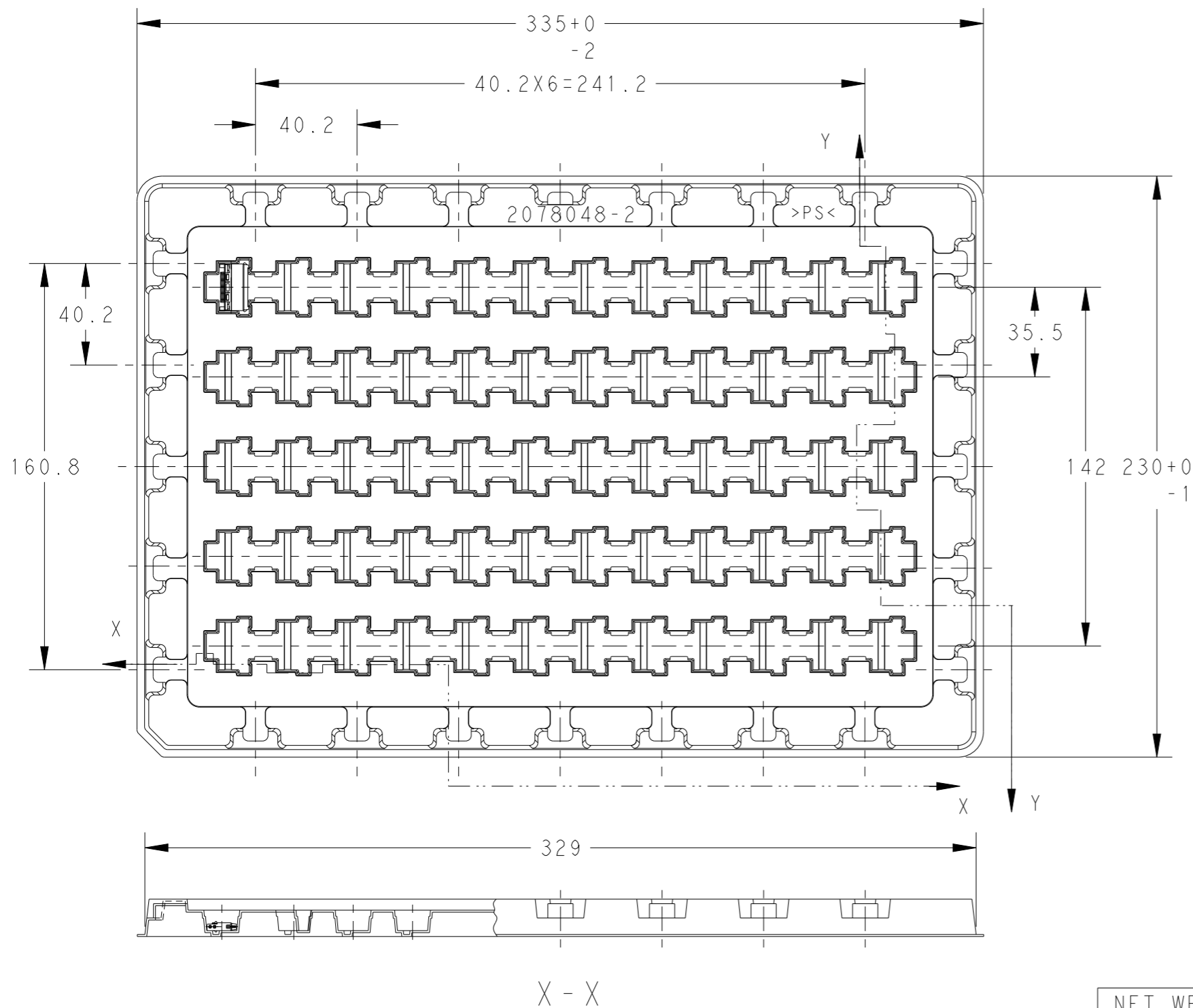
BY TYCO ELECTRONICS CORPORATION. ALL INTERNATIONAL RIGHTS RESERVED.

LOC
DW

DIST
-

REVISIONS

P	LTR	DESCRIPTION	DATE	DWN	APVD
-	-	SEE SHEET 1	-	-	-



NET WEIGHT	GROSS WEIGHT	QTY/TRAY	QTY/INNER BOX	QTY/BOX
1.11 KG	2.5 KG	60 PC	540 PC	1080 PC

THIS DRAWING IS A CONTROLLED DOCUMENT FOR TYCO ELECTRONICS CORPORATION. IT IS SUBJECT TO CHANGE AND THE CONTROLLING ENGINEERING ORGANIZATION SHOULD BE CONTACTED FOR THE LATEST REVISION.

DIMENSIONS: mm	
MATERIAL	

TOLERANCES UNLESS OTHERWISE SPECIFIED:	
0 PLC	±
1 PLC	±
2 PLC	±2
3 PLC	±5°
4 PLC	±
ANGLES	±
FINISH	

DWN	-
CHK	-
APVD	-
PRODUCT SPEC	-
APPLICATION SPEC	-
WEIGHT	1.03g
CUSTOMER DRAWING	

Tyco Electronics Tyco Electronics Corporation
Taipei, Taiwan

NAME
CABLE PLUG ASSY, 0.6MM PITCH
CHAMP DOCKING CONNECTOR, 40 POS.

SIZE	CAGE CODE	DRAWING NO	RESTRICTED TO
A3	00779	C-2129276	-

SCALE: FREE SHEET 2 OF 2 REV A5