

4

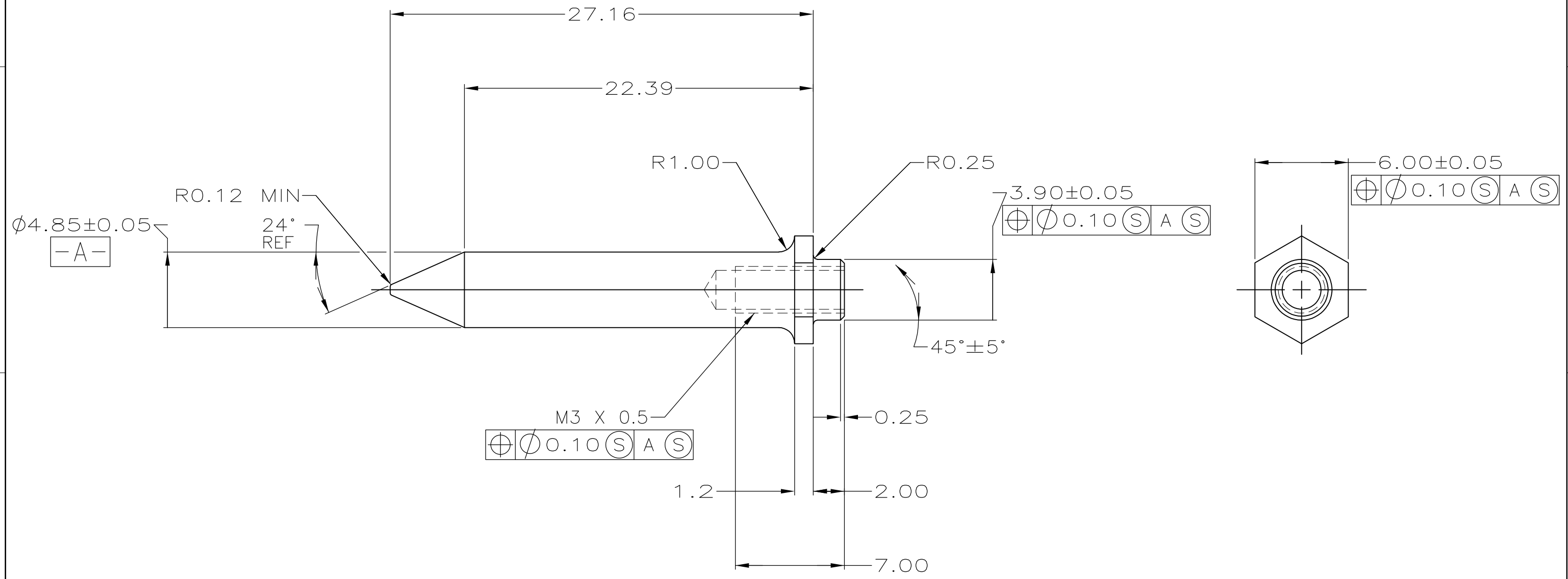
3

2

1

THIS DRAWING IS UNPUBLISHED. RELEASED FOR PUBLICATION ,19 .  
 © COPYRIGHT 19 BY AMP INCORPORATED. ALL RIGHTS RESERVED.

LOC		DIST		REVISIONS			
P	LTR	DESCRIPTION		DATE	DWN	APVD	
	B1	REV PER ECR-15-012700		28AUG2015	ML	SZ	



- ① MATERIAL: STAINLESS STEEL.
- ② FINISH: PASSIVATE.

②	①	223988-1
FINISH	MATERIAL	PART NUMBER
DWN T. SHUEY 4-28-99 CHK R. PATTERSON 4-28-99 APVD R. PATTERSON 4-28-99		<b>AMP</b> AMP Incorporated Harrisburg, PA 17105-3608
PRODUCT SPEC APPLICATION SPEC WEIGHT -		NAME <b>GUIDE PIN, UNIVERSAL POWER MODULE</b> SIZE A3 CAGE CODE 00779 DRAWING NO <b>C-223988</b> RESTRICTED TO -
CUSTOMER DRAWING		SCALE 4:1 SHEET 1 OF 1 REV B1

THIS DRAWING IS A CONTROLLED DOCUMENT.	
DIMENSIONS: mm 	TOLERANCES UNLESS OTHERWISE SPECIFIED: 0 PLC ± _____ 1 PLC ± _____ 2 PLC ±0.13 3 PLC ± _____ 4 PLC ± _____ ANGLES ±0° 30'
MATERIAL ①	FINISH ②