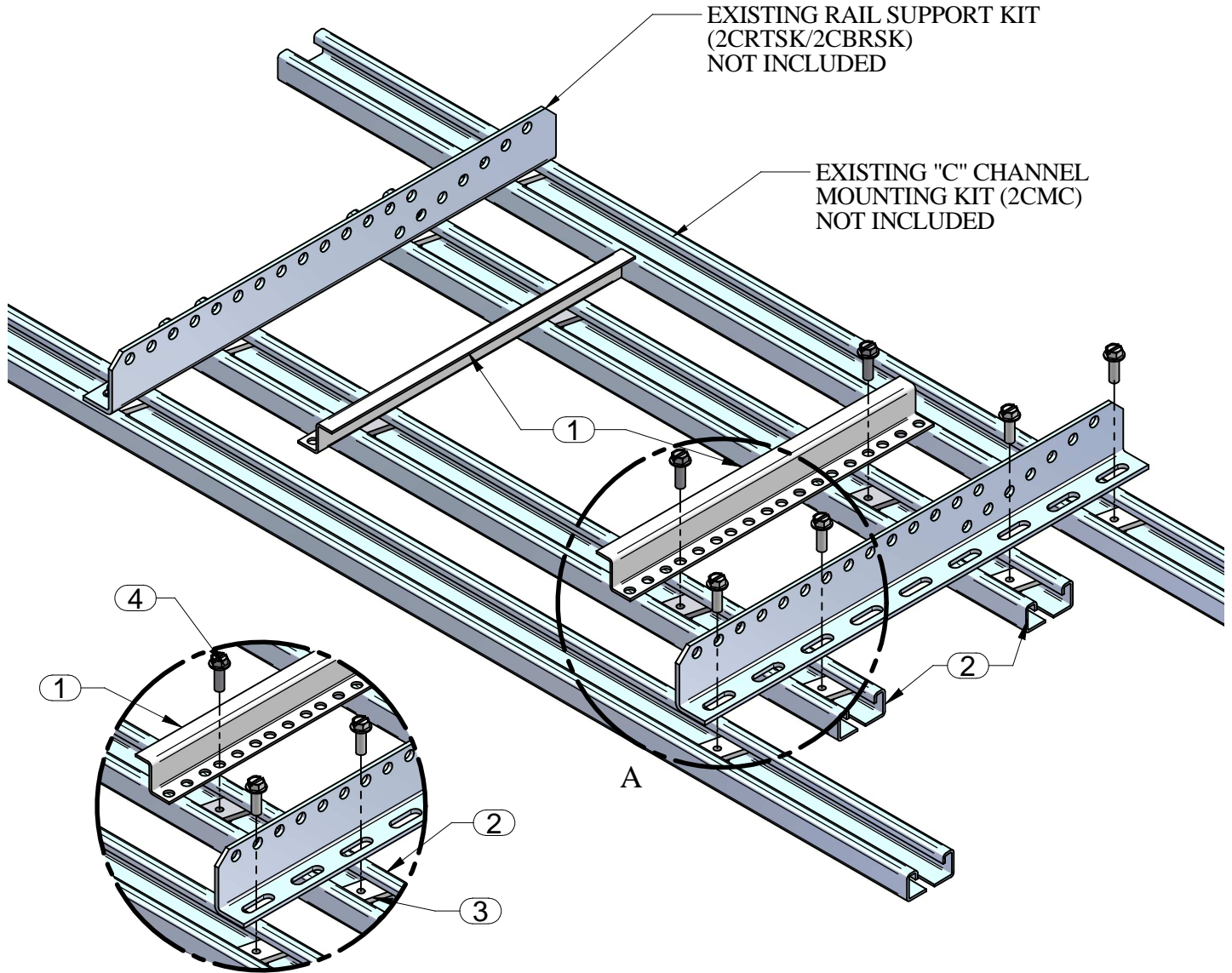


# 2CRTK - SERIES

## ASSEMBLY INSTRUCTIONS FOR CRT MOUNTING KIT

BUL10083  
REV. C  
PAGE 1 OF 1



DETAIL A

- A) This kit mounts to the underside slots in the rail support kit (ordered separately).
- B) Place the 1/4-20 spring nuts (item 3) in the "C" channel (item 2). Locate spring nuts to line up under the slots in the rail supports.
- C) Attach "C" channel to existing rail support to suit application. Slide spring nuts into position and using a 1/4-20 screw (item 4) tighten securely. Typical 4 places.
- D) Place "Z" mounting rail (item 1) on "C" channels mounted in step C. Place to suit application. Slide spring nut into position and using 1/4-20 screws, tighten securely. Typical 4 places.

### PARTS LIST

ITEM No.	DESCRIPTION	QTY
1	"Z" MOUNTING RAIL	2
2	"C" CHANNEL	2
3	1/4-20 STRUT NUT (SPRING)	8
4	1/4-20 X 1" HEX SLOT SCREW	8

#### TOOL BOX



3/8, 7/16 Socket  
Wrench



3/8, 7/16 Open  
Wrench



**HAMMOND  
MANUFACTURING™  
D A T A C O M**