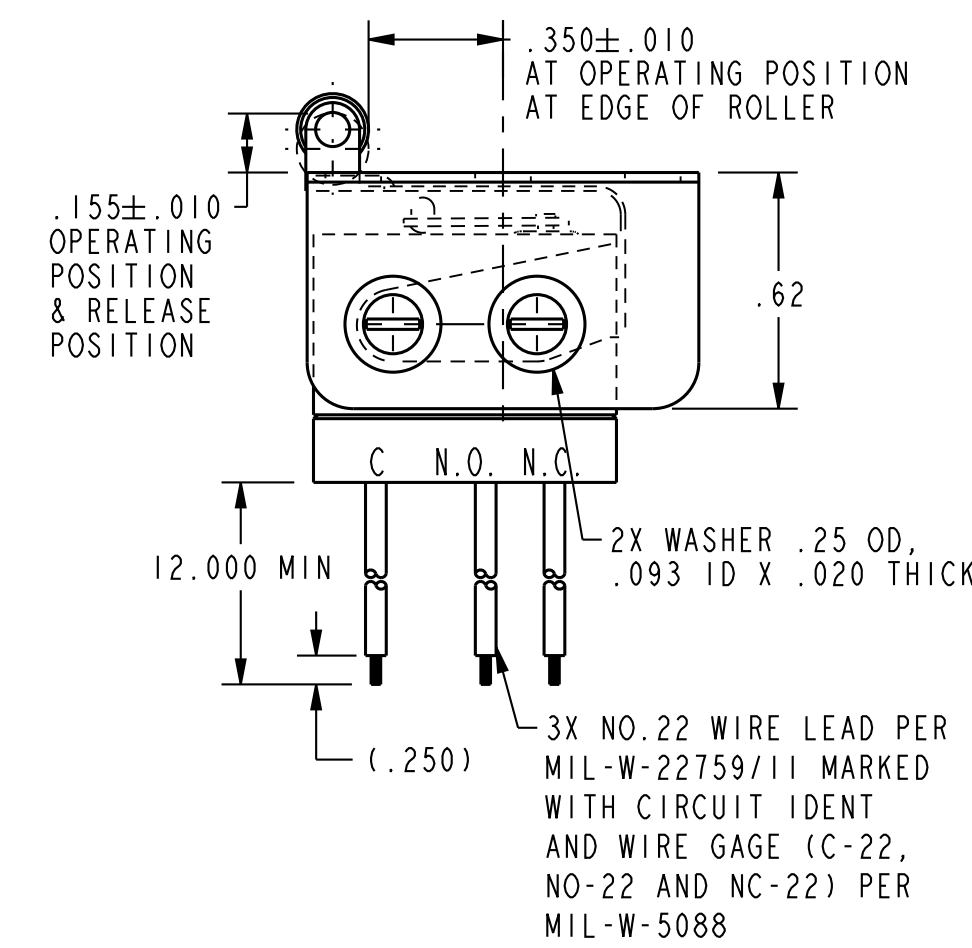
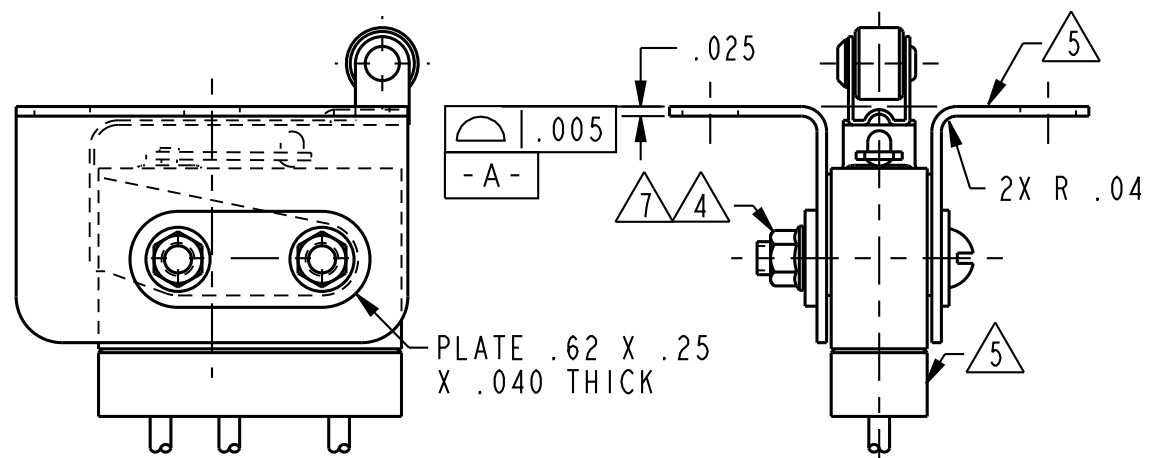
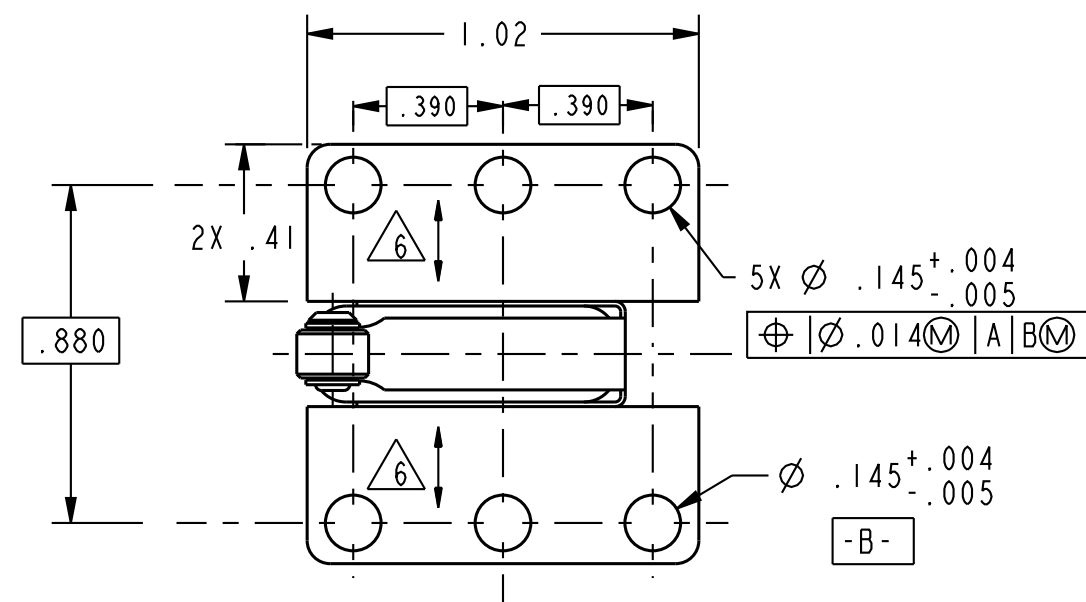


M

38HM27



- NOTES
- 1 CONTACT HONEYWELL - MICRO SWITCH IF ADDITIONAL INFORMATION ON LOW ENERGY LOADS IS REQUIRED OR FOR HELP WITH SPECIAL APPLICATIONS LIFE RATINGS PER MIL-PRF-8805 REQUIREMENTS. ACTUAL LIFE EXCEEDS RATED LIFE. CONTACT HONEYWELL - MICRO SWITCH FOR ADDITIONAL DATA
  - 2 SWITCH IS HERMETICALLY SEALED (METAL-TO-METAL, GLASS-TO-METAL)
  - 3 2X NUT, SELF-LOCKING PER MS 21042-02
  - 4 MAXIMUM ALLOWABLE ELECTRICAL RESISTANCE TO BE 7.5 mΩ
  - 5 MEASURED ACROSS SURFACES INDICATED
  - 6 GRAIN DIRECTION
  - 7 SEAT LOCKING NUTS AGAINST PLATE AT 2.5 IN/LBS, PER MIL-N-25027

SPECIFICATION DETAILS:			
STANDARD:	CONFORMS TO MS27216-5 (MIL-PRF-8805/8) EXCEPT AS NOTED		
CONSTRUCTION:	ENCLOSURE DESIGN: HERMETIC SEAL PER MIL-PRF-8805, SYMBOL 5		
CONTACT MATERIAL & CONFIGURATION	SMOOTH SILVER CONTACTS (GOLD PLATED)		
CIRCUIT CONFIGURATION	TERMINATION: LEADWIRES PER		
WEIGHT	2.5 OZ MAX		
EXPOSED METALS	CORROSION RESISTANT STAINLESS STEEL		
ELECTRICAL CHARACTERISTICS:	CONTACT ARRANGEMENT: S.P.D.T.		
ELECTRICAL RATINGS	VOLTAGE	RESISTIVE LOAD	INDUCTIVE LOAD
-SEA LEVEL	28 VDC	3 AMP	1 AMP
-70,000 FEET	28 VDC	3 AMP	1 AMP
DIELECTRIC STRENGTH & INSULATION RES (BASIC SWITCH)	DIELECTRIC STRENGTH (≈ 60 Hz FOR 5 SECONDS)		INSULATION RESISTANCE (500 VDC ±10%)
-BETWEEN TERMINALS AND EXPOSED NON-CURRENT CARRYING METAL	1000 V Rms, 500 μA (MAX LEAKAGE)		1000 Megohm MIN
-BETWEEN TERMINALS OF MUTUALLY INSULATED CIRCUITS	1000 V Rms, 500 μA (MAX LEAKAGE)		1000 Megohm MIN
-BETWEEN ALL UNCONNECTED TERMINALS OF THE SAME POLE	1000 V Rms, 500 μA (MAX LEAKAGE)		1000 Megohm MIN
SWITCH RESISTANCE	N/A		
RECOMMENDATION FOR USE IN APPL LESS THAN .5 amps AND/OR 12 volts	ACCEPTABLE		
MECHANICAL CHARACTERISTICS:	OPERATING FORCE: 9 OZ MAX		
RELEASE FORCE	2 OZ MIN		
OVERTRAVEL	.030 MIN		
MOUNTING STRENGTH	N/A		
ACTUATOR STRENGTH	3 LBS APPLIED IN A DIRECTION TO CAUSE SWITCH ACTUATION		
LIFE:	MECHANICAL LIFE: 25,000 MIN, PER MIL-PRF-8805/8		
ELECTRICAL LIFE AT FULL RATED LOAD	25,000 MIN, PER MIL-PRF-8805/8		
ENVIRONMENTAL:	TEMPERATURE RANGE: -54°C TO +125°C (-65°F TO +257°F)		
ALTITUDE RANGE	SEA LEVEL TO 70,000 FT		
SHOCK	PER MIL-PRF-8805 SYMBOL M-100g		
VIBRATION	PER MIL-PRF-8805 SYMBOL 2 - 10-2000 Hz & 15g PEAK		
MOISTURE RESISTANCE	PER MIL-PRF-8805		
THERMAL SHOCK	PER MIL-PRF-8805		
SALT SPRAY	PER MIL-PRF-8805		

P.T.C./CAD 20  
 DRAWN  
 C.S.L 21 NOV 03  
 CHECK  
 CMH 21 NOV 03  
 CHECK  
 CMH 02 APR 13  
 CHECK  
 CMH 02 APR 13  
 REVISIONS  
 A 0002202  
 C S L 21 NOV 03  
 B 0099314  
 R K A 02 APR 13  
 ISSUE 15  
 DRAWING NUMBER 38HM27  
 PHASE OF  
 RELEASE NO. PR-22227-T  
 REPLACES

THIS DRAWING COVERS A PROPRIETARY ITEM AND IS THE PROPERTY OF MICRO SWITCH, A DIVISION OF HONEYWELL. THIS DRAWING IS NOT TO BE COPIED OR USED WITHOUT THE APPROVAL OF MICRO SWITCH.

**MICRO SWITCH**  
a Honeywell Division

**SWITCH - ASSEMBLY**

CATALOG LISTING  
**38HM27**

ANSI Y14.5M-1982 APPLIES  
FED. MFG. CODE 91929

THIRD ANGLE PROJECTION

SCALE 2:1

DO NOT SCALE PRINT

UNLESS OTHERWISE SPECIFIED TOLERANCES ARE

ONE PLACE	(.0)	±.030
TWO PLACES	(.00)	±.015
THREE PLACES	(.000)	±.005
ANGLES		±

WEIGHT