

RJ45 connection: 22 mm, metal shiny, silver



product brand name	SIRIUS ACT
product designation	RJ45 connection
design of the product	RJ-45 Cat. 5e
product type designation	3SU1
product line	Metal, shiny, 22 mm
<b>Actuator</b>	
outer diameter of the actuating element	29.45 mm
<b>General technical data</b>	
protection class IP	IP65
<b>Ambient conditions</b>	
<ul style="list-style-type: none"> <li>ambient temperature during operation</li> <li>ambient temperature during storage</li> </ul>	<p>-25 ... +70 °C</p> <p>-40 ... +80 °C</p>
<b>Installation/ mounting/ dimensions</b>	
shape of the installation opening	round
mounting diameter	22.3 mm
mounting height	11.7 mm
installation width	29.45 mm
installation depth	28.35 mm
<b>Accessories</b>	
material of accessory	Metal
color of accessory	Silver
<b>Certificates/ approvals</b>	
General Product Approval	Declaration of Conformity



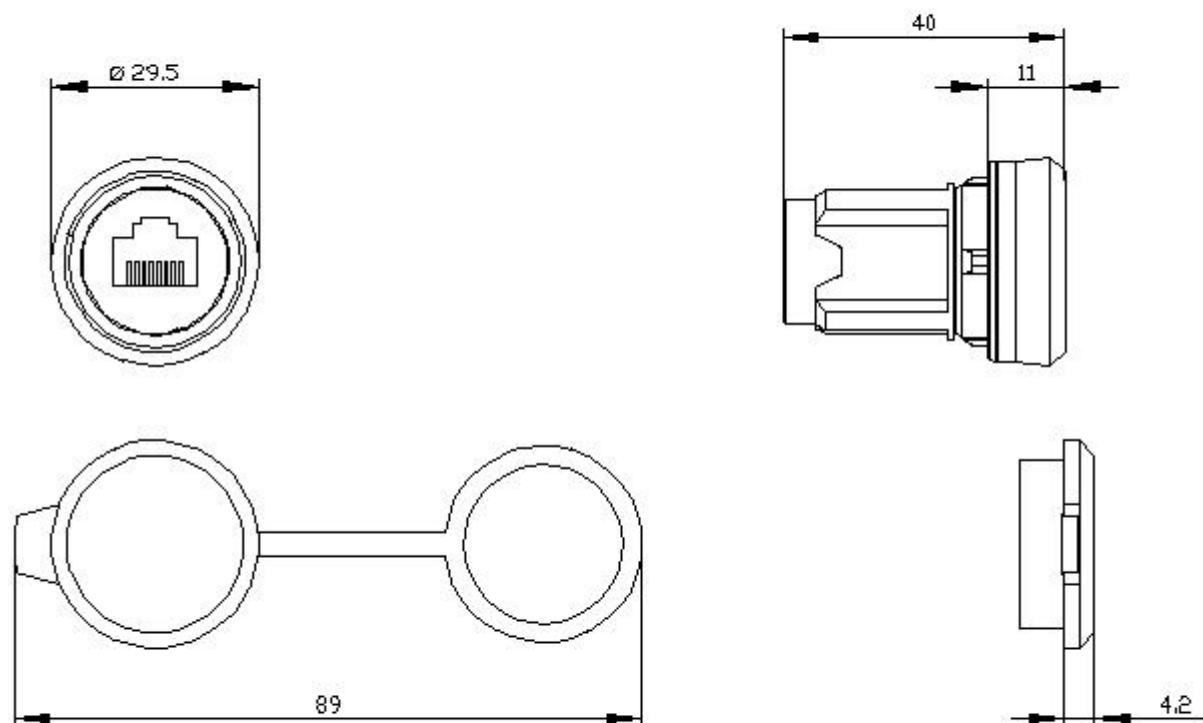
Declaration of Conformity	Test Certificates	Marine / Shipping
---------------------------	-------------------	-------------------

[Miscellaneous](#)

[Miscellaneous](#)

[Type Test Certificates/Test Report](#)



[Confirmation](#)**Further information****Information- and Downloadcenter (Catalogs, Brochures,...)**<https://www.siemens.com/ic10>**Industry Mall (Online ordering system)**<https://mall.industry.siemens.com/mall/en/en/Catalog/product?mlfb=3SU1950-0GB80-0AA0>**Cax online generator**<http://support.automation.siemens.com/WW/CAXorder/default.aspx?lang=en&mlfb=3SU1950-0GB80-0AA0>**Service&Support (Manuals, Certificates, Characteristics, FAQs,...)**<https://support.industry.siemens.com/cs/ww/en/ps/3SU1950-0GB80-0AA0>**Image database (product images, 2D dimension drawings, 3D models, device circuit diagrams, EPLAN macros, ...)**[http://www.automation.siemens.com/bilddb/cax\\_de.aspx?mlfb=3SU1950-0GB80-0AA0&lang=en](http://www.automation.siemens.com/bilddb/cax_de.aspx?mlfb=3SU1950-0GB80-0AA0&lang=en)

last modified:

6/4/2020

