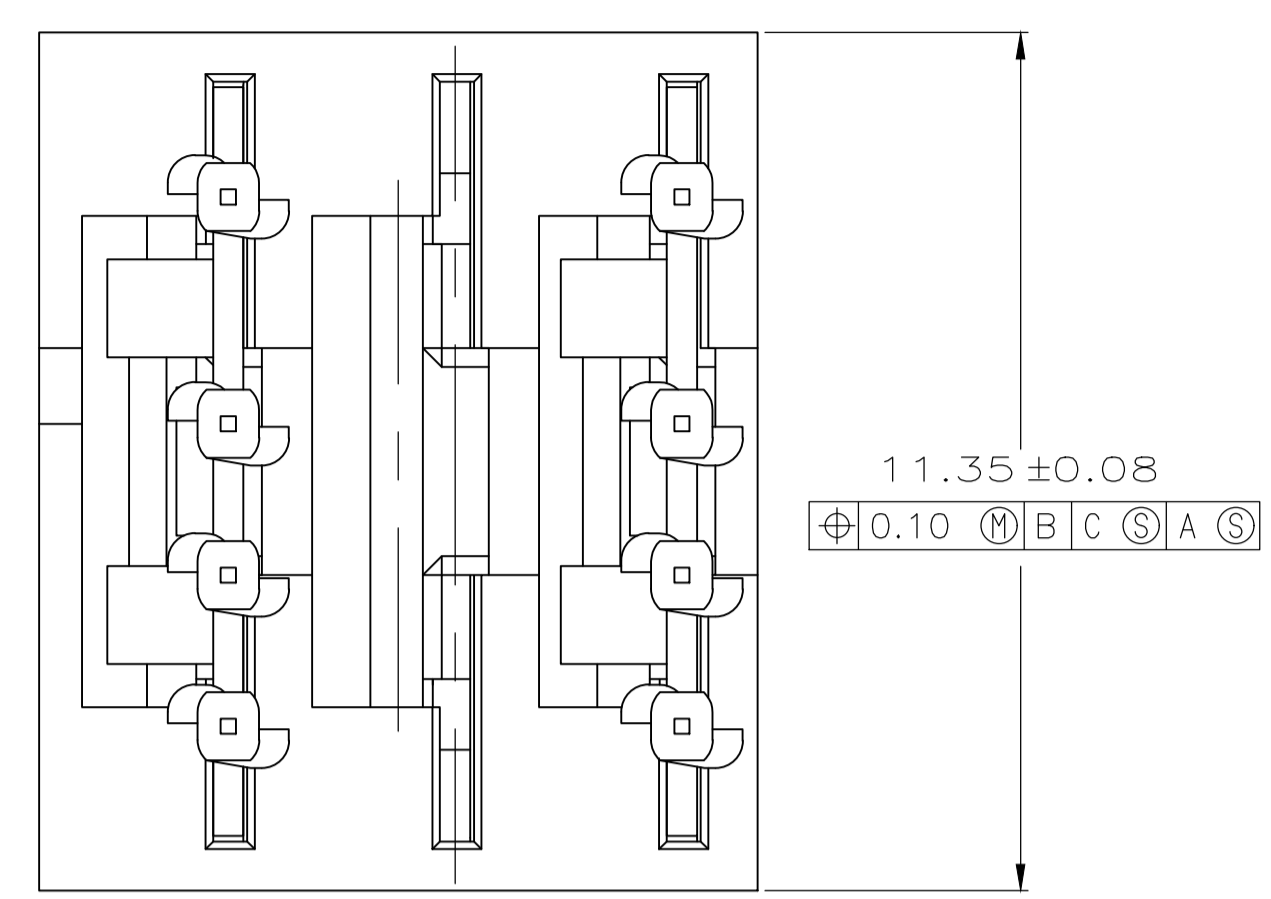
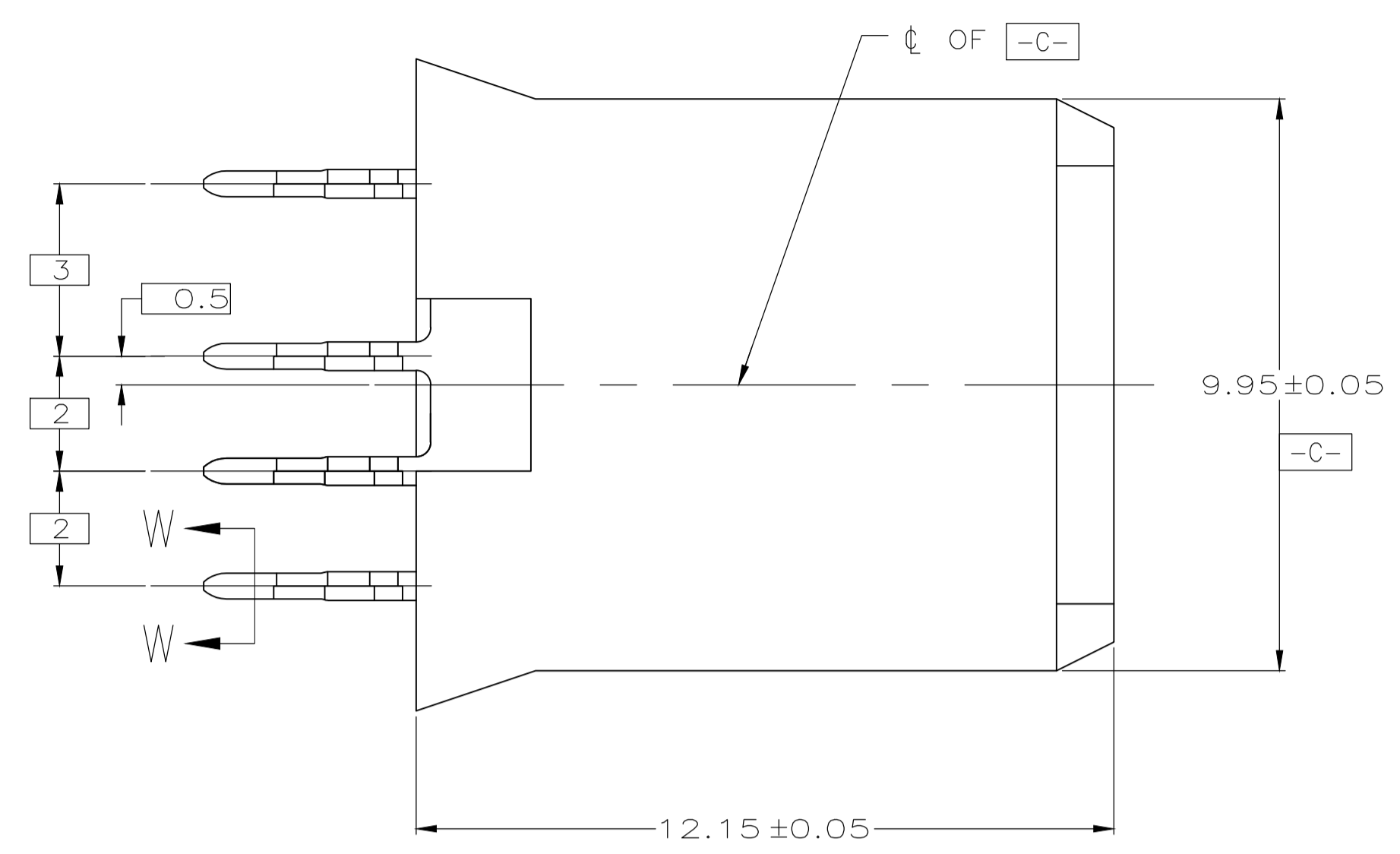


LOC		DIST		REVISIONS			
AD	00	REV	PER	DESCRIPTION	DATE	OWN	APVD
A		REV PER	ECO-20-004668		10AUG2020	ML	SZ

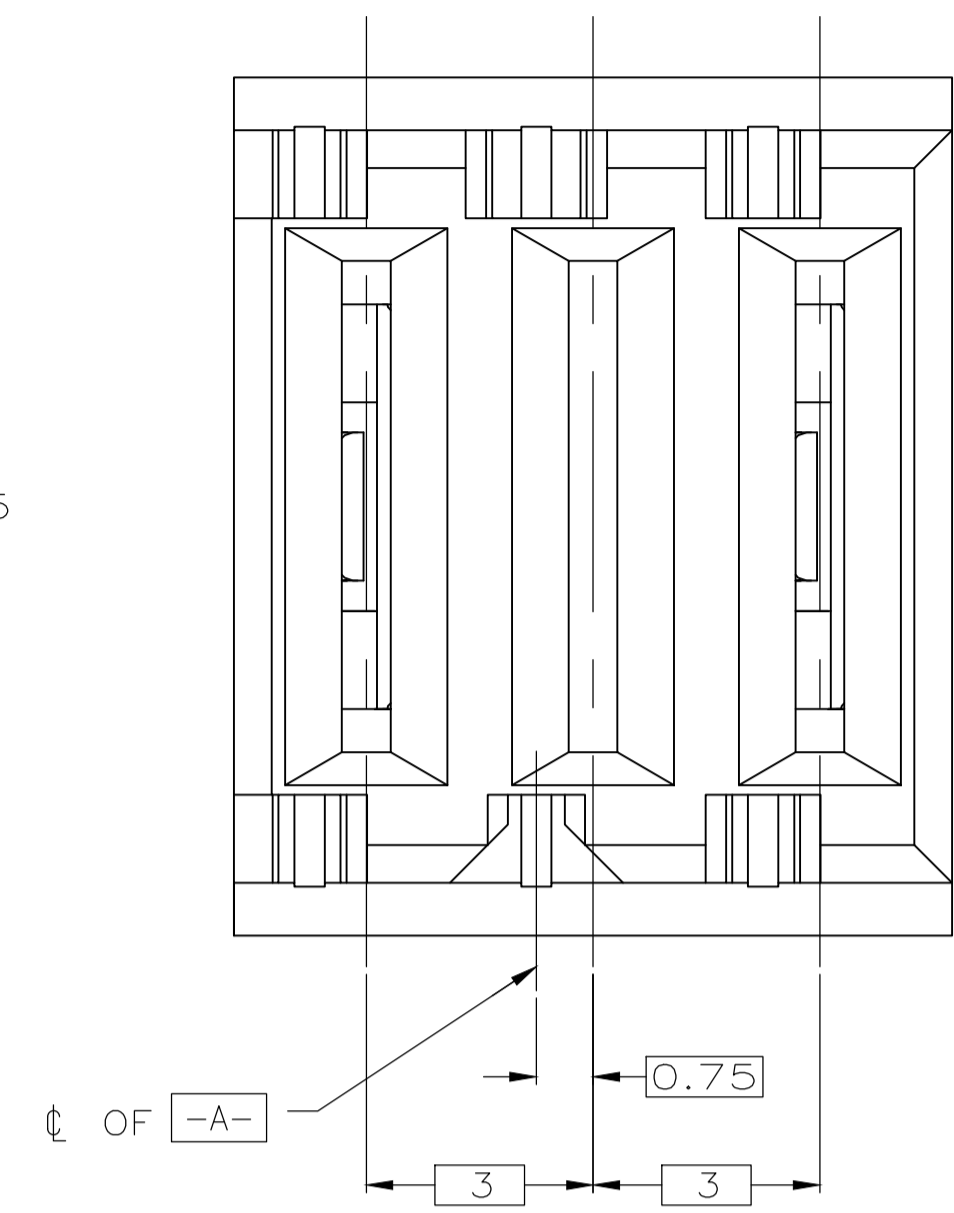


11.35 ± 0.08
 ⌀ 0.10 (M) B C S A S



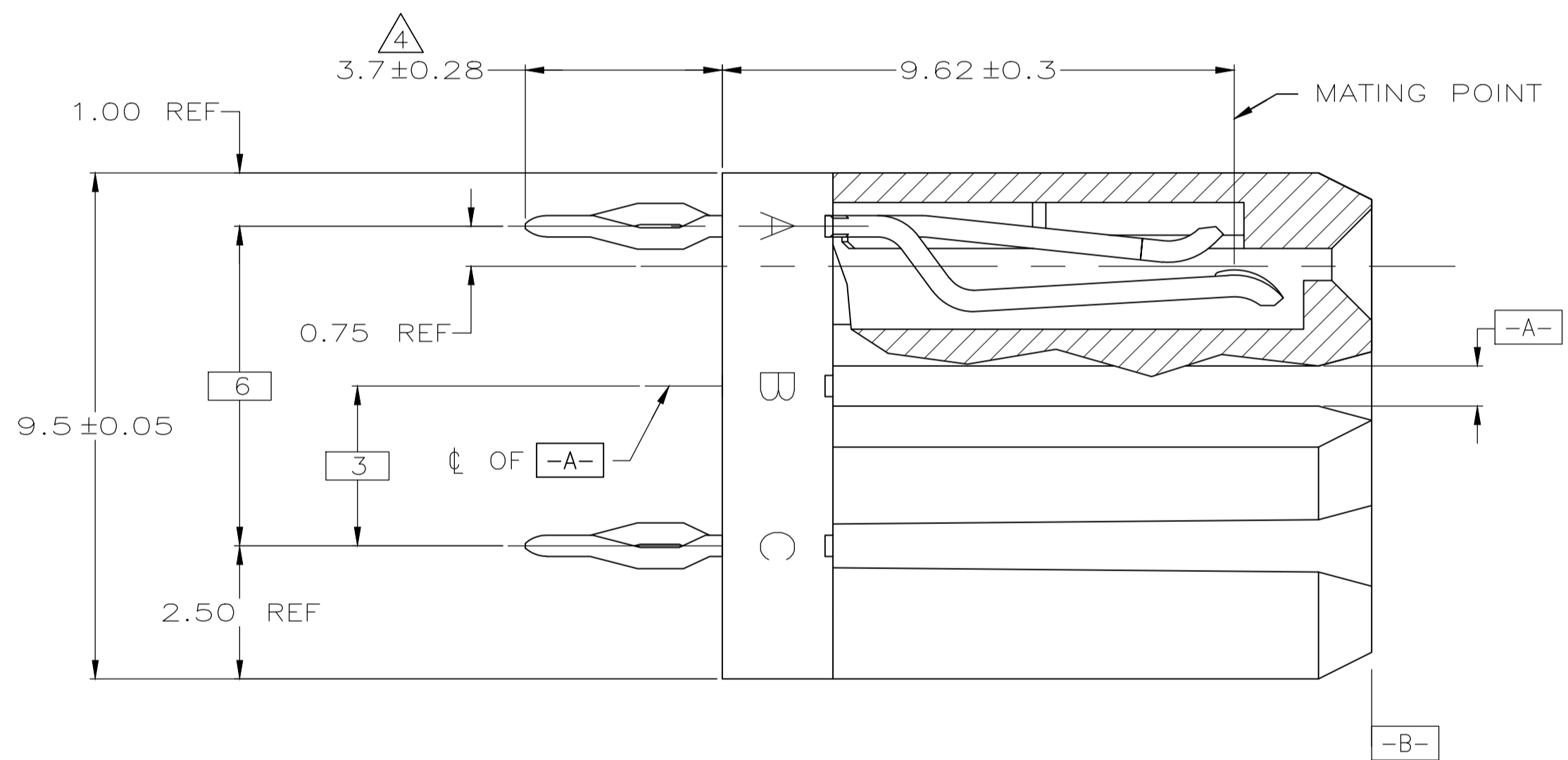
9.95 ± 0.05

12.15 ± 0.05



⌀ OF -A-

0.75



1.00 REF

3.7 ± 0.28

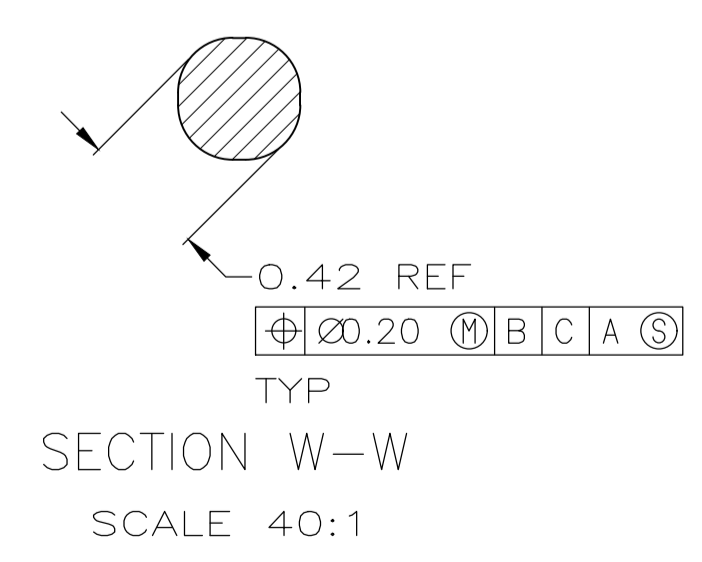
9.62 ± 0.3

MATING POINT

9.5 ± 0.05

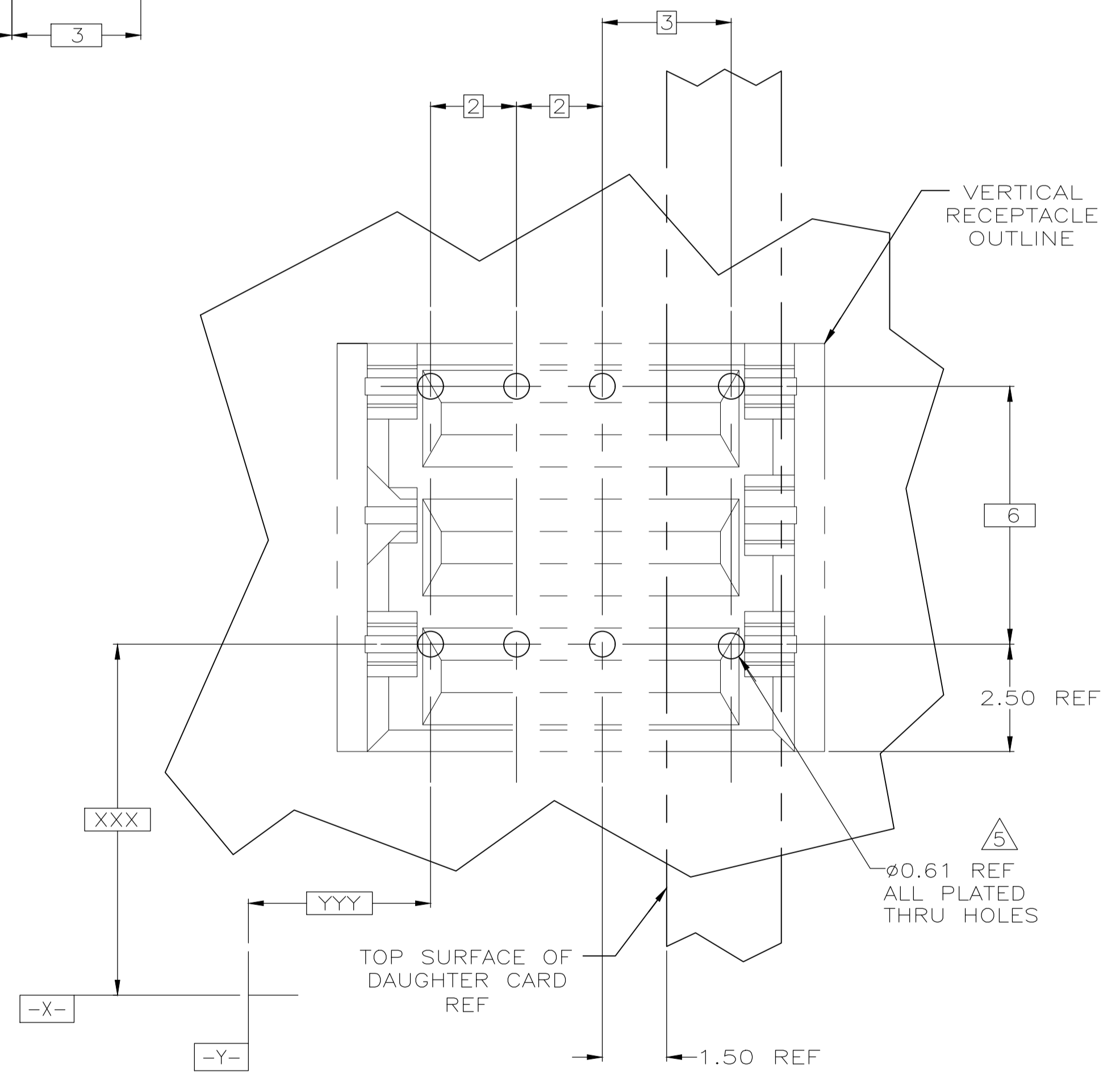
0.75 REF

2.50 REF



0.42 REF
 ⌀ 0.20 (M) B C A S

TYP
 SECTION W-W
 SCALE 40:1



RECOMMENDED PCB HOLE LAYOUT

- 1 MATERIAL: HOUSING: POLYESTER. COLOR: GREY. UL 94V-0. CONTACT: COPPER ALLOY.
- 2 FINISH: IN ACCORDANCE WITH PRODUCT SPECIFICATION 108-1651, GOLD PLATING OR EQUIVALENT PLATING ON PRODUCT CONTACT MATING AREA, AND MATTE TIN PLATING ON COMPLIANT PIN AREA, ALL OVER MATTE NICKEL UNDERPLATED. DETAIL PLEASE REFER TO PRODUCT SPECIFICATION 108-1651.
- 3 FINISH: CONTACT LUBRICATION WITH BELLCORE APPROVED LUBRICANT. TECHNICAL REFERENCE: TR-NWT-001217 ISSUE 1, SEPT 1992.
- 4 DIMENSION APPLIES AFTER CONNECTOR IS APPLIED TO P.C. BOARD.
- 5 REFERENCE APPLICATION SPEC 114-1103 FOR RECOMMENDED PLATED THRU HOLE DIAMETER AND PLATING THICKNESS.
- 6 CURRENT RATING 10A/CONTACT PER PRODUCT SPEC 108-1651.

5223984-1
 PART NUMBER

THIS DRAWING IS A CONTROLLED DOCUMENT.		DIN B. CARDO 130EC04	130EC04	Tyco Electronics Corporation Harrisburg, Pa 17105-3608
DIMENSIONS: mm		CHK R. PATTERSON 130EC04	130EC04	
TOLERANCES UNLESS OTHERWISE SPECIFIED:		APP'D R. PATTERSON 130EC04	NAME	ASSEMBLY, VERTICAL RECEPTACLE UNIVERSAL POWER MODULE
0. PLC ± - 1. PLC ± - 2. PLC ± 0.13 3. PLC ± - 4. PLC ± - ANGLES ± -		PRODUCT SPEC 108-1651	APPLICATION SPEC 114-1103	SIZE A1
MATERIAL 1		FINISH 2 3	WEIGHT -	CAGE CODE 00779
		CUSTOMER DRAWING		DRAWING NO 5223984
		SCALE 10:1		SHEET 1 OF 1