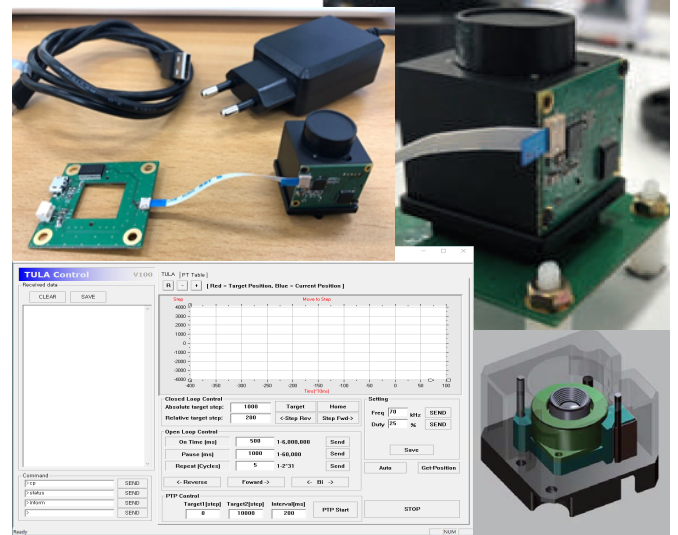
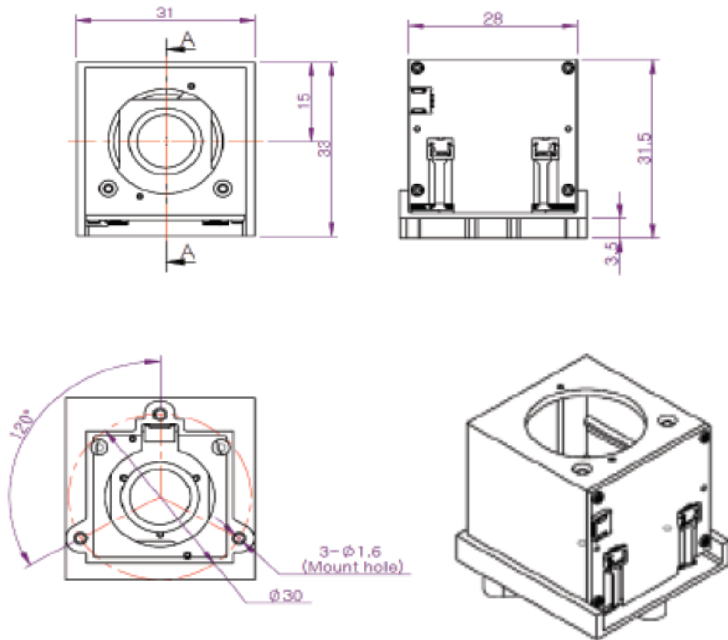


Micro Positioning Autofocus actuator modules with long Travel Ranges

USD400.00



✳ Include PC Program & Driver Board

SMALL complete, compact system with integrated controls and firmware - no external control board needed

SUPERIOR IMAGE QUALITY micron-precision lens movement with very low tilt

LOW VOLTAGE, LOW POWER USE runs on 5V DC input, holds focus with power off

SIMPLE SYSTEM INTEGRATION accepts high-level motion commands over standard serial interface (I2C or SPI)

FLEXIBLE, PRODUCTION-READY SYSTEM compatible with M8 to M12 lenses and standard imager formats

COST-EFFECTIVE SYSTEM SOLUTION single-lens system with embedded closed-loop drive circuit for high repeatability with low external processing requirements

APPLICATIONS Miniature, high-resolution cameras, Biometric systems, Infrared cameras, Inspection systems, Miniature video cameras, Projectors, Targeting systems

PT-AF06-M12 Developer's Kits

PT-AF06-M12 Specifications

Lens Type (Lens not Included)	M12×0.5mm
Lens Weight	<10grams
Travel Range (Full Stroke)	6.5mm±0.1mm
Housing Dimension	26×26×25mm
Max Image Sensor Area (Image sensor not Included)	17×17×3.5mm
Speed	>10mm/sec at 6mm
Resolution	0.1um
Repeatability	±5um
Position Accuracy	±40um
Static Tilt	±0.5°(30')
Dynamic Tilt	±0.1°(6') at 6mm
Decenter	±50um
Input Voltage	5V DC
Input Power	3W
Temperature	-10°C ~ +50°C
Mean Time before Failure	>2M Cycles
Weight of Module (without Lens)	<10 grams

Our AF Series allows us to quickly create a customized focus module to your more demanding OEM specifications. Our sales and engineering team will rapidly respond to your request.



PiezoElectric Technology Co.,Ltd

+82(2)3421-0373

piezo-tech@piezo-tech.com

www.piezo-tech.com