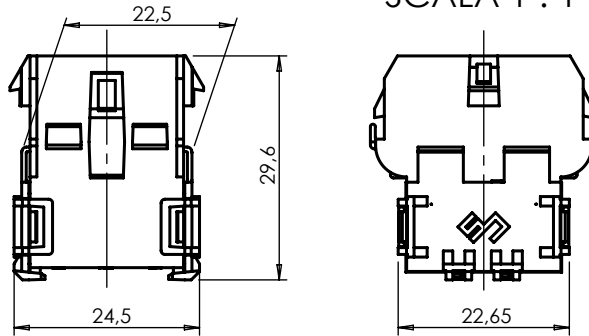
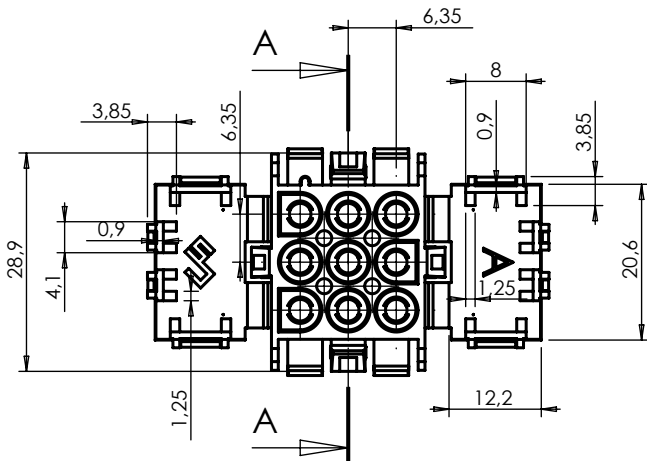
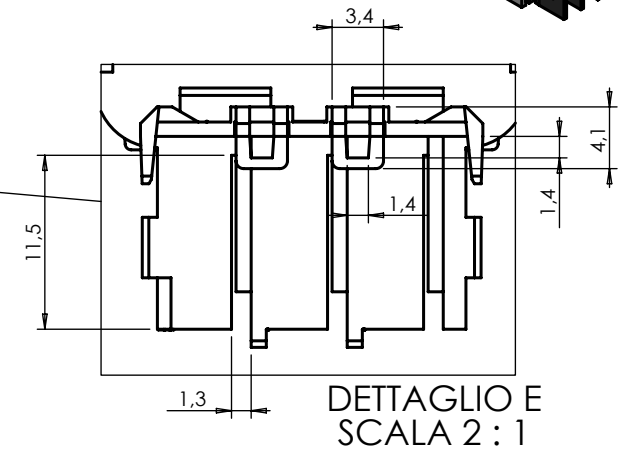
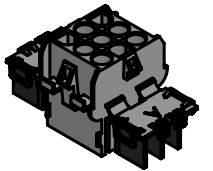
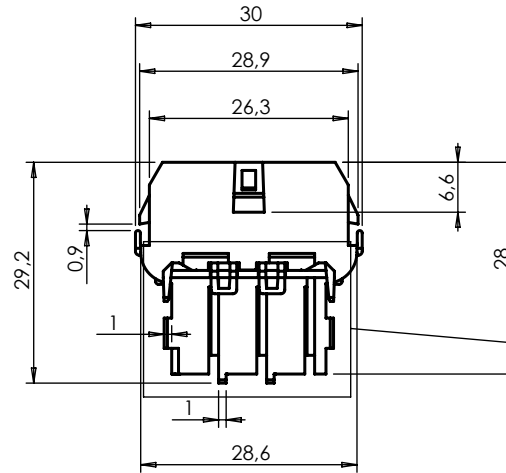
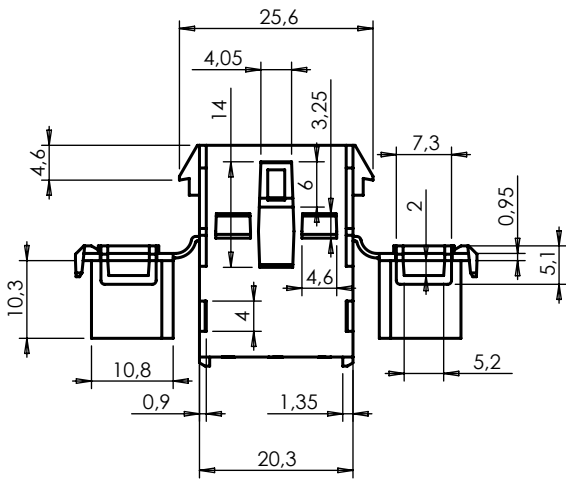
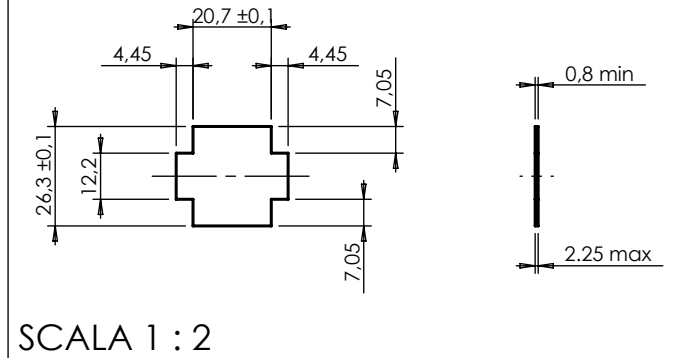


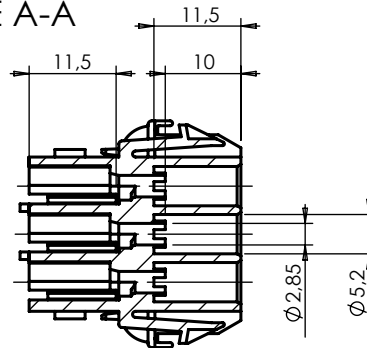
INGOMBRI CONNETTORE CHIUSO
SCALA 1 : 1



PARTICOLARE TAGLIO LAMIERA



SEZIONE A-A



DIMENSIONS WITHOUT TOLERANCES

A ±2°	0 - 6	±0.1
	6 - 30	±0.2
	> 30	±0.3

CS-LK09.8F	PA66 UL94 V-2
CS-LK09.8FV0	PA6/66 UL94 V-0
CS-LK09.8FSTY	PA46 UL94 V-2
CS-LK09.8FV0750NF	PA66 UL94 V-0 GWIT 775
CS-LK09.8F-G	PA6 UL94 V-2 GWIT 775
PART NUMBER	MATERIAL

1	Modificato smusso invito terminale 1.15x14° era 0.5x30°, alette secondary lock altezza 10.275 mm era 9.275 mm	06-08-2015
INDEX	MODIFICATION	DATE
 <p>CS S.r.l. 20063 CERNUSCO S/N - VIA COMO, 11 TEL +39.02.9210.7404 - FAX +39.02.9210.0217 http://www.csconnectors.com - e-mail: info@csconnectors.com</p>		
CHECKED BY	DATE	DESIGN UNITS
Stefano Galimberti	21-01-2015	METRIC
DRAWN BY	DATE	WEIGHT
Luca Viscardi	21-01-2015	
CAD REFER	SIZE	SCALE
Y:\dis\cs\lk\lk09.8m-f\cs-lk09.8f\14-11-2014\	A4	1:1
INDEX 0	19-01-2015	
BASE CODE	DESCRIPTION	
CS-LK09.8F	9 poles cap housing for LK series terminal diam. 2.12 mm	