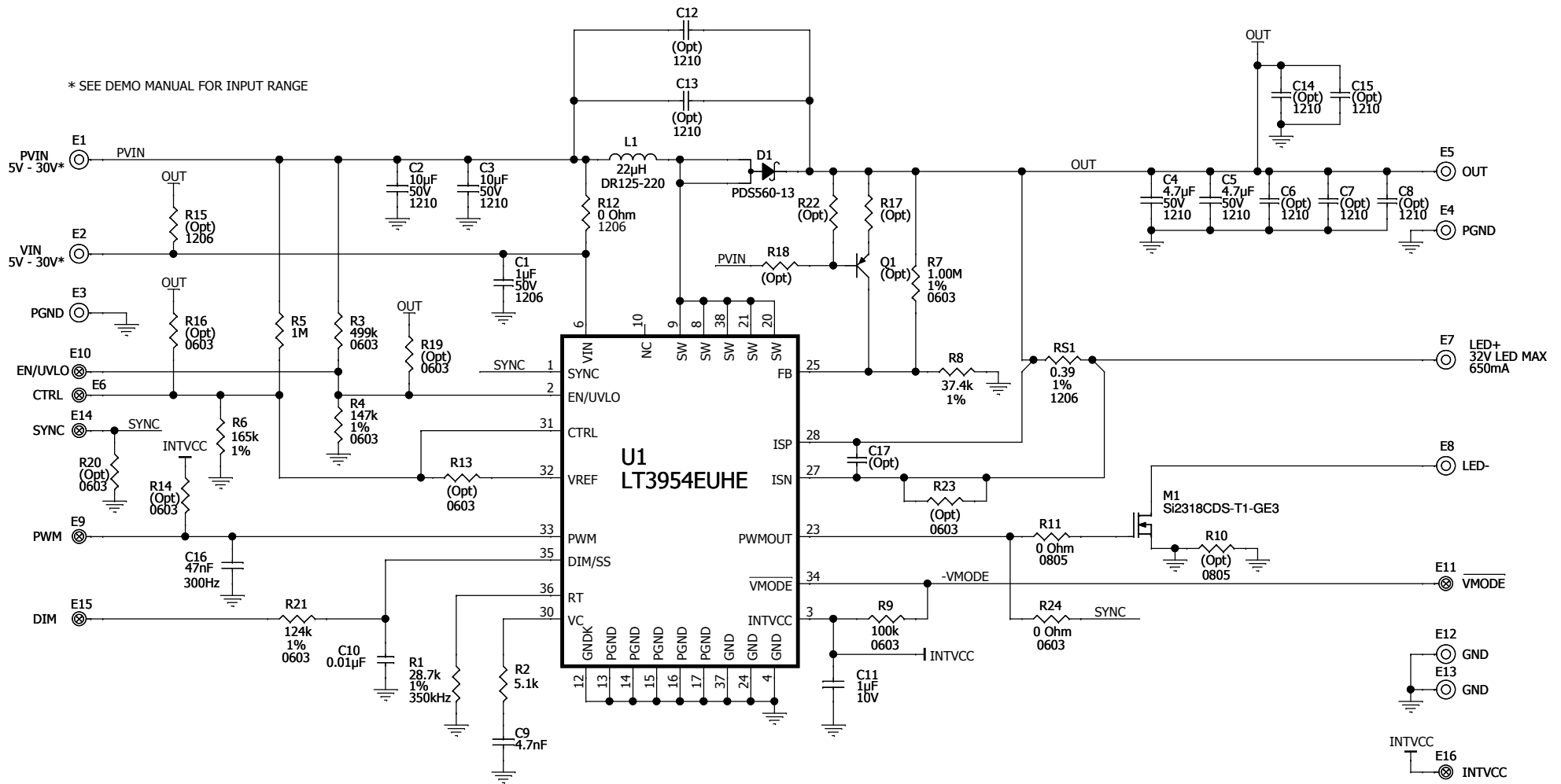


REVISION HISTORY


| ECO | REV | DESCRIPTION | APPROVED | DATE |
|-----|-----|-------------|-------------|--------------|
| - | 1 | PRODUCTION | K. SZOLUSHA | May 24, 2013 |



* SEE DEMO MANUAL FOR INPUT RANGE

NOTES: UNLESS OTHERWISE SPECIFIED.

1. RESISTORS ARE 0402 CASE SIZE.
2. CAPACITORS ARE 0603 CASE SIZE.

| CUSTOMER NOTICE | | APPROVALS | |  | 1630 McCarthy Blvd. Milpitas, CA 95035 Phone: (408)432-1900 www.linear.com Fax: (408)434-0507 LTC Confidential-For Customer Use Only | |
|--|--|--------------|----------|---|--|--|
| LINEAR TECHNOLOGY HAS MADE A BEST EFFORT TO DESIGN A CIRCUIT THAT MEETS CUSTOMER-SUPPLIED SPECIFICATIONS; HOWEVER, IT REMAINS THE CUSTOMER'S RESPONSIBILITY TO VERIFY PROPER AND RELIABLE OPERATION IN THE ACTUAL APPLICATION. COMPONENT SUBSTITUTION AND PRINTED CIRCUIT BOARD LAYOUT MAY SIGNIFICANTLY AFFECT CIRCUIT PERFORMANCE OR RELIABILITY. CONTACT LINEAR TECHNOLOGY APPLICATIONS ENGINEERING FOR ASSISTANCE. | | PCB DES. | RB | | TITLE: SCHEMATIC | 40VIN LED CONVERTER WITH INTERNAL PWM GENERATOR |
| C:\PADS PROJECTS\2079A(LT3954EUHE)\SCH\2079A_REV1.DSN | | APP ENG. | KEITH S. | SIZE | IC NO. LT3954EUHE | |
| THIS CIRCUIT IS PROPRIETARY TO LINEAR TECHNOLOGY AND SUPPLIED FOR USE WITH LINEAR TECHNOLOGY PARTS. | | SCALE = NONE | | DATE: May 24, 2013 | SHEET 1 OF 1 | |