

U1
LTC3709EUH

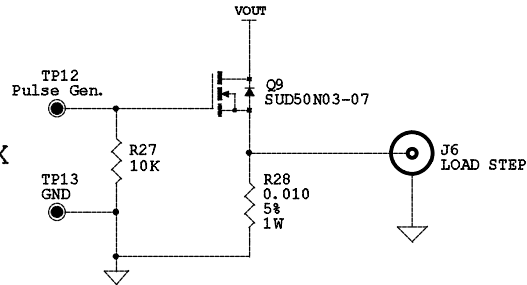
This circuit is proprietary to Linear Technology and supplied for use with Linear Technology parts. Customer Notice: Linear Technology has made a best effort to design a circuit that meets customer-supplied specifications; however, it remains the customer's responsibility to verify proper and reliable operation in the actual application. Component substitution and printed circuit board layout may significantly affect circuit performance or reliability. Contact Linear Applications Engineering for assistance.

Monday, January 24, 2005

Linear Technology Corp.		1630 McCarthy Blvd., Milpitas, CA 95035-7471 Phone: (408)434-1900 Fax: (408)434-0907	
Title: Single Output, Dual Phase Synchronous Buck Converter			
Size:	Document Number	Rev	
	DEMO CIRCUIT 793 A	2	
Date:	Sheet 1 of 2		

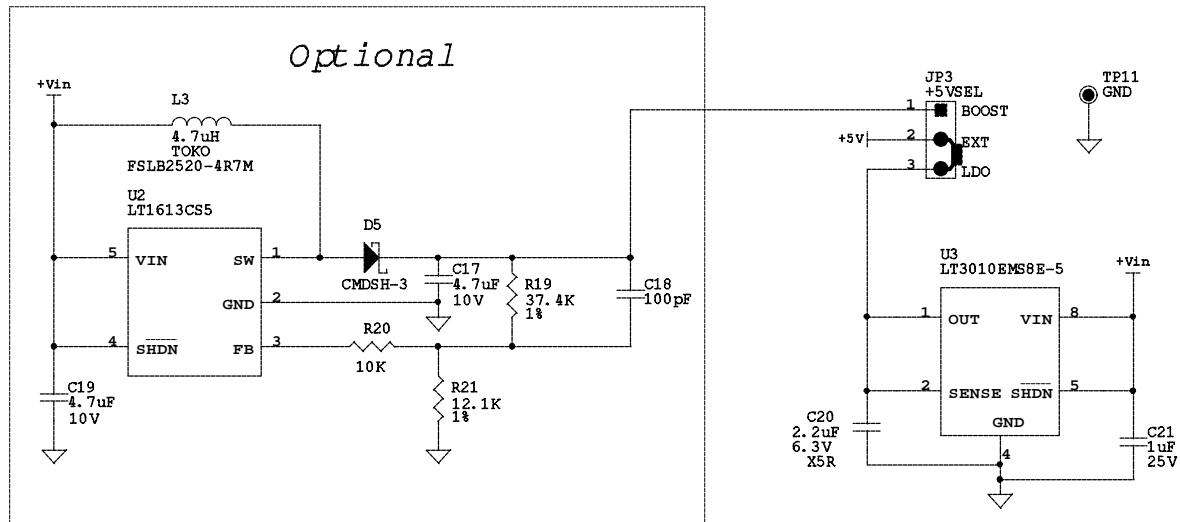
Dynamic Load

10mV/Amp
DUTY CYCLE = 5% MAX



5V Bias Circuits

Optional



This circuit is proprietary to Linear Technology and supplied for use with Linear Technology parts.
Customer Notice: Linear Technology has made a best effort to design a circuit that meets customer-supplied specifications; however, it remains the customers responsibility to verify proper and reliable operation in the actual application. Component substitution and printed circuit board layout may significantly affect circuit performance or reliability. Contact Linear Applications Engineering for assistance.

Monday, January 24, 2005

Linear Technology Corp.		1830 McCarthy Blvd., Milpitas, CA 95035-7417 Phone: (408)432-1900 Fax: (408)434-0507	
Title Single Output, Dual Phase Synchronous Buck Converter			
Size	Document Number DEMO CIRCUIT 793A	Rev 2	
Date:	Sheet 2 of 2		