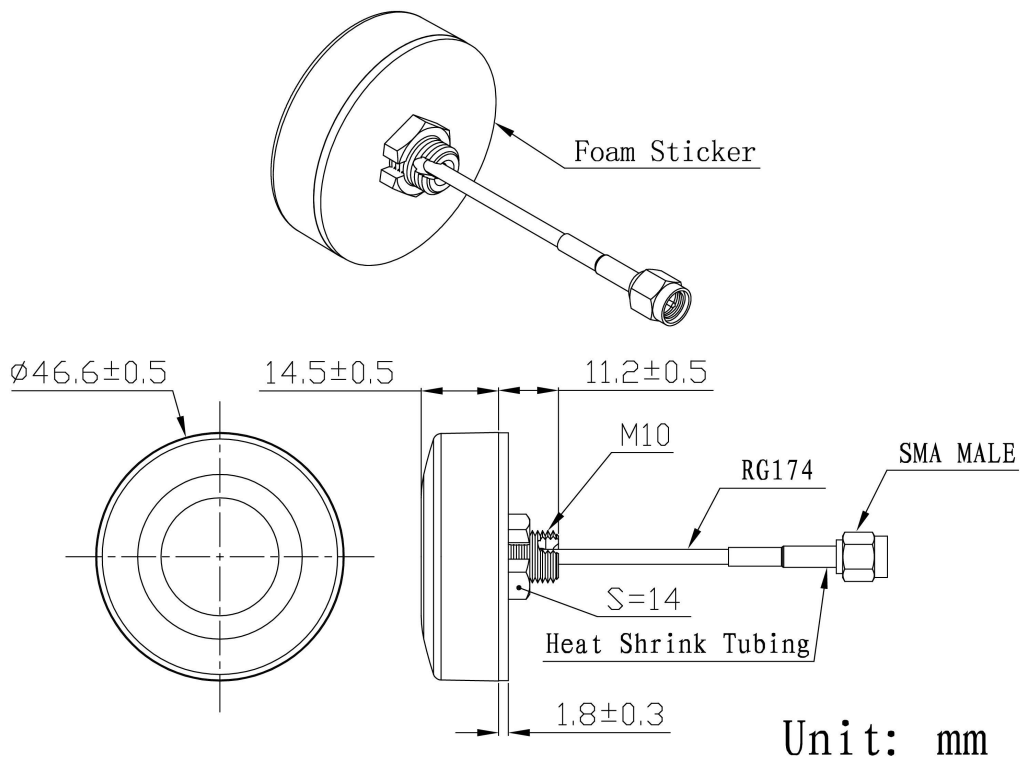


# GPS/GLONASS Active Antenna JCA003



## DIMENSIONS



**SPECIFICATIONS**

Item	Specifications	
Antenna	Center Frequency	1575-1602MHz
	Band Width	CF $\pm$ 5MHz
	Polarization	RHCP
	Gain	2dBic (Zenith)
	V.S.W.R	<1.5
	Impedance	50 $\Omega$
	Axial Ratio	3dB (max)
	Dimension	25*25*4mm
LNA	Gain	28 $\pm$ 2dB
	Noise Figure	<1.5dB
	Supply Voltage	2.2~5V DC
	Current Consumption	<15mA
	V.S.W.R	<2.0
Mechanical	Cable	RG174/3000mm
	Connector	SMA or others
	Radome Material	ABS
	Mounting Method	Screw
Environmental	Operating Temperature	-40 $^{\circ}$ C~+85 $^{\circ}$ C
	Relative Humidity	Up to 95%
	Ingress Protection	IP65~IP67 (exclude cable outlet)
	Vibration	10 to 55Hz with 1.5mm amplitude 2hours
	Environmentally Friendly	ROHS Compliant

**Radiation Pattern**

