

# Customer Information Sheet

DRAWING No.: M80-PM3 TO M80-PM4

IF IN DOUBT - ASK

©

NOT TO SCALE

THIRD ANGLE PROJECTION

ALL DIMENSIONS IN mm

**SPECIFICATIONS:**

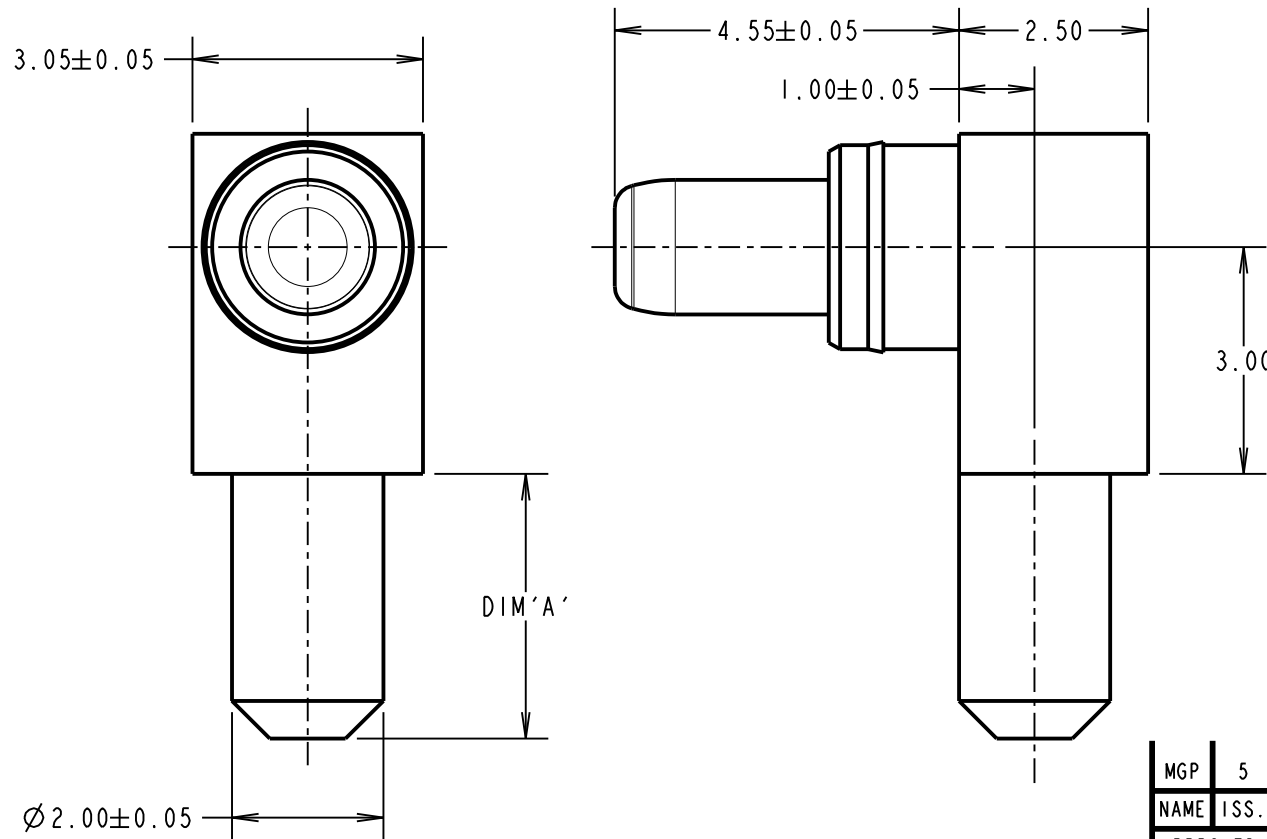
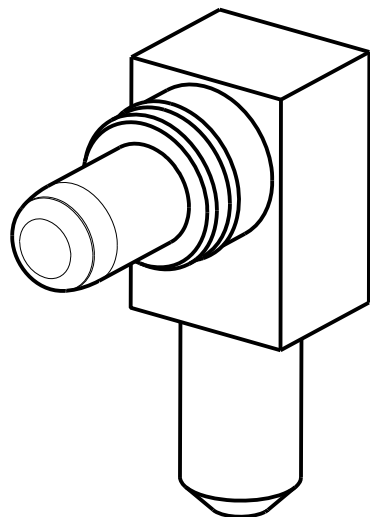
**MATERIALS:**  
 BODY = COPPER ALLOY

**FINISH:**  
 BODY = 0.76µm MIN GOLD OVER NICKEL

**ELECTRICAL:**  
 CONTACT RESISTANCE = 6mΩ MAX  
 CURRENT RATING = 40A

**MECHANICAL:**  
 DURABILITY = 500 OPERATIONS  
 INSERTION FORCE = 15N MAX  
 WITHDRAWAL FORCE = 0.5N MIN

**ENVIRONMENTAL:**  
 TEMPERATURE RANGE = -55°C TO +150°C



**NOTES:**

1. RECOMMENDED PCB HOLE SIZE =  $\varnothing 2.15 \pm 0.05$ mm.
2. FOR ALL OTHER ELECTRICAL/ MECHANICAL REQUIREMENTS, SEE COMPONENT SPECIFICATION C005XX (LATEST ISSUE).

PART No.	DIM 'A'
M80-PM3	3.50
M80-PM4	5.00

MGP	5	24.08.21	30795
NAME	ISS.	DATE	CN/CO
APPROVED: MGP			
CHECKED: RTP			
DRAWN: MARK G PLESTED			
CUSTOMER REF.:			
ASSEMBLY DRG:			

**HARWIN**

www.harwin.com  
 technical@harwin.com

THIS DRAWING AND ANY INFORMATION OR DESCRIPTIVE MATTER SET OUT HEREON ARE CONFIDENTIAL AND COPYRIGHT PROPERTY OF THE HARWIN GROUP AND MUST NOT BE DISCLOSED, LOANED, COPIED OR USED FOR MANUFACTURING, TENDERING OR FOR ANY OTHER PURPOSE WITHOUT THEIR WRITTEN PERMISSION.

**TOLERANCES**  
 X. = ±1mm  
 X.X = ±0.50mm  
 X.XX = ±0.20mm  
 X.XXX = ±0.01mm  
 ANGLES = ±5°  
 UNLESS STATED

**MATERIAL:**  
 SEE ABOVE

**FINISH:**  
 SEE ABOVE

**S/AREA:** mm<sup>2</sup>

**TITLE:** DATAMATE MIX-TEK  
 HIGH POWER CONTACT  
 MALE HORIZONTAL PC-TAIL

**DRAWING NUMBER:**  
 M80-PM3 TO M80-PM4

SHT  
 2 OF 2