

	Date	16-Jun-2020	SPECIFICATION	OLE WOLFF
	Page	1 / 8		www.owolff.com
	CN	P/N: OWR-1340T-38A		Revision: 00



PRELIMINARY SPECIFICATION

Receiver

Part Number	OWR-1340T-38A
Note	This item was compliance with the following requirements: 1. RoHS directive 2. REACH
Customer P/N	

Ole Wolff	Signature / Date	Prepared	Checked	Approved
		Allen Wang 2020.06.16		Nathan Chen 2020.06.16

Customer	Signature / Date	Confirmation		

REVISION NOTES:

Date	Rev.	Description of Revision
2020.06.16	00	Initial version

OLE WOLFF ELEKTRONIK A/S Roedengvej 25 4180 Soroe Denmark TEL: +45 57833830 FAX: +45 57820019	OLE WOLFF ELECTRONICS INC. 1525 McCarthy Blvd, Suite 1093 Milpitas, Ca 95035 USA TEL: +1 408 888 8413	OLEWOLFF ELEKTRONIK GmbH Schulstrasse 15A. DE-25451 Quickborn. Germany TEL: +49 (0) 4106 765900 FAX: +49 (0) 4106 627297	OLEWOLFF ELECTRONICS 3 Bedford Street, Woburn, Bedfordshire MK17 9QB, ENGLAND TEL: +44 (0) 1525 290755 FAX: +44 (0) 1525 290855	OLE WOLFF ELEKTRONIK Yliopistonkatu 26 (P.O.BOX 257) FI-40101 Jyväskylä Finland TEL: +358 14 338 3050 FAX: +358 14 338 3059	OLE WOLFF (ASIA) LTD. Unit B, 19/F., Bold Win Ind. Bldg., No. 16-18 Wah Sing St., Kwai Chung, N.T., H.K. TEL: +852 2424 3274 FAX: +852 2424 2219	OLE WOLFF LTD. 5 Floor, Block G, WenTao Industrial Park, YingRenShi, Bao'an District, Shenzhen City, Guangdong Province, PRC. TEL: +86 755 82612542 TEL: +86 755 26406156
---	---	--	---	--	--	---

	Date	16-Jun-2020	SPECIFICATION	OLE WOLFF
	Page	2 / 8		www.owolff.com
	CN	P/N: OWR-1340T-38A		Revision: 00

1. SCOPE

THIS SPECIFICATION IS APPLIED FOR A DYNAMIC RECEIVER FOR HEADPHONE.

2. TEST CONDITIONS

TEMPERATURE : 18°C ~ 22°C

HUMIDITY : 65% +/-5% (R.H.)

ATMOSPHERE : 860 ~ 1060 hPa

3. GENERAL REQUIREMENTS

OPERATING TEMPERATURE RANGE: -25° C ~ 60° C

STORAGE TEMPERATUR RANGE: -25° C ~ 60° C

4. MECANICAL LAYOUT & DIMENSIONS

DIMENSIONS : SHOWN IN FIGURE.5

NET WEIGHT: 0.82g± 10%

5. ELECTRICAL AND ACOUSTICAL CHARACTERISTICS

1	Impedance in free field	38Ω ± 10% at 1000Hz with 0.195V/1mW
2	Sound Pressure Level in free field	84.0dB at 1000Hz with input 0.195V/1mW (0dB=20μPa) Measure setup as shown in Fig.1 Bin A: 87dB~85dB, dot mark = Red; Bin B: 84.99dB~83dB, dot mark =Blue; Bin C: 82.99dB~81dB, dot mark = Black;
3	Resonance frequency in free field	200Hz± 20% with input 0.195V/1mW
4	Frequency response in free field	Typical performance as shown in Fig.4. (Test input 0.195V/1mW)
5	Total Harmonic Distortion in free field	THD as shown in Fig.5 (Test input 0.195V/1mW)
6	Input Power	(Nom./Max.): 2mW /5mW
7	Rub & Buzz	Speaker must be free of audible noise at 0.276v sine wave between 50Hz-10KHz

OLE WOLFF ELEKTRONIK A/S Roedengvej 25 4180 Soroe Denmark TEL: +45 57833830 FAX: +45 57820019	OLE WOLFF ELECTRONICS INC. 1525 McCarthy Blvd, Suite 1093 Milpitas, Ca 95035 USA TEL: +1 408 888 8413	OLEWOLFF ELEKTRONIK GmbH Schulstrasse 15A. DE-25451 Quickborn. Germany TEL: +49 (0) 4106 765900 FAX: +49 (0) 4106 627297	OLEWOLFF ELECTRONICS 3 Bedford Street, Woburn, Bedfordshire MK17 9QB, ENGLAND TEL: +44 (0) 1525 290755 FAX: +44 (0) 1525 290855	OLE WOLFF ELEKTRONIK Yliopistonkatu 26 (P.O.BOX 257) FI-40101 Jyväskylä Finland TEL: +358 14 338 3050 FAX: +358 14 338 3059	OLE WOLFF (ASIA) LTD. Unit B, 19/F., Bold Win Ind. Bldg., No. 16-18 Wah Sing St., Kwai Chung, N.T., H.K. TEL: +852 2424 3274 FAX: +852 2424 2219	OLE WOLFF LTD. 5 Floor, Block G, WenTao Industrial Park, YingRenShi, Bao'an District, Shenzhen City, Guangdong Province, PRC. TEL: +86 755 82612542 TEL: +86 755 26406156
---	---	--	---	--	--	---

	Date	16-Jun-2020	SPECIFICATION	OLE WOLFF
	Page	3 / 8		www.owolff.com
	CN	P/N: OWR-1340T-38A		Revision: 00

6. RELIABILITY TEST REQUIREMENTS

Sensitivity difference at 1000Hz shall be within $\pm 3\text{dB}$ from initial value after each test. The measurement shall be done after minimum 1hour and maximum 2 hours with conditioning of $18^\circ\text{C} \sim 25^\circ\text{C}$.

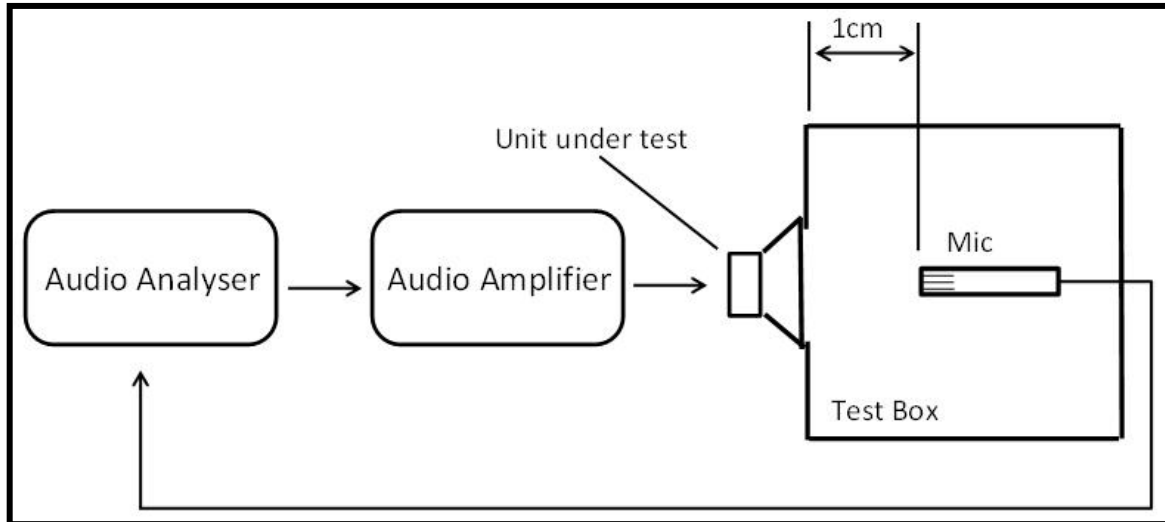
No.	ITEMS	TEST CONDITION	
1	HIGH TEMPERATURE TEST STORAGE	Temperature	$60 \pm 3^\circ\text{C}$
		Duration	96hrs
2	LOW TEMPERATURE TEST STORAGE	Temperature	$-25 \pm 3^\circ\text{C}$
		Duration	96hrs
3	HIGH TEMPERATURE HUMIDITY TEST	Temperature	$40 \pm 3^\circ\text{C}$
		Humidity	90%--95%(RH)
		Duration	96hrs
4	DROP TEST	Height	With protector grill 0.75m to concrete
		Total times	10 times
5	TEMPERATURE CYCLE TEST	Temperature	$-25 \pm 3^\circ\text{C} \leftrightarrow 60 \pm 3^\circ\text{C}$
		Duration	2hours, 5mins, 2hours
		Cycles	5 cycles
6	SHORT TERM MAX INPUT TEST	Test signal and Temperature	Pink noise / 25°C
		Test input power	5mW
		Cycles	1sec On, 1min Off, 60cycles
7	LONG TERM MAX INPUT TEST	Test signal and Temperature	Pink noise / 25°C
		Test input power	2mW
		Cycles	1min On/ 2min Off, 10 cycles
8	RATED POWER TEST	Test signal and Temperature	Pink Noise / 25°C
		Test input power	2mW/0.276Vrms
		Duration	96hrs

OLE WOLFF ELEKTRONIK A/S Roedengvej 25 4180 Soroe Denmark TEL: +45 57833830 FAX: +45 57820019	OLE WOLFF ELECTRONICS INC. 1525 McCarthy Blvd, Suite 1093 Milpitas, Ca 95035 USA TEL: +1 408 888 8413	OLEWOLFF ELEKTRONIK GmbH Schulstrasse 15A. DE-25451 Quickborn. Germany TEL: +49 (0) 4106 765900 FAX: +49 (0) 4106 627297	OLEWOLFF ELECTRONICS 3 Bedford Street, Woburn, Bedfordshire MK17 9QB, ENGLAND TEL: +44 (0) 1525 290755 FAX: +44 (0) 1525 290855	OLE WOLFF ELEKTRONIK Yliopistonkatu 26 (P.O.BOX 257) FI-40101 Jyväskylä Finland TEL: +358 14 338 3050 FAX: +358 14 338 3059	OLE WOLFF (ASIA) LTD. Unit B, 19/F, Bold Win Ind. Bldg., No. 16-18 Wah Sing St., Kwai Chung, N.T., H.K. TEL: +852 2424 3274 FAX: +852 2424 2219	OLE WOLFF LTD. 5 Floor, Block G, WenTao Industrial Park, YingRenShi, Bao'an District, Shenzhen City, Guangdong Province, PRC. TEL: +86 755 82612542 TEL: +86 755 26406156
---	---	--	---	--	---	---

	Date	16-Jun-2020	SPECIFICATION	OLE WOLFF
	Page	4 / 8		www.owolff.com
	CN	P/N: OWR-1340T-38A		Revision: 00

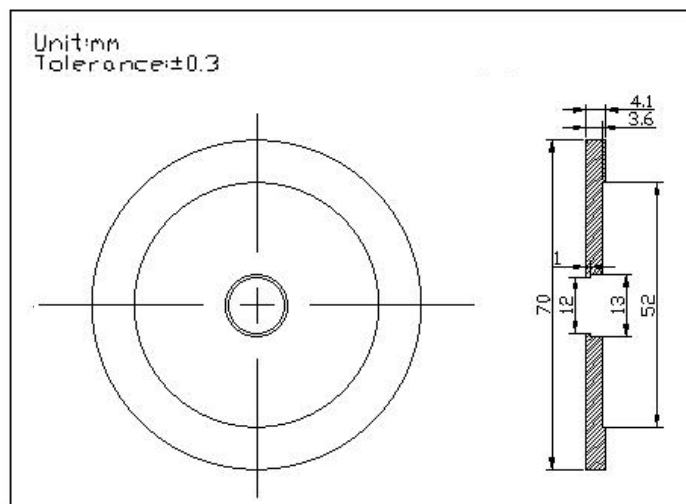
7. TEST SET UP AND TEST JIG FOR FREE FIELD

7.1 FREE FIELD MEASUREMENT CIRCUIT FOR DYNAMIC SPEAKER (Fig.1)



NO	EQUIPMENT	REMARKS
1	UNIT UNDER TEST	RECEIVER
2	TEST BOX	OLE WOLFF STANDARD BOX
3	AUDIO POWER AMPLIFIER	LEM DPA300
4	ANALYZER	LISTEN SOUNDCHECK

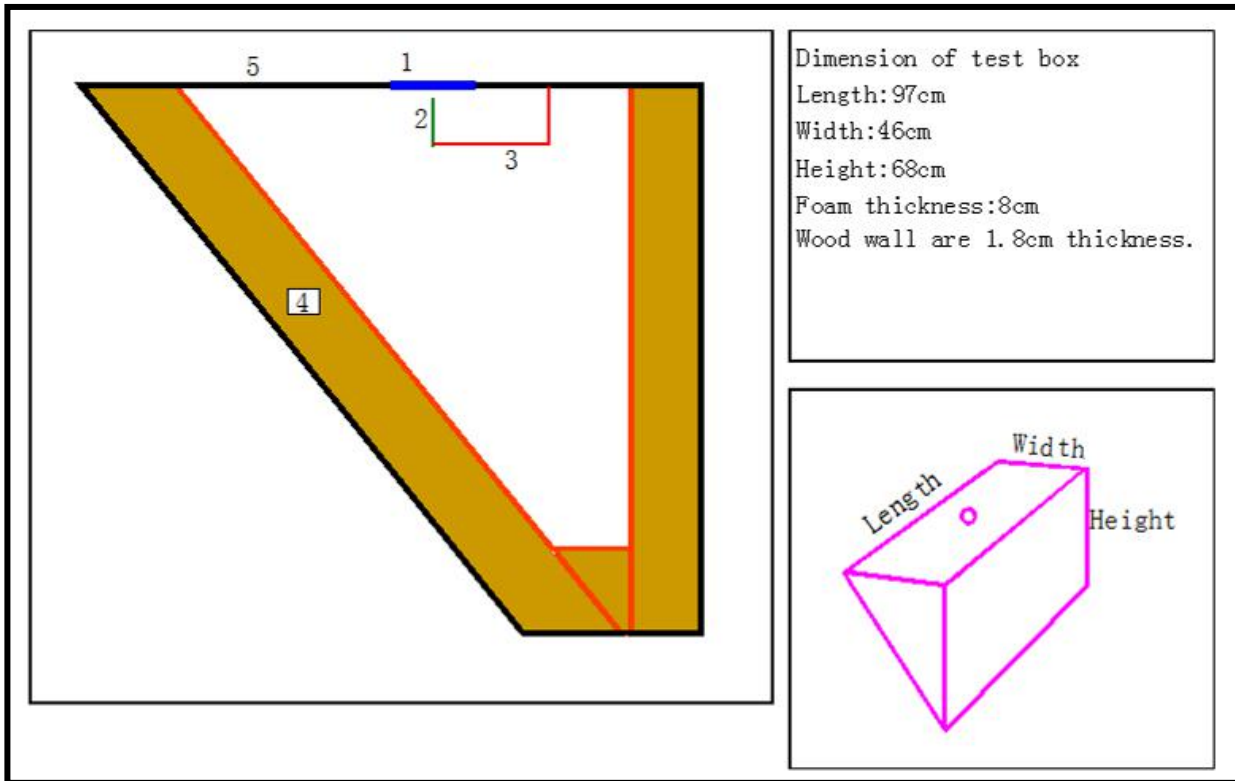
7.2 FREE FIELD TEST JIG (Fig.2)



<p>OLE WOLFF ELEKTRONIK A/S Roedengvej 25 4180 Soroe Denmark</p> <p>TEL: +45 57833830 FAX: +45 57820019</p>	<p>OLE WOLFF ELECTRONICS INC. 1525 McCarthy Blvd, Suite 1093 Milpitas, Ca 95035 USA</p> <p>TEL: +1 408 888 8413</p>	<p>OLEWOLFF ELEKTRONIK GmbH Schulstrasse 15A. DE-25451 Quickborn. Germany</p> <p>TEL: +49 (0) 4106 765900 FAX: +49 (0) 4106 627297</p>	<p>OLEWOLFF ELECTRONICS 3 Bedford Street, Woburn, Bedfordshire MK17 9QB, ENGLAND</p> <p>TEL: +44 (0) 1525 290755 FAX: +44 (0) 1525 290855</p>	<p>OLE WOLFF ELEKTRONIK Yliopistonkatu 26 (P.O.BOX 257) FI-40101 Jyväskylä Finland</p> <p>TEL: +358 14 338 3050 FAX: +358 14 338 3059</p>	<p>OLE WOLFF (ASIA) LTD. Unit B, 19/F., Bold Win Ind. Bldg., No. 16-18 Wah Sing St., Kwai Chung, N.T., H.K.</p> <p>TEL: +852 2424 3274 FAX: +852 2424 2219</p>	<p>OLE WOLFF LTD. 5 Floor, Block G, WenTao Industrial Park, YingRenShi, Bao'an District, Shenzhen City, Guangdong Province, PRC.</p> <p>TEL: +86 755 82612542 TEL: +86 755 26406156</p>
---	---	--	---	---	--	---

	Date	16-Jun-2020	SPECIFICATION	OLE WOLFF
	Page	5 / 8		www.owolff.com
	CN	P/N: OWR-1340T-38A		Revision: 00

7.3 FREE FIELD TEST BOX: OWBOX (Fig.3)



NO.	EQUIPMENT	REMARKS
1	TEST JIG	Fig.2
2	MICROPHONE	1/2 INCH MICROPHONE (46AF)
3	MICROPHONE HOLDER	
4	DAMPING MATERIAL	FOAM RUBBER
5	BOX	WOOD
6	TEST DISTANCE MEASURED FROM FRONT OF SPEAKER FRAME TO FRONT OF TEST MICROPHONE	1cm

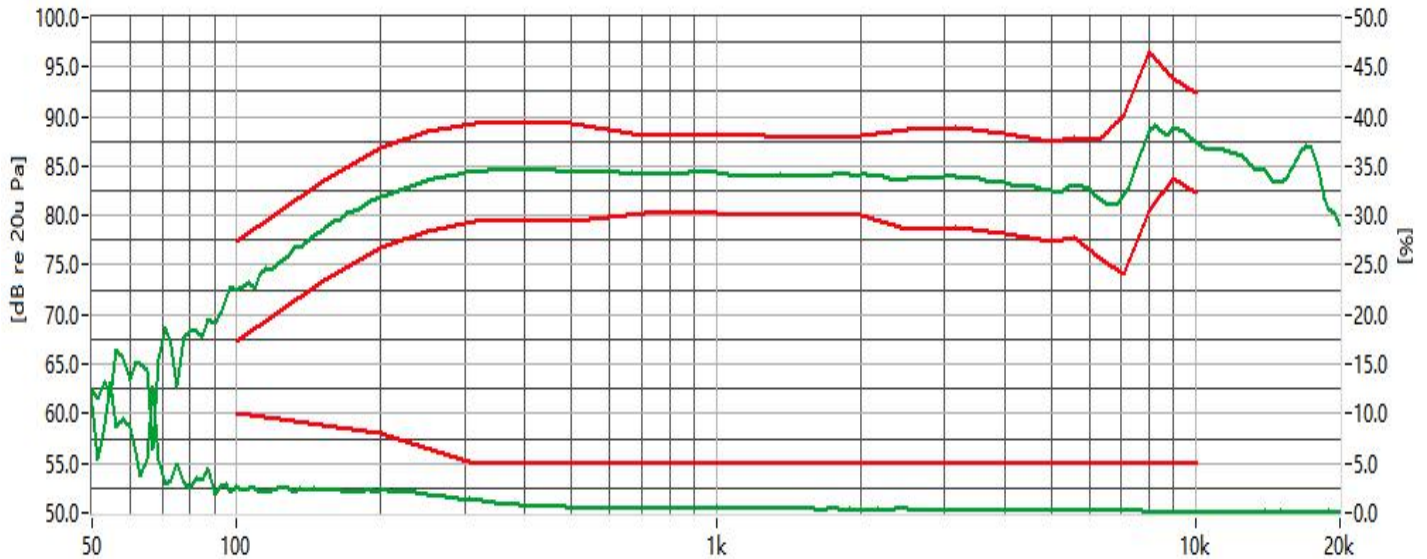
OLE WOLFF ELEKTRONIK A/S Roedengvej 25 4180 Soroe Denmark TEL: +45 57833830 FAX: +45 57820019	OLE WOLFF ELECTRONICS INC. 1525 McCarthy Blvd, Suite 1093 Milpitas, Ca 95035 USA TEL: +1 408 888 8413	OLEWOLFF ELEKTRONIK GmbH Schulstrasse 15A. DE-25451 Quickborn. Germany TEL: +49 (0) 4106 765900 FAX: +49 (0) 4106 627297	OLEWOLFF ELECTRONICS 3 Bedford Street, Woburn, Bedfordshire MK17 9QB, ENGLAND TEL: +44 (0) 1525 290755 FAX: +44 (0) 1525 290855	OLE WOLFF ELEKTRONIK Yliopistonkatu 26 (P.O.BOX 257) FI-40101 Jyväskylä Finland TEL: +358 14 338 3050 FAX: +358 14 338 3059	OLE WOLFF (ASIA) LTD. Unit B, 19/F., Bold Win Ind. Bldg., No. 16-18 Wah Sing St., Kwai Chung, N.T., H.K. TEL: +852 2424 3274 FAX: +852 2424 2219	OLE WOLFF LTD. 5 Floor, Block G, WenTao Industrial Park, YingRenShi, Bao'an District, Shenzhen City, Guangdong Province, P.R.C. TEL: +86 755 82612542 TEL: +86 755 26406156
---	---	--	---	--	--	---

	Date	16-Jun-2020	SPECIFICATION	OLE WOLFF
	Page	6 / 8		www.owolff.com
	CN	P/N: OWR-1340T-38A		Revision: 00

8. STANDARD FREQUENCY RESPONSE CURVE & STANDARD THD

8.1 FREE FIELD TEST (Fig.4)

Test input 0.195V, 10mm in free filed.



FR Mask

F. POINT	100	150	200	250	315	400	500	710	1k	1.6k	2k	Hz
Upper limit	+5	+5	+5	+5	+5	+5	+5	+4	+4	+4	+4	dB
Lower limit	-5	-5	-5	-5	-5	-5	-5	-4	-4	-4	-4	dB

F. POINT	2.5k	3.15k	4k	4.5k	5k	5.6k	6.3k	7.1k	8k	9k	10k	Hz
Upper limit	+5	+5	+5	+5	+5	+5	+6	+8	+8	+5	+5	dB
Lower limit	-5	-5	-5	-5	-5	-5	-6	-8	-8	-5	-5	dB

THD Mask

F.POINT	100	200	315	10000	Hz
UPPER LIMITS	10	8	5	5	%

OLE WOLFF ELEKTRONIK A/S Roedengvej 25 4180 Soroe Denmark TEL: +45 57833830 FAX: +45 57820019	OLE WOLFF ELECTRONICS INC. 1525 McCarthy Blvd, Suite 1093 Milpitas, Ca 95035 USA TEL: +1 408 888 8413	OLEWOLFF ELEKTRONIK GmbH Schulstrasse 15A. DE-25451 Quickborn. Germany TEL: +49 (0) 4106 765900 FAX: +49 (0) 4106 627297	OLEWOLFF ELECTRONICS 3 Bedford Street, Woburn, Bedfordshire MK17 9QB, ENGLAND TEL: +44 (0) 1525 290755 FAX: +44 (0) 1525 290855	OLE WOLFF ELEKTRONIK Yliopistonkatu 26 (P.O.BOX 257) FI-40101 Jyväskylä Finland TEL: +358 14 338 3050 FAX: +358 14 338 3059	OLE WOLFF (ASIA) LTD. Unit B, 19/F., Bold Win Ind. Bldg., No. 16-18 Wah Sing St., Kwai Chung, N.T., H.K. TEL: +852 2424 3274 FAX: +852 2424 2219	OLE WOLFF LTD. 5 Floor, Block G, WenTao Industrial Park, YingRenShi, Bao'an District, Shenzhen City, Guangdong Province, P.R.C. TEL: +86 755 82612542 TEL: +86 755 26406156
---	---	--	---	--	--	---

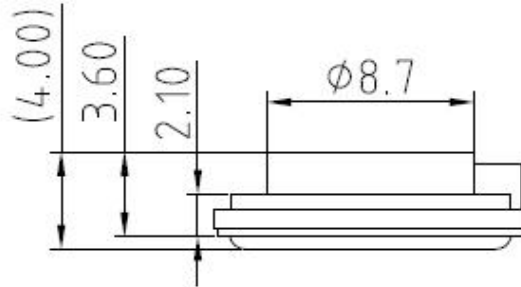
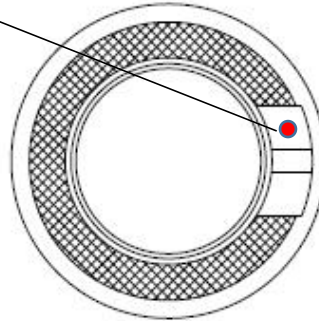
	Date	16-Jun-2020	SPECIFICATION	OLE WOLFF
	Page	7 / 8		www.owolff.com
	CN	P/N: OWR-1340T-38A		Revision: 00

9.DIMENSION (Fig.6)

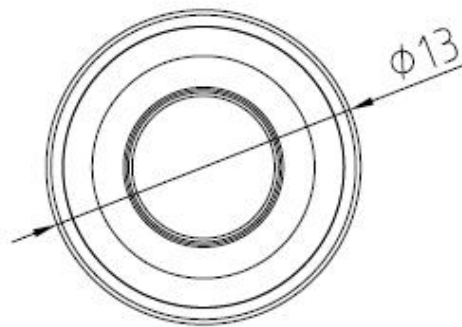
Unit: mm

Tolerance: +/-0.2

Binning
 Marking: Bin A = Red dot,
 Bin B = Blue dot,
 Bin C = Black dot,



注：带“（）”为参考尺寸



OLE WOLFF ELEKTRONIK A/S Roedengvej 25 4180 Soroe Denmark TEL: +45 57833830 FAX: +45 57820019	OLE WOLFF ELECTRONICS INC. 1525 McCarthy Blvd, Suite 1093 Milpitas, Ca 95035 USA TEL: +1 408 888 8413	OLEWOLFF ELEKTRONIK GmbH Schulstrasse 15A. DE-25451 Quickborn. Germany TEL: +49 (0) 4106 765900 FAX: +49 (0) 4106 627297	OLEWOLFF ELECTRONICS 3 Bedford Street, Woburn, Bedfordshire MK17 9QB, ENGLAND TEL: +44 (0) 1525 290755 FAX: +44 (0) 1525 290855	OLE WOLFF ELEKTRONIK Yliopistonkatu 26 (P.O.BOX 257) FI-40101 Jyväskylä Finland TEL: +358 14 338 3050 FAX: +358 14 338 3059	OLE WOLFF (ASIA) LTD. Unit B, 19/F., Bold Win Ind. Bldg., No. 16-18 Wah Sing St., Kwai Chung, N.T., H.K. TEL: +852 2424 3274 FAX: +852 2424 2219	OLE WOLFF LTD. 5 Floor, Block G, WenTao Industrial Park, YingRenShi, Bao'an District, Shenzhen City, Guangdong Province, P.R.C. TEL: +86 755 82612542 TEL: +86 755 26406156
---	---	--	---	--	--	---

	Date	16-Jun-2020	SPECIFICATION	OLE WOLFF
	Page	8 / 8		www.owolff.com
	CN	P/N: OWR-1340T-38A		Revision: 00

10. Marking (TBD)

11. Packing (TBD)

OLE WOLFF ELEKTRONIK A/S Roedengvej 25 4180 Soroe Denmark TEL: +45 57833830 FAX: +45 57820019	OLE WOLFF ELECTRONICS INC. 1525 McCarthy Blvd, Suite 1093 Milpitas, Ca 95035 USA TEL: +1 408 888 8413	OLEWOLFF ELEKTRONIK GmbH Schulstrasse 15A. DE-25451 Quickborn. Germany TEL: +49 (0) 4106 765900 FAX: +49 (0) 4106 627297	OLEWOLFF ELECTRONICS 3 Bedford Street, Woburn, Bedfordshire MK17 9QB, ENGLAND TEL: +44 (0) 1525 290755 FAX: +44 (0) 1525 290855	OLE WOLFF ELEKTRONIK Yliopistonkatu 26 (P.O.BOX 257) FI-40101 Jyväskylä Finland TEL: +358 14 338 3050 FAX: +358 14 338 3059	OLE WOLFF (ASIA) LTD. Unit B, 19/F., Bold Win Ind. Bldg., No. 16-18 Wah Sing St., Kwai Chung, N.T., H.K. TEL: +852 2424 3274 FAX: +852 2424 2219	OLE WOLFF LTD. 5 Floor, Block G, WenTao Industrial Park, YingRenShi, Bao'an District, Shenzhen City, Guangdong Province, P.R.C. TEL: +86 755 82612542 TEL: +86 755 26406156
---	---	--	---	--	--	---