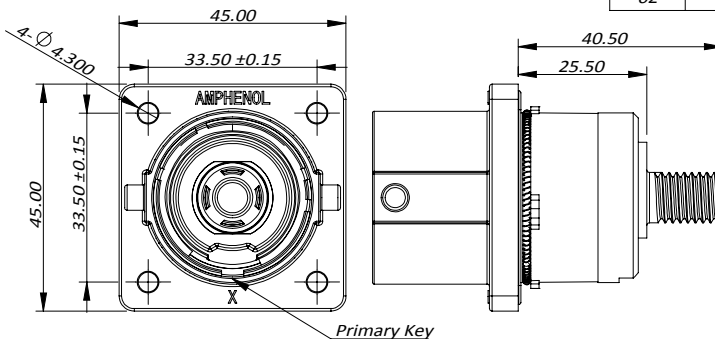
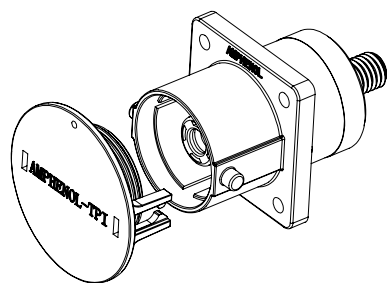


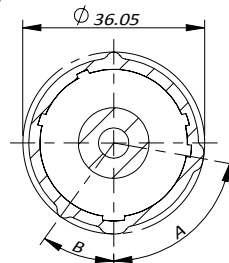
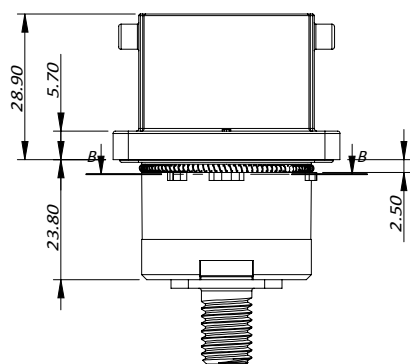
THIS DRAWING IS SUPPLIED FOR INFORMATION ONLY. DESIGN FEATURES, SPECIFICATIONS AND PERFORMANCE DATA SHOWN HEREON ARE THE PROPERTY OF THE AMPHENOL CORPORATION. NO RIGHTS OF REPRODUCTION ARE IMPLIED. ALL DIMENSIONS ARE SUBJECT TO NORMAL MANUFACTURING VARIATIONS.

CUSTOMER DRAWING

REVISIONS					
REV#	ECN#	REVISION ACTION	REV.BY:	APPR.BY:	DATE
01	--	INITIAL RELEASE	Star	James	06/24/2021
02	--	Change the P/N part number	Star	James	12/30/2021

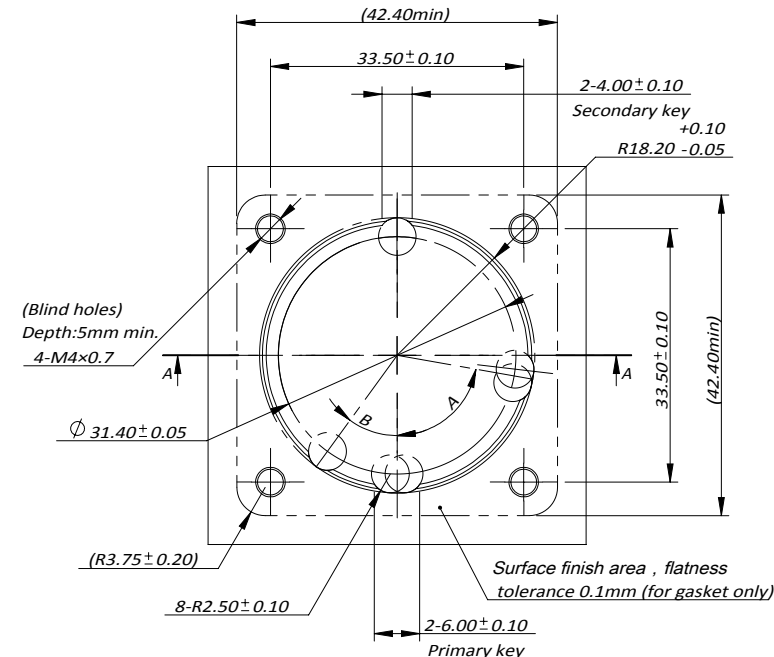


键位 Key	A	B
X	80°	36°
Y	50°	86°
U	36°	76°
V	100°	56°
W	130°	60°
T	144°	96°



剖面 B-B
比例 1 : 1.5

推荐面板开孔图 Recommended panel cut out size



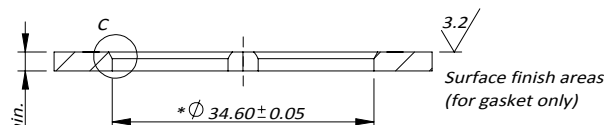
(Blind holes)
Depth: 5mm min.
4-M4x0.7

Surface finish area, flatness tolerance 0.1mm (for gasket only)

0.50 ± 0.10 × 60° (for coil spring lead in)



局部视图 C
比例 2 : 1



剖面 A-A
比例 1 : 1

规格参数 (Spec.):

- 工作温度 Operating temperature : -40°C ~ +125°C.
- 额定电流 Current rating:
Power: 500A;
- 额定电压 Operating voltage:
Power: 1000 VDC;
- 耐电压 Dielectric withstanding voltage:
A. 与插头对插后, Pin与铁壳之间
When mated, between pin and metal shell: 5000 VDC.
- 防护等级 Protection class: Mated-IP6k9k & IP67, unmated-IP2X.
- 电磁屏蔽 360° full Shielding.
- 机械寿命 Mating cycle: 100 Min.
- 绝缘材料满足 UL94V-0 Inner insulation material satisfy UL94V-0.
- 推荐法兰盘螺丝安装扭矩 Recommended Screw Assembly
Torque on Flange: 1.6~2.4Nm
- 推荐铜排安装扭矩 Recommended Fasten Torque on Lug:
M6: 3.6~4.4Nm, M8: 7.2~8.8Nm, M10: 17.1~20.9Nm
- 镀灰锌/镍合金, 符合RoHS, 满足500H中性盐雾实验
Gray Zinc/Nickel (ZnNi) Plating, RoHS compliant, Rated at 500 hours salt spray.

订购信息 Ordering Information

PL 00 X -500 - 20XX-2

Key and Color "X", Orange "Y", Black "U", Yellow "V", Green "W", Red "T", Blue	HVIL "0", NO HVIL	Thread Type "M" = Straight thread	Thread Size
--	----------------------	--------------------------------------	-------------



Amphenol Technical Products International Asia.

第三角投影 THIRD ANGLE PROJECTION	页面 SHEET	幅面 SIZE	版次 REV.	比例 SCALE	PART NAME: PL500 1Pos Rcpt Lug G2
	1 OF 2	A4	02		
签名 SIGNATURE	日期 DATE	UNLESS OTHERWISE SPECIFIED 1) All dimensions are in metric (mm). 2) Tolerances are as follows: 1. PL DEC ± 1.00 2. PL DEC ± 0.50 3. PL DEC ± 0.20			DWG NO: PL00X-500-20XX-2
制图 DRAWN	Star	12/30/2021	Angles ±1°		CUST PART #
审核 CHECKED					CUST REV.
批准 APPROVAL					

THIS DRAWING IS SUPPLIED FOR INFORMATION ONLY. DESIGN FEATURES, SPECIFICATIONS AND PERFORMANCE DATA SHOWN HEREON ARE THE PROPERTY OF THE AMPHENOL CORPORATION. NO RIGHTS OF REPRODUCTION ARE IMPLIED. ALL DIMENSIONS ARE SUBJECT TO NORMAL MANUFACTURING VARIATIONS.

A

B

C

D

A

B

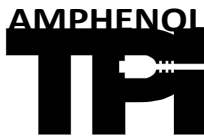
C

D

REVISIONS					
REV#	ECN#	REVISION ACTION	REV.BY:	APPR.BY:	DATE
01	--	INITIAL RELEASE	Star	James	06/24/2021
02	--	Change the P/N part number	Star	James	12/30/2021

P/N 料号	Model No. 型号
AC-HA019183	PL00X-500-20M10-2
AC-HA019184	PL00Y-500-20M10-2
AC-HA019185	PL00U-500-20M10-2
AC-HA019186	PL00V-500-20M10-2
AC-HA019187	PL00W-500-20M10-2
AC-HA019188	PL00T-500-20M10-2
AC-HA021049	PL00X-500-20M8-2
AC-HA021050	PL00Y-500-20M8-2
AC-HA021051	PL00U-500-20M8-2
AC-HA021052	PL00V-500-20M8-2
AC-HA021053	PL00W-500-20M8-2
AC-HA021054	PL00T-500-20M8-2

02
02
02

		Amphenol Technical Products International Asia.					PART NAME: PL500 1Pos Rcpt Lug G2		
		第三角投影 THIRD ANGLE PROJECTION	页面 SHEET	幅面 SIZE	版次 REV.	比例 SCALE	DWG NO: PL00X-500-20XX-2 CUST PART #		
签名 SIGNATURE		日期 DATE	UNLESS OTHERWISE SPECIFIED 1) All dimensions are in metric(mm). 2) Tolerances are as follows: 1.PL DEC ± 1.00 2.PL DEC ± 0.50 3.PL DEC ± 0.20		CUST REV.				
制图 DRAWN	Star	12/30/2021	2 OF 2 A4 02						
审核 CHECKED			Angles ±1°						
批准 APPROVAL									