

TCXO UNIT WITH HCMOS OUTPUT IN SMD 3.2x2.5MM CERAMIC SEAM SEAL PACKAGE.

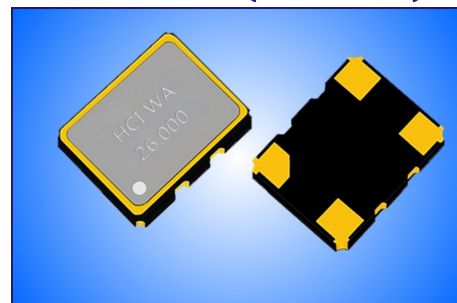
### PRODUCT FEATURES

- Small dimensions 3.2x2.5x1.1 with 4 solder pads.
- Tight stabilities over temperature range.
- RoHS compliant, LEAD-FREE, HALOGEN-FREE and REACH compliant.

### APPLICATIONS

- WiMAX / WLAN / Ethernet
- Telecommunication
- Mobil applications

### PRODUCT PHOTO (NOT IN SCALE)

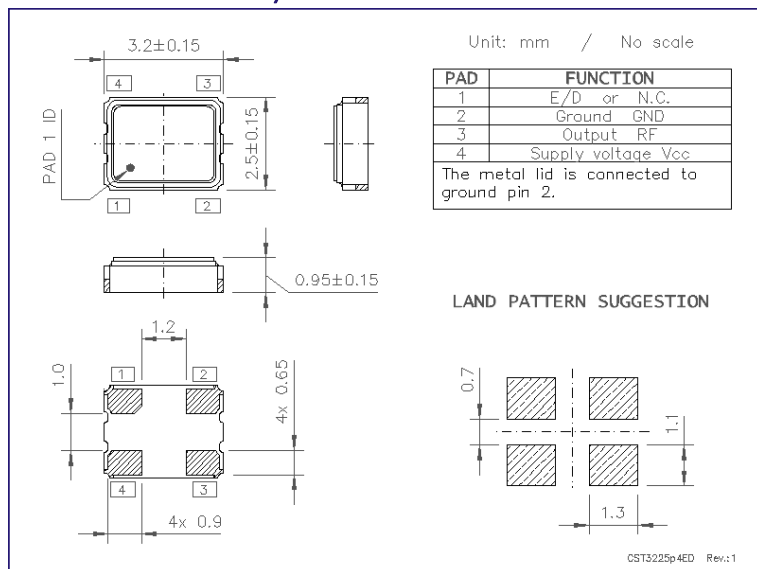


### PRODUCT SPECIFICATIONS

PARAMETER	SUPPLY VOLTAGE			REMARKS
	1.8V	2.5V	3.3V	
Frequency range	9.5 ~ 60MHz			--
Frequency tolerance	±2.0ppm			Initial tol. @+25°C
Frequency stability	±2.5ppm	5.0ppm	±10ppm	See note below table
Operating temperature range	-40 to +85°C / -40 to +90°C / -40 to +105°C			In combination to above stabilities.
Aging per year	±1.0ppm			@+25°C
Output waveform and load	LVCMOS 15pF			--
Output voltage level HIGH	90%Vcc			Minimum
Output voltage level LOW	10%Vcc			Maximum
Rise and Fall times	8ns	8ns	8ns	@10~90% of Vcc
Symmetry (duty cycle)	45~55%			@ 50%Vcc
Phase noise (example 26MHz)	-110dBc/Hz / -130dBc/Hz / -145dBc/Hz			@100Hz / 1kHz / 10kHz
Phase jitter RMS	<1ps			12kHz≤Fj≤20MHz
Supply current	5mA	7mA	10mA	@15pF

Note: Frequency stability is the frequency deviation over temperature range in reference to +25°C

### PACKAGE OUTLINE / DIMENSIONS



### PACKAGING INFORMATION

- Tape & Reel compliant to EIA-481.
- Embossed carrier width 8mm.
- Component pitch in carrier 4mm.
- Reel diameter 180mm.
- QTY per reel: 3,000pcs

### RECOMMENDED REFLOW PROFILE

