

MATERIALS AND FINISHES:
FOR STANDARD SMP

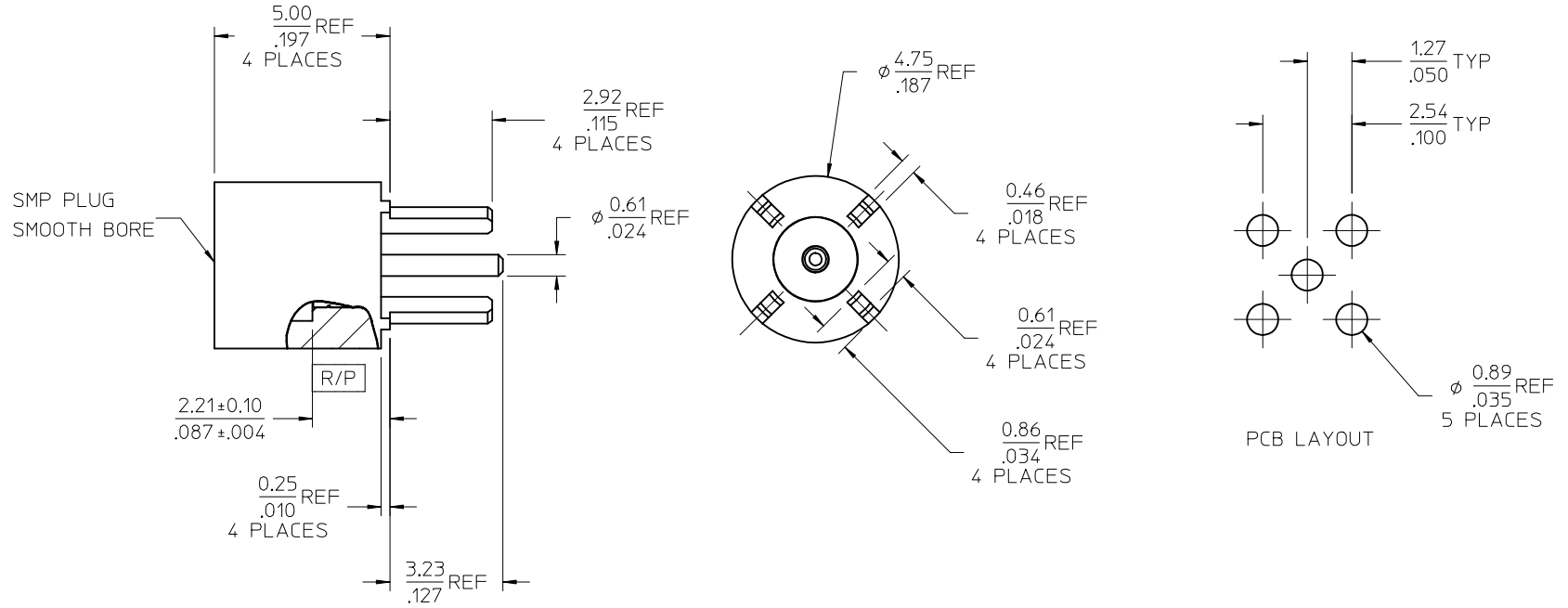
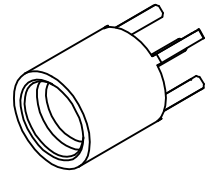
BODY, CONTACT: BERYLLIUM COPPER
PLATED: GOLD (50μ-in MIN)
OVER NICKEL (100μ-in MIN)

INSULATOR: PTFE

MATERIALS AND FINISHES:
FOR NON-MAGNETIC SMP

BODY, CONTACT: BERYLLIUM COPPER
PLATED: GOLD (8μ-in MIN)
OVER NICKEL PHOSPHOR (80μ-in MIN)

INSULATOR: PTFE



73415-7011	NON-MAGNETIC
73415-7010	STANDARD
PART NO.	DESCRIPTION

PS-89675-3320	ELEC/MECH PERFORMANCE
MIL-STD-348B, FIG. 326.4	INTERFACE SMP P SB
SPECIFICATION	DESCRIPTION

CHG: ADD TOLERANCE TO DIM 2.21/.087 IN E10/11 ZONE. UPD MATERIALS AND FINISHES NOTE. EC NO: URF-2017-04.17
 DRW: NIPRAKASHO1 2017/06/13
 CHK: D:888 2017/06/13
 APPR: AROBERTSON 2017/06/28

REV	DESCRIPTION
C2	

QUALITY SYMBOLS	
$\nabla = 0$	
$\nabla = 0$	
$\nabla = 0$	

GENERAL TOLERANCES (UNLESS SPECIFIED)	
mm	INCH
4 PLACES ± ---	± ---
3 PLACES ± ---	± .010
2 PLACES ± 0.25	± ---
1 PLACE ± ---	± ---
0 PLACE ± ---	± ---
ANGULAR ± 2 °	
DRAFT WHERE APPLICABLE MUST REMAIN WITHIN DIMENSIONS	

DIMENSION STYLE		SCALE	DESIGN UNITS	THIRD ANGLE PROJECTION
MM/IN			METRIC	
DRAWN BY	DATE	TITLE		
AZR	2008/03/03	SMP P SMOOTH BORE VERT PCB THRU STD & NON-MAG SMP-P/PCB, EWR-3570		
CHECKED BY	DATE	molex		
SSS	2008/03/03			
APPROVED BY	DATE	MATERIAL NO.	DOCUMENT NO.	SHEET NO.
JDW	2008/03/03	SEE TABLE	SD-73415-701	1 OF 1
THIS DRAWING CONTAINS INFORMATION THAT IS PROPRIETARY TO MOLEX INCORPORATED AND SHOULD NOT BE USED WITHOUT WRITTEN PERMISSION				