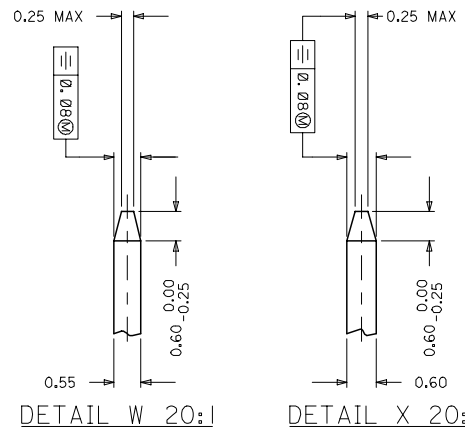
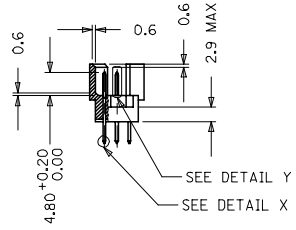
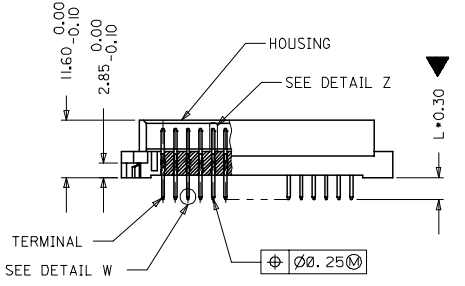
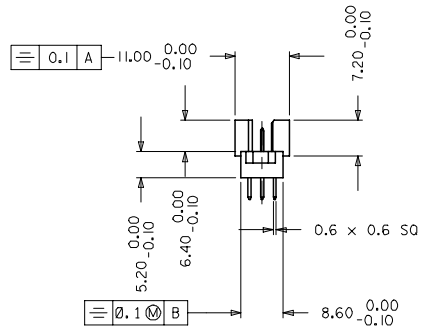
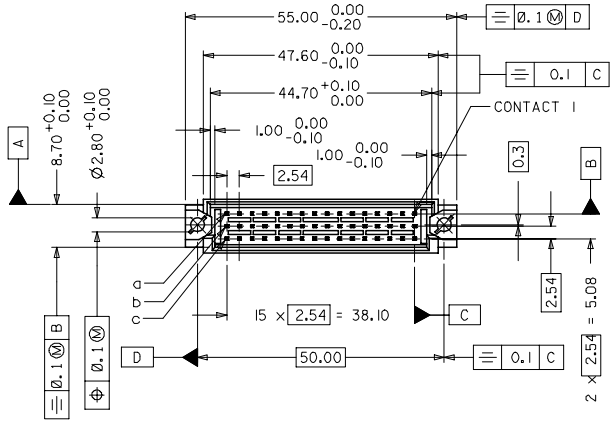
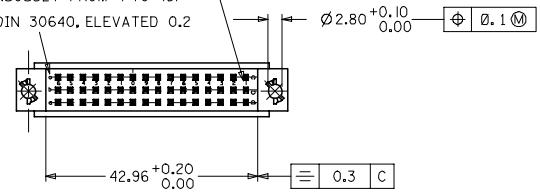


NOTES:

1. MATERIAL NUMBER, BATCH CODE, UL CSA MARKING TO BE PRINTED ON THE CONNECTOR AS PER E-36502-005
2. PRODUCT SPECIFICATION PS:85013-001
3. PACKING SPECIFICATION PK: 36512-001
4. CUT FACES OF TIP WITHOUT PLATING IS PERMITTED
5. REFERENCE AREA OF PLATING
6. GAUGE DRAWING REFER E-36500-100



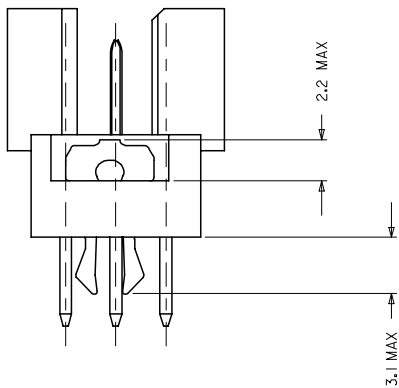
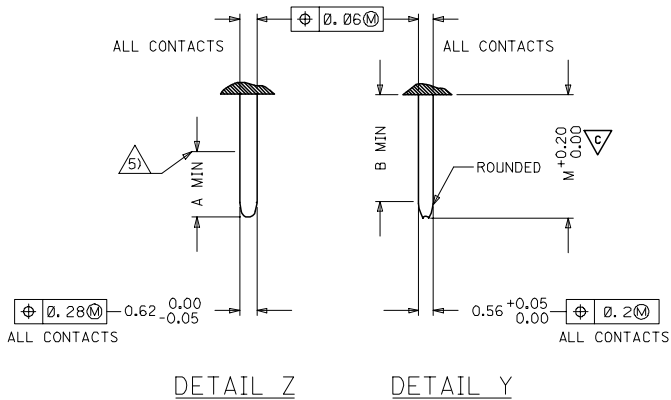
SCRIPT E1.25-5 DIN 30640, ELEVATED 0.2
(NUMBERED CONTINUOUSLY FROM 1 TO 16)
SCRIPT E1.5-6 DIN 30640, ELEVATED 0.2



EC NO. 12005-0092 DRAWN BY DRWNSHIVASHA CHKD BY CHAKRAPASAI APPRD BY SUDHIR	QUALITY SYMBOLS ▽=1 ▽=0	GENERAL TOLERANCES (UNLESS SPECIFIED)		DIMENSION STYLE		SCALE	DESIGN UNITS	THIRD ANGLE PROJECTION	
		mm	INCH	MM ONLY		2:1	METRIC		
DESCRIPTION	4 PLACES ±	±	---	DRAWN BY	DATE	TITLE			
	3 PLACES ±0.005	±	---	NS	2004/03/31	48 POS. MALE CONNECTOR			
	2 PLACES ±0.05	±	---	CHECKED BY	DATE	ACC. DIN 41612			
	1 PLACE ±0.1	±	---	GJLOWE	2004/03/31	STYLE R/2 CONTACTS			
MATERIAL NO.	ANGULAR ± 2°		APPROVED BY		DATE	MOLEX INCORPORATED			
	SEE CHART		GJLOWE		2004/03/31	MOLEX INCORPORATED			
DRAFT WHERE APPLICABLE MUST REMAIN WITHIN DIMENSIONS		SIZE A1		DOCUMENT NO.		E-85013-0002		SHEET NO. 1 OF 2	
THIS DRAWING CONTAINS INFORMATION THAT IS PROPRIETARY TO MOLEX INCORPORATED AND SHOULD NOT BE USED WITHOUT WRITTEN PERMISSION									

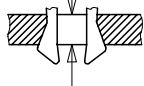
PRE MATING CONTACTS	5.4	4.1	4.8
NORMAL CONTACTS	4.8	3.5	4.2
	M	A	B

MALE CONNECTOR WITH MOUNTING CLIPS



CLIPS SNAP UNDER
PC - BOARD OF
1.5 to 1.8 mm
Fm < 60N
Fr >= 20N
Fr >= 200N, WHEN
SOLDERED IN
PLATED - THROUGH
FIXING HOLES

Fm = MOUNTING FORCE
(FOR ONE CONNECTOR = 2 CLIPS)



FR = RETENTION FORCE
(FOR ONE CONNECTOR = 2 CLIPS)

CLIPS STICK IN
FIXING HOLE OF
PC - BOARDS
OVER 1.8 mm
Fm < 60N
FR >= 16N



IEC NO. 12005-0092 2004/11/23 DRW:SHYASHA CHK:KPRASAD APPR:SSUDHIR 2004/11/23	QUALITY SYMBOLS ▽=0 ▽=1	GENERAL TOLERANCES (UNLESS SPECIFIED)		DIMENSION STYLE MM ONLY	SCALE 2:1	DESIGN UNITS METRIC	THIRD ANGLE PROJECTION		
		4 PLACES ± --- ± ---	3 PLACES ± 0.005 ± ---	2 PLACES ± 0.05 ± ---	1 PLACE ± 0.1 ± ---	ANGULAR ± 2 °	DRAWN BY NS	DATE 2004/03/31	TITLE 48 POS. MALE CONNECTOR ACC. DIN 41612 STYLE R/2 CONTACTS
		CHECKED BY GJLOWE		DATE 2004/03/31		APPROVED BY GJLOWE		DATE 2004/03/31	
		DRAFT WHERE APPLICABLE MUST REMAIN WITHIN DIMENSIONS		SEE CHART		MATERIAL NO. E-85013-0002		DOCUMENT NO. MOLEX INCORPORATED	
				SIZE A1		SHEET NO. 2 OF 2			

20 19 18 17 16 15 14 13 12 11 9 8 7 6 5 4 3 2 1

VIEW ON MATING SIDE

○	A	A	A	A	A	A	A	A	A	A	A	A	A	A	A	A	A	A	A	A
○	A	A	A	A	A	A	A	A	A	A	A	A	A	A	A	A	A	A	A	A
○	A	A	A	A	A	A	A	A	A	A	A	A	A	A	A	A	A	A	A	A

- 2 3 4 5 6 7 8 9 10 = 11 12 13 14 15 16

A = 48 STANDARD CONTACTS L = 2.9

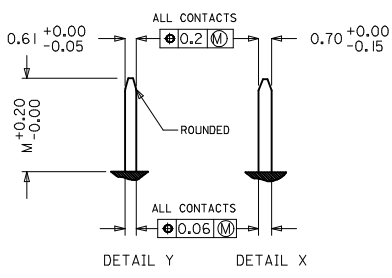
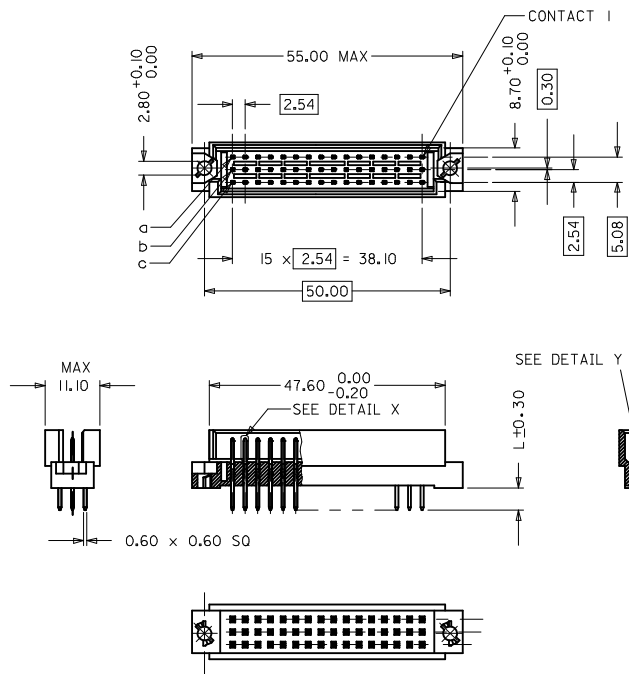
MARKING	STANDARD
PERFORMANCE LEVEL	G2/O = CONTACT AREA LEVEL2 / TERMINATION TIN
FLUX PROOF	NO
FIXING CLIP	YES
DIMENSIONS	SD-85013-0002 SHT 1

A	G2/O	a1-16 b1-16 c1-16
CONTACT SYMBOL	PERFORMANCE LEVEL	CONTACT POSITION NUMBER

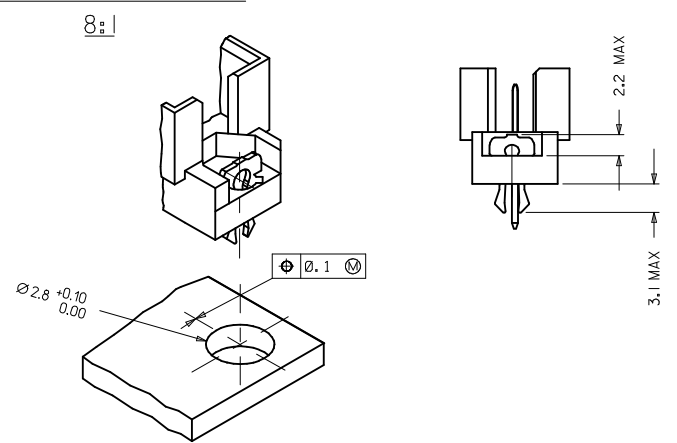
SL. NO.	DESCRIPTION	CONTACT SYMBOL	PART NUMBER	QTY
1	HOUSING		36520-0002	1
2	TERMINAL	A	36527-0005	48
3	FIXING CLIP	B	36526-0001	2

EC NO. I 2004-XXXX DRAWN L.S. 31/03/04 CHK G.L. 31/03/04 APPR. L.S. 31/03/04	QUALITY SYMBOLS	GENERAL TOLERANCES: (UNLESS SPECIFIED)	SCALE	DESIGN UNITS	DIMENSIONS:	SHT	REV	
	MAJOR	mm INCH		<input checked="" type="checkbox"/> mm <input type="checkbox"/> INCH	<input type="checkbox"/> mm <input type="checkbox"/> INCH			
	CRITICAL							
A	REV		4 PLACES ±0. ±	DRAWN BY & DATE NLS 31/03/04	THIRD ANGLE PROJECTION <input checked="" type="checkbox"/> <input type="checkbox"/>		REVISE ON CAD ONLY	
			3 PLACES ±0. ±	CHECKED BY & DATE G.L. 31/03/04	TITLE: 48 POS MALE CONNECTOR ACCORDING DIN 41612 STYLE R/2 CONTACTS ARRANGEMENT			
			2 PLACES ±0. ±	APPROVED BY & DATE G.L. 31/03/04	MATERIAL NO. 85013-1029			
			1 PLACE ±0. ±		DRAWING NO. E-85013-1029			
DRAFT WHERE APPLICABLE MUST REMAIN WITHIN DIMENSIONS			ANGULAR: ±	CAD FILENAME E-85013-1029.S01	SHEET NO. 1 OF 1		SIZE D	
				THIS DRAWING CONTAINS INFORMATION THAT IS PROPRIETARY TO MOLEX INCORPORATED AND SHOULD NOT BE USED WITHOUT WRITTEN PERMISSION.				

19 18 17 16 15 14 13 12 11 10 9 8 7 6 5 4 3 2 1



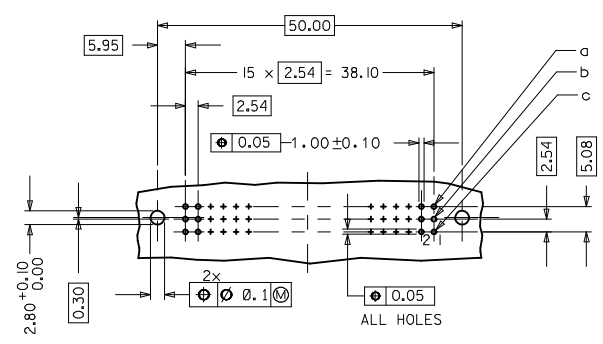
WITH MOUNTING CLIPS



- NOTES:
- MATERIALS: THERMOPLASTIC POLYESTER, GLASS FILLED, UL94V-0. COLOUR: PEBBLE GREY RAL 7032
TERMINAL - BRASS
MOUNTING CLIP: STEEL
 - FINISH: CONTACT AREA
 - PERFORMANCE LEVEL 1: SELECTIVE GOLD (Au), THICKNESS = 1.1 MICROMETER OVER NICKEL, THICKNESS = 1.25 MICROMETER
 - PERFORMANCE LEVEL 2: SELECTIVE GOLD (Au), THICKNESS = 0.6 MICROMETER OVER NICKEL, THICKNESS = 1.25 MICROMETER
 - PERFORMANCE LEVEL 3: SELECTIVE GOLD (Au), THICKNESS = 0.3 MICROMETER OVER NICKEL, THICKNESS = 1.25 MICROMETER
 - TERMINATION AREA : SELECTIVE TIN, THICKNESS = 2.5 MICROMETER OVER NICKEL, THICKNESS = 1.25 MICROMETER OVERALL
 - MOUNTING CLIP:-
TIN (Sn), THICKNESS = 5-10 MICROMETER,
OVER NICKEL (Ni), THICKNESS = 2.5 MICROMETER
 - FOR NON MOUNTING CLIP OPTION, CONNECTOR TO BE SECURED WITH RIVETS: 2 TUBULAR RIVETS 2.5 x 0.3 ... DIN 7340
SCREWS: 2 CHEESEHEAD SCREWS M2.5 x ... DIN 84 AND 2 HEXAGONAL NUTS M2.5 DIN 934
 - STANDARD MARKING : MOLEX, MATERIAL NUMBER, BATCH CODE
 - CUT FACE OF TIP WITHOUT PLATING PERMITTED
 - PRODUCT SPECIFICATION PS : 85103-0001

RECOMMENDED PCB LAYOUT COMPONENT SIDE

LMFB CONTACTS	4,2
FMLB CONTACTS	5,4
NORMAL CONTACTS	4,8
	M



RoHS COMPLIANT

EC NO: I2007-0172 DRAWN BY: JAYENGG CHKD BY: SUDHIR APPR: KRASAO 2009/06/07 2009/06/19 2009/01/22	QUALITY SYMBOLS ▽=0 ▽=0	GENERAL TOLERANCES (UNLESS SPECIFIED) mm INCH 4 PLACES ± --- ± --- 3 PLACES ± 0.05 ± --- 2 PLACES ± 0.1 ± --- 1 PLACE ± 0.15 ± --- ANGULAR ± 2 °	DIMENSION STYLE MM ONLY	SCALE 2:1	DESIGN UNITS METRIC	THIRD ANGLE PROJECTION	
		DRAFT WHERE APPLICABLE MUST REMAIN WITHIN DIMENSIONS	SEE CHART	TITLE 48 POS. MALE CONNECTOR ACC. DIN 41612 STYLE R/2 CONTACTS	MATERIAL NO. SD-85013-0002	DOCUMENT NO.	SHEET NO. 1 OF 1
		THIS DRAWING CONTAINS INFORMATION THAT IS PROPRIETARY TO MOLEX INCORPORATED AND SHOULD NOT BE USED WITHOUT WRITTEN PERMISSION					
		MOLEX INCORPORATED					

20 19 18 17 16 15 14 13 12 11 9 8 7 6 5 4 3 2 1

VIEW ON MATING SIDE

○	A	A	A	A	A	A	A	A	A	A	A	A	A	A	A	A	A	A
△	A	A	A	A	A	A	A	A	A	A	A	A	A	A	A	A	A	A
○	A	A	A	A	A	A	A	A	A	A	A	A	A	A	A	A	A	A

- 2 3 4 5 6 7 8 9 10 = 11 12 13 14 15 16

A = 48 STANDARD CONTACTS L = 2.9

MARKING	STANDARD
PERFORMANCE LEVEL	G2/0 = CONTACT AREA LEVEL2 / TERMINATION TIN
FLUX PROOF	NO
FIXING CLIP	YES
DIMENSIONS	SD-85013-0002 SHT 1

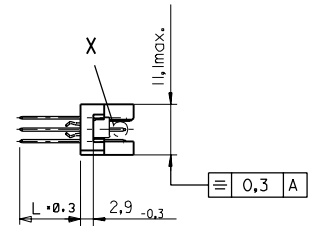
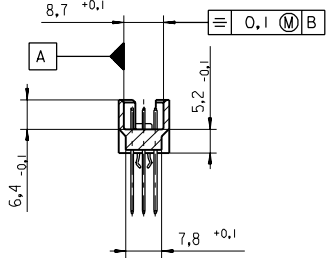
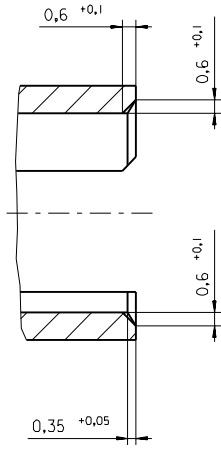
A	G2/0	a1-16 b1-16 c1-16
CONTACT SYMBOL	PERFORMANCE LEVEL	CONTACT POSITION NUMBER

EC NO. I 2004-XXXX DRAWN L.S. 31/03/04 CHK G.L. 31/03/04 APPR G.L. 31/03/04	QUALITY SYMBOLS MAJOR CRITICAL	GENERAL TOLERANCES: (UNLESS SPECIFIED) <table border="1"> <tr><td></td><td>mm</td><td>INCH</td></tr> <tr><td>4 PLACES</td><td>±0.1</td><td>±0.005</td></tr> <tr><td>3 PLACES</td><td>±0.1</td><td>±0.005</td></tr> <tr><td>2 PLACES</td><td>±0.1</td><td>±0.005</td></tr> <tr><td>1 PLACE</td><td>±0.1</td><td>±0.005</td></tr> </table>		mm	INCH	4 PLACES	±0.1	±0.005	3 PLACES	±0.1	±0.005	2 PLACES	±0.1	±0.005	1 PLACE	±0.1	±0.005	SCALE <input checked="" type="checkbox"/> mm <input type="checkbox"/> INCH	DESIGN UNITS <input checked="" type="checkbox"/> mm <input type="checkbox"/> INCH	THIRD ANGLE PROJECTION <input checked="" type="checkbox"/> THIRD ANGLE <input type="checkbox"/> FIRST ANGLE	DIMENSIONS: <input type="checkbox"/> mm <input type="checkbox"/> INCH <input checked="" type="checkbox"/> mm ONLY	SHT 1 REV 1 REVISE ON CAD ONLY
		mm	INCH																			
4 PLACES	±0.1	±0.005																				
3 PLACES	±0.1	±0.005																				
2 PLACES	±0.1	±0.005																				
1 PLACE	±0.1	±0.005																				
DRAWN BY & DATE NLS 13/06/03	CHECKED BY & DATE G.L. 13/06/03	APPROVED BY & DATE G.L. 13/06/03	CAD FILENAME SD-850131029.S01	MATERIAL NO. 85013-1029	DRAWING NO. SD-85013-1029	TITLE: 48 POS MALE CONNECTOR ACCORDING DIN 41612 STYLE R/2 CONTACTS ARRANGEMENT	SHEET NO. 1 OF 1															
DRAFT WHERE APPLICABLE MUST REMAIN WITHIN DIMENSIONS		THIS DRAWING CONTAINS INFORMATION THAT IS PROPRIETARY TO MOLEX INCORPORATED AND SHOULD NOT BE USED WITHOUT WRITTEN PERMISSION.						SIZE D														

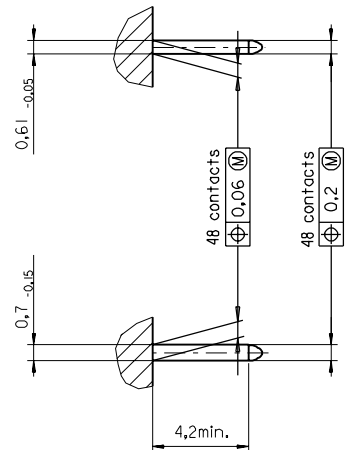
19 18 17 16 15 14 13 12 11 10 9 8 7 6 5 4 3 2 1

PART NO.
DWG. NO.

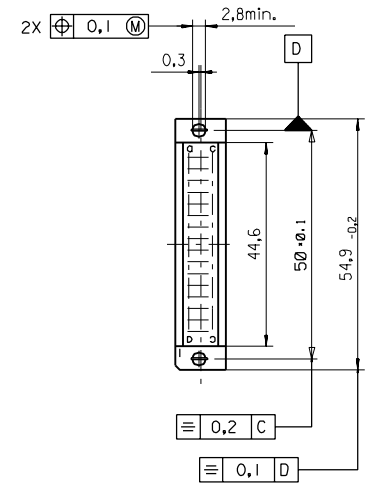
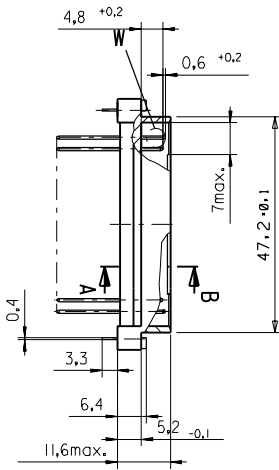
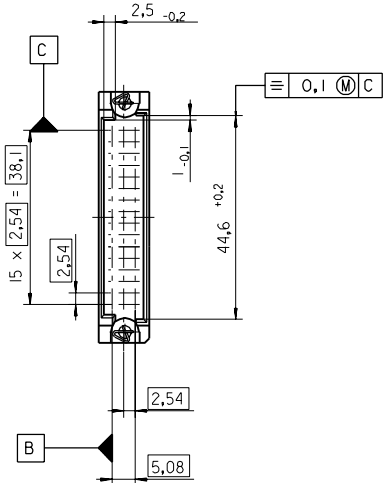
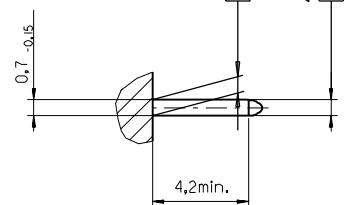
Section A - B
5:1



View X
5:1



View W
5:1



BI	LTR	first release see ECN No. 1887	FIRST ANGLE PROJECTION		REVISE ONLY ON CAD SYSTEM		SH.	REV.
		FOR PREVIOUS REVISIONS SEE MRI LIST	UNLESS OTHERWISE SPECIFIED TOLERANCES: ANGULAR ± 2°	DRWG BY Ca	SIGN	CAD/CAM PROJECT NAME 85013000 821	THIS DRAWING CONTAINS INFORMATION THAT IS PROPRIETARY TO MOLEX INC. & SHOULD NOT BE USED WITHOUT WRITTEN PERMISSION	
			INCH	METRIC	CHK'D BY KN	SIGN	TITLE 48 pos. Male connector acc. DIN 41612 style R/2 Dimensions	
			3 PLACE ± . ±	±	APP'D BY	SIGN	SHEET NO. DATE 1 OF 95/06/08	
			DRAFT WHERE APPLICABLE MUST REMAIN WITHIN DIMENSIONS		SCALE		PART NO. DWG NO. SIZE	
			DESIGN DIMENSION <input checked="" type="checkbox"/> MM	<input type="checkbox"/> IN.			SDA-85013-0002 B	
			EQUIVALENT DIMENSION <input type="checkbox"/> MM	<input type="checkbox"/> IN.				
			IF TWO DIMENSIONS ARE SHOWN THE UPPER IS THE DESIGN DIMENSION, LOWER IS SECONDARY					

VIEW ON MATING SIDE

⊂	A	A	A	A	A	A	A	A	A	A	A	A	A	A	A	A	A	A	A
⊃	A	A	A	A	A	A	A	A	A	A	A	A	A	A	A	A	A	A	A
⊄	A	A	A	A	A	A	A	A	A	A	A	A	A	A	A	A	A	A	A

1 2 3 4 5 6 7 8 9 10 11 12 13 14 15 16 17 18 19 20 21 22 23 24 25 26 27 28 29 30 31 32 33 34 35 36 37 38 39 40 41 42 43 44 45 46 47 48 49 50 51 52 53 54 55 56 57 58 59 60 61 62 63 64 65 66 67 68 69 70 71 72 73 74 75 76 77 78 79 80 81 82 83 84 85 86 87 88 89 90 91 92 93 94 95 96 97 98 99 100

A = 48 STANDARD CONTACTS L-2,9

Marking	Standard
Performance level	G2/0 = Contact area perform. level2 / Termination tin
Flux proof	no
Fixing clip	yes
Dimensions	SDA-85013-0002 sht.1
Technical Data	PS-85013-0001

A	G2/0	a1-16	b1-16	c1-16
Contact symbol	Perform. level	Contact position number		

first release see ECN No. 2351	REVISIONS		FOR PREVIOUS REVISIONS SEE MRI LIST	
	LTR	Δ		
UNLESS OTHERWISE SPECIFIED TOLERANCES: ANGULAR ± 2° INCH METRIC		DRWG BY	SIGN	
3 PLACE ± .	±	Ca		
2 PLACE ± .	±	CHK'D BY	SIGN	
1 PLACE ± .	±	KN		
DRAFT WHERE APPLICABLE MUST REMAIN WITHIN DIMENSIONS		APP'D BY	SIGN	
DESIGN DIMENSION	<input type="checkbox"/> MM <input type="checkbox"/> IN.	JB		
EQUIVALENT DIMENSION	<input type="checkbox"/> MM <input type="checkbox"/> IN.	SCALE		
IF TWO DIMENSIONS ARE SHOWN, THE UPPER IS THE DESIGN DIMENSION, LOWER IS SECONDARY				
REVISE ONLY ON CAD SYSTEM		SH. REV.		
CAD/CAM PROJECT NAME		THIS DRAWING CONTAINS INFORMATION THAT IS PROPRIETARY TO MOLEX INC. & SHOULD NOT BE USED WITHOUT WRITTEN PERMISSION		
s8501310		s21		
TITLE		SHEET NO. DATE		
48 pos. Male connector acc. DIN 41612 style R/2 contacts arrangement		1 OF 1 96/12/05		
MOLEX EUROPE		DWG NO. SDA-85013-1029		
PART NO. 85013-1029		SIZE A		