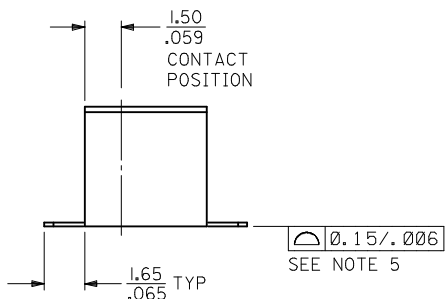
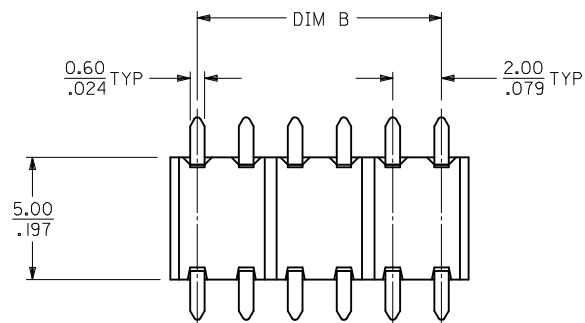
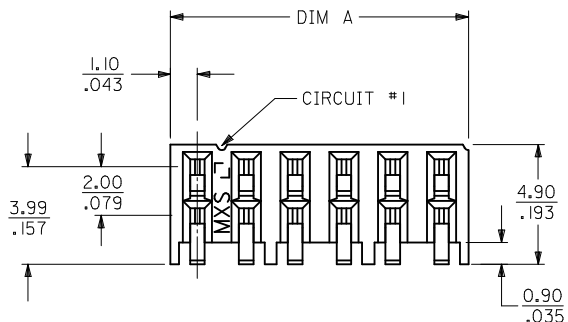
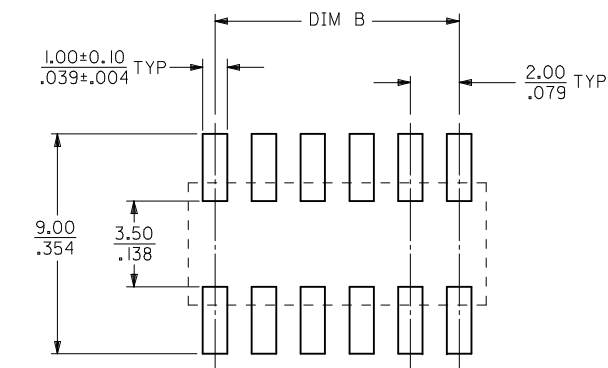


PART NUMBER IN TAPE/REEL	PART NUMBER IN TAPE/REEL	CKT. SIZE	DIM A	DIM B	W	EMBOSSED TYPE
0.76um/30u" GOLD	0.38um/15 u" GOLD					
-	87368-1110	10	10.20/0.402	8.00/0.315	24.00/0.945	A
-	87368-1112	12	12.20/0.480	10.00/0.394	24.00/0.945	A
87368-0320	87368-1120	20	20.20/0.795	18.00/0.709	32.00/1.260	B
-	87368-1140	40	40.20/1.583	38.00/1.496	56.00/2.205	C
-	87368-1150	50	50.20/1.976	48.00/1.890	72.00/2.835	B



- NOTE:
- MATERIAL: HOUSING - NYLON, GLASS FILLED, UL94V-0  
COLOR: BLACK  
TERMINAL - PHOSPHOR BRONZE
  - FINISHES: TERMINAL - SELECTIVE GOLD IN THE CONTACT AREA:  
THICKNESS = SEE TABLE  
2.54um/100um MIN. SELECTIVE TIN  
IN THE PC SOLDER TAIL AREA  
BOTH OVER 1.27um/50um MIN. NICKEL OVERALL
  - PRODUCT SPECIFICATION: PS-87264
  - CIRCUIT SIZE 12 IS SHOWN FOR ILLUSTRATION ONLY, SEE CHART FOR AVAILABLE CIRCUIT SIZES.
  - COPLANARITY OF SOLDER TAIL IS TO BE MEASURED BY RESTING THE PART ON A FLAT GAUGE SURFACE.
  - PART MATEABLE TO ALL MILLI-GRID HEADERS WITH MATING PIN LENGTH BETWEEN 2.50mm AND 4.20mm.
  - PART IS PACK IN TAPE AND REEL.
  - PARTS SHALL BE PACKED IN MOISTURE BARRIER BAG.

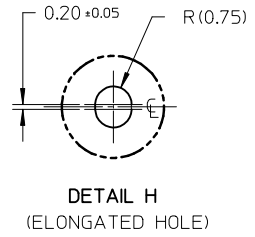
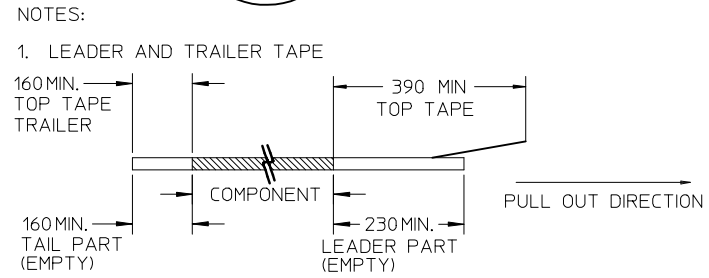
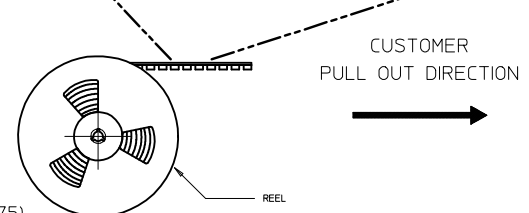
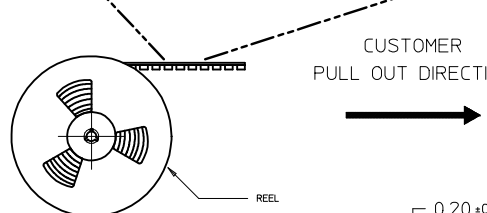
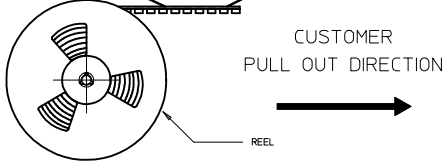
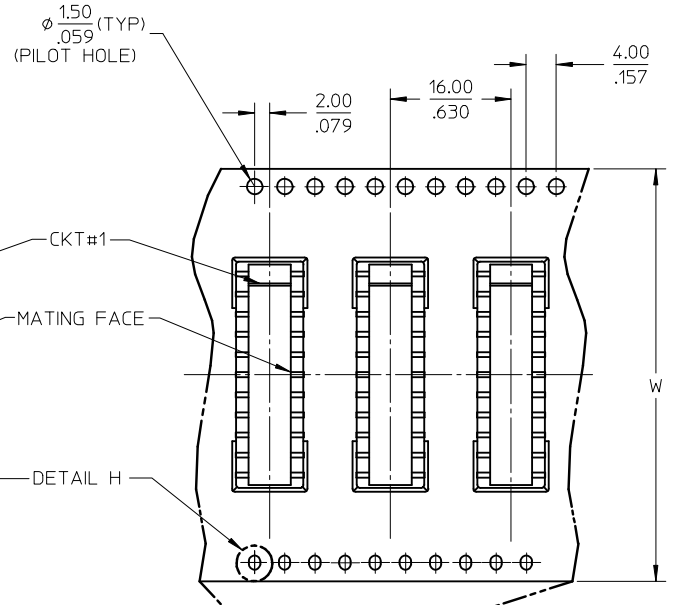
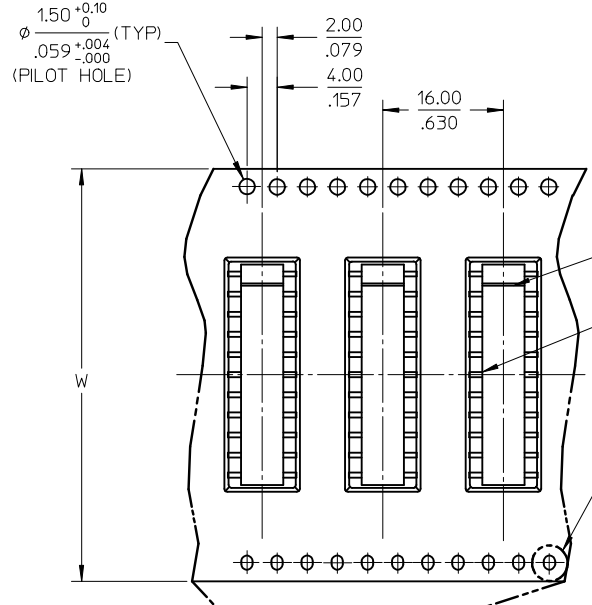
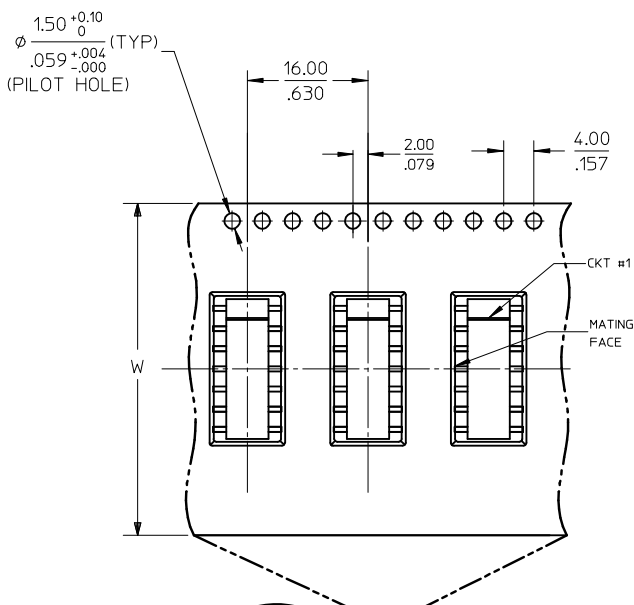


CORRECT PILOT HOLES LOCATION EC NO: S2010-0008 DRWN:SKANG 2009/07/14 CHKD:ATSEE 2009/07/14 APPR:MLONG 2009/07/17	QUALITY SYMBOLS ▽=0 ∇=0	GENERAL TOLERANCES (UNLESS SPECIFIED)		DIMENSION STYLE		SCALE	DESIGN UNITS	THIRD ANGLE PROJECTION	
		mm	INCH	MM/IN	NTS	METRIC	∅	∇	
D4	DESCRIPTION	4 PLACES	± ---	± ---	DRAWN BY	DATE	TITLE		
		3 PLACES	± ---	± .008	JSGOH	1999/02/12	MGRID SIDE ENTRY RECEPTACLE SMT		
		2 PLACES	± 0.20	± ---	CHECKED BY	DATE	MOLEX INCORPORATED		
		1 PLACE	± ---	± ---	LCHANG	1999/06/10	DOCUMENT NO.		
		ANGULAR ± 3 °				APPROVED BY	DATE	SHEET NO.	
DRAFT WHERE APPLICABLE MUST REMAIN WITHIN DIMENSIONS				JLIM	1999/06/17	SEE TABLE		SD-87368-001	
				MATERIAL NO.		THIS DRAWING CONTAINS INFORMATION THAT IS PROPRIETARY TO MOLEX INCORPORATED AND SHOULD NOT BE USED WITHOUT WRITTEN PERMISSION			
				SIZE	A3				

**EMBOSSED TYPE A**

**EMBOSSED TYPE B**

**EMBOSSED TYPE C**



- PEELING OFF FORCE OF THE TOP TAPE: 20-80gf. (PEELING DIRECTION AS SHOWN IN FOLLOWING FIGURE)
- 
- PACKAGING STANDARD IS AS PER EIA-481.
  - TAPE & REEL QUANTITY = 750PCS/REEL

CORRECT PILOT HOLES LOCATION EC NO: S2010-0008 DRWN:SKANG 2009/07/14 CHYKD:ATSEE 2009/07/14 APPR:MLONG 2009/07/17	DESCRIPTION D4	QUALITY SYMBOLS	GENERAL TOLERANCES (UNLESS SPECIFIED)	DIMENSION STYLE	SCALE	DESIGN UNITS	THIRD ANGLE PROJECTION	
		▼=0 ▽=0	mm      INCH 4 PLACES ± --- ± --- 3 PLACES ± --- ± .008 2 PLACES ± 0.20 ± --- 1 PLACE ± --- ± --- ANGULAR ± 3 °	MM/IN	N/T	METRIC		
				DRAWN BY: JSGOH      DATE: 1999/02/12	TITLE	MGRID SIDE ENTRY RECEPTACLE SMT MOLEX INCORPORATED		
				CHECKED BY: LCHANG      DATE: 1999/06/10				
				APPROVED BY: JLIM      DATE: 1999/06/17	MATERIAL NO.	DOCUMENT NO.	SHEET NO.	
			DRAFT WHERE APPLICABLE MUST REMAIN WITHIN DIMENSIONS	SEE TABLE	SD-87368-001		2 OF 2	
THIS DRAWING CONTAINS INFORMATION THAT IS PROPRIETARY TO MOLEX INCORPORATED AND SHOULD NOT BE USED WITHOUT WRITTEN PERMISSION								