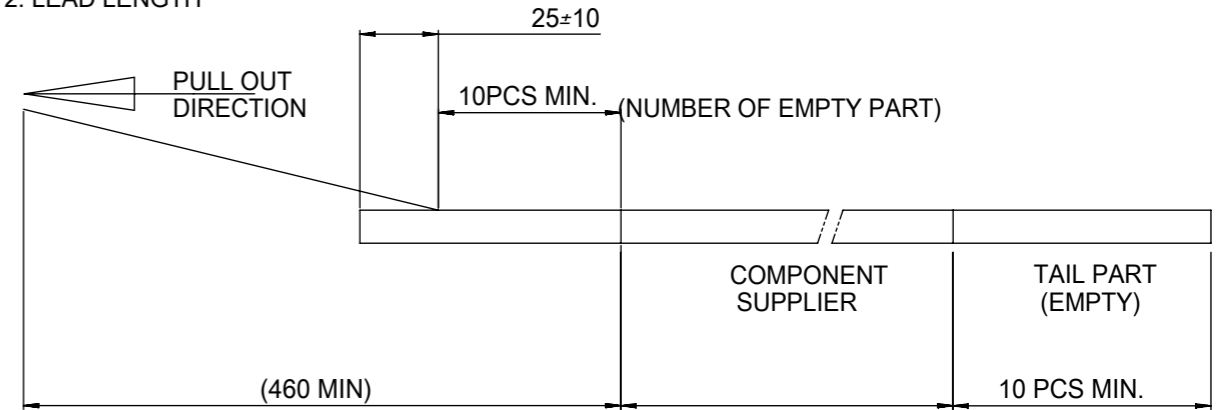


NOTES

1. QUANTITY OF CONNECTORS : 2,000PCS/REEL

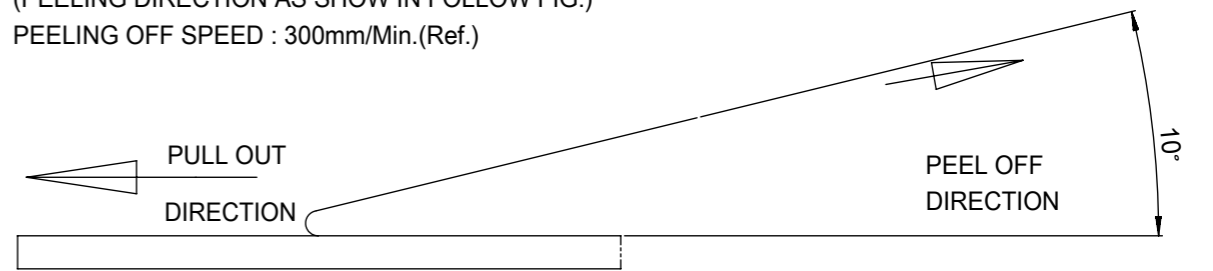
2. LEAD LENGTH



3. PEELING OFF FORCE OF COVER TAPE : 0.1N~0.59N(10.2GF~60GF)

(PEELING DIRECTION AS SHOW IN FOLLOW FIG.)

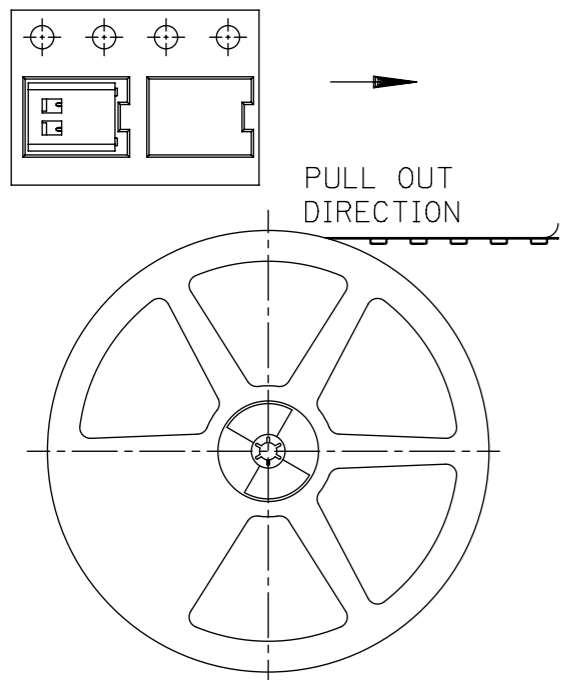
PEELING OFF SPEED : 300mm/Min.(Ref.)



4. FLASH IN ANY PORTION SHOULD BE LESS THAN 0.20mm MAX.

104050-0217	104050-0210	12.0mm	104050-9001
MATERIAL NO.	CONNECTOR	TAPE WIDTH	EMBOSS TAPE

3	PLASTIC BOBBIN	HI P.S	WHITE
2	COVER TAPE	PET ANTISTATIC	9.3mm
1	CARRIER (EMBOSSED) TAPE	PET ANTISTATIC	
NO.	DESCRIPTION	MATERIAL	REMARK



PLASTIC BOBBIN

SYMBOLS				THIS DRAWING CONTAINS INFORMATION THAT IS PROPRIETARY TO MOLEX ELECTRONIC TECHNOLOGIES, LLC AND SHOULD NOT BE USED WITHOUT WRITTEN PERMISSION			
▽ = 0	mm	SCALE	4:1	CURRENT REV DESC:			
▽ = 0	GENERAL TOLERANCES (UNLESS SPECIFIED)			EC NO: 604036			
▽ = 0	ANGULAR TOL ± 3.0°			DRWN: JSSHIN 2018/09/06			
▽ = 0	4 PLACES	±		CHK'D: SHCHU 2018/09/06			
▽ = 0	3 PLACES	±		APPR: SHCHU 2018/09/06			
▽ = 0	2 PLACES	±	0.2	INITIAL REVISION:			
▽ = 0	1 PLACE	±	0.2	DRWN: CBCHIN 2009/12/03			
▽ = 0	0 PLACES	±		APPR: YUNSIKKIM 2009/12/04			
■ = 0	DRAFT WHERE APPLICABLE MUST REMAIN WITHIN DIMENSIONS			THIRD ANGLE PROJECTION			
▽ = 0				DRAWING SERIES MATERIAL NUMBER CUSTOMER SHEET NUMBER			
				A3-SIZE		104050	
				1040500217		GENERAL MARKET	
				SD-104050-002		PSD 001 B1	
				104050		1 OF 1	