

MATERIAL NUMBER

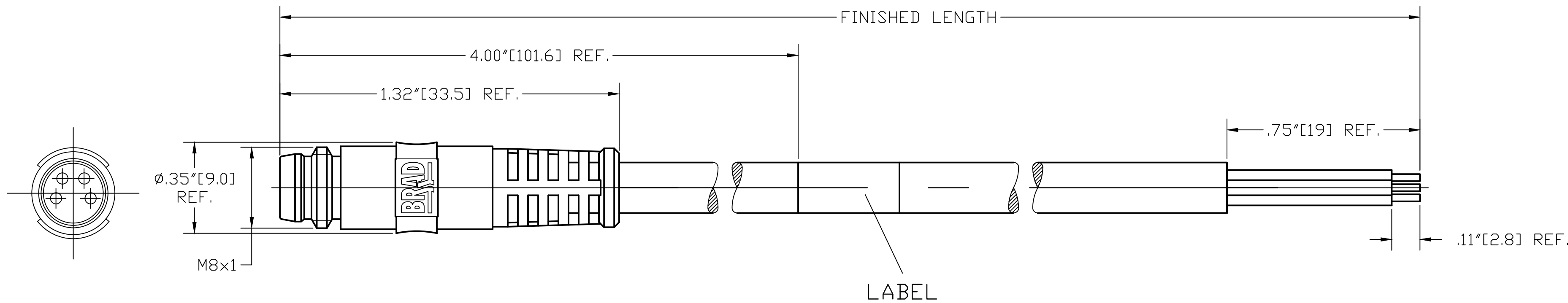
OLD PART NUMBER

FINISHED LENGTH

120088-8127

504006H08M020

6.56' +3.50" -0 [2.0M +88.9mm -0]



504006H08M020

Wire type
4x .25mm²
Black PUR

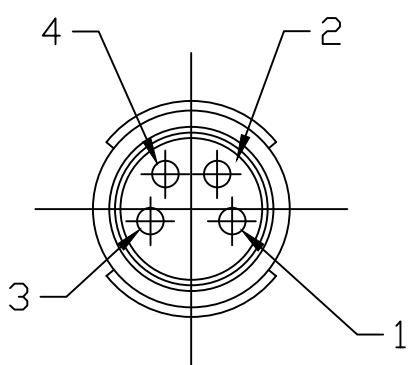
cable length
M020----2 Meter
M100----10 Meter

CONTACT:	GOLD/NICKEL OVER COPPER ALLOY
INSERT:	PUR, BLACK
MOLDED BODY:	TPU, NATURAL
VOLTAGE RATING:	60 VAC/75 VDC
AMPERAGE RATING:	3 AMPS
PROTECTION:	IP67
OPERATING TEMPERATURE:	-20°C TO 80°C

1	BROWN
2	WHITE
3	BLUE
4	BLACK

WIRING DIAGRAM

MALE INSERT FRONT VIEW



1-BROWN
2-WHITE
3-BLUE
4-BLACK

INITIAL RELEASE EC NO: IPG2014-0063 DRWN: EBRACKEN 2013/06/28 CH'KD: RSTONE APPR: BWOODMAN2013/08/16	REV DESCRIPTION	QUALITY SYMBOL	GENERAL TOLERANCES (UNLESS SPECIFIED) mm INCH 4 PLACES ±--- ±--- 3 PLACES ±--- ±.005 2 PLACES ±0.13 ±.010 1 PLACE ±0.25 ±.020 ANGULAR ±.5° DRAFT WHERE APPLICABLE MUST REMAIN WITHIN DIMENSIONS	DIMENSION STYLE	SCALE	DESIGN UNITS	THIRD ANGLE PROJECTION NANO-CHANGE ASSEMBLY 4 POLE MM ST LSOH SNAP .25 MOLEX INCORPORATED SD-120088-038 SHEET NO. 1 OF 1
		▽=0 ▽=0		IN/MM	---	INCH	
		DRAWN BY DATE EBRACKEN 2013/06/18 CHECKED BY DATE RSTONE APPROVED BY DATE BWOODMAN 2013/08/16		TITLE			
		MATERIAL NO. SEE CHART SIZE C		DOCUMENT NO.			

THIS DRAWING CONTAINS INFORMATION THAT IS PROPRIETARY TO MOLEX INCORPORATED AND SHOULD NOT BE USED WITHOUT WRITTEN PERMISSION