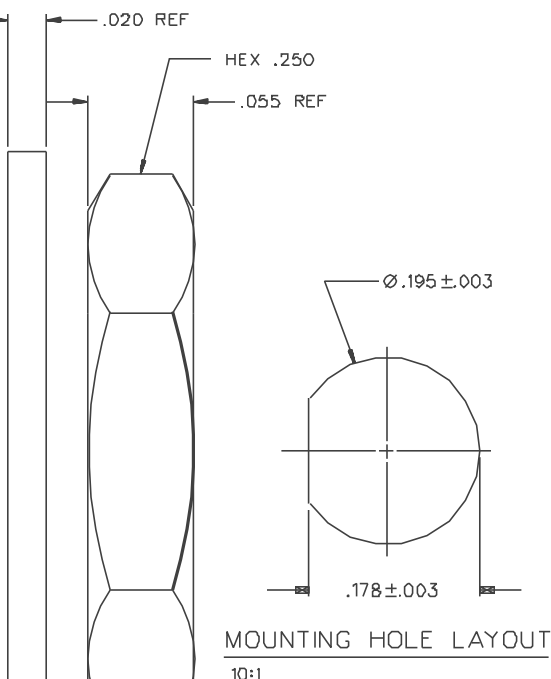
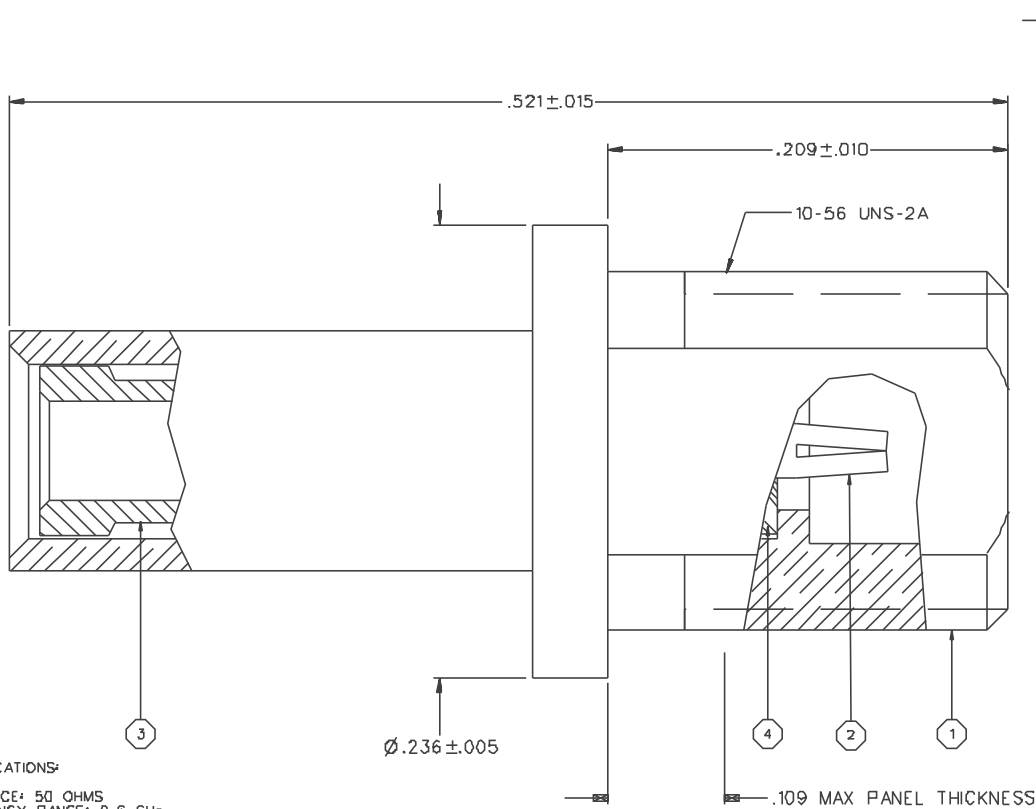
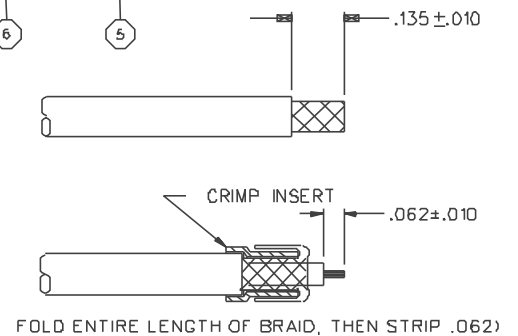


PART NUMBER 135-3336-401	ITEM ① BODY BRASS GOLD PL .00001 MIN OVER NICKEL PL .00005 MIN OVER COPPER PL .00005 MIN	ITEM ② CONTACT BERYLLIUM COPPER GOLD PL .00003 MIN OVER NICKEL PL .00005 MIN OVER COPPER PL .00005 MIN	ITEM ③ CRIMP INSERT BRASS GOLD PL .00001 MIN OVER NICKEL PL .00005 MIN OVER COPPER PL .00005 MIN	ITEM ④ INSULATOR TEFLON	ITEM ⑤ NUT BRASS GOLD PL .00001 MIN OVER NICKEL PL .00005 MIN OVER COPPER PL .00005 MIN	ITEM ⑥ LOCKWASHER PHOSPHOR BRONZE GOLD PL .00001 MIN OVER NICKEL PL .00005 MIN OVER COPPER PL .00005 MIN
-----------------------------	---	---	---	-------------------------------	--	---

DRAWING NO. C - 135-3336-401/410
0 REVISIONS
ENGINEERING RELEASE
1 1-26-DD R H K B ECN 46903



NOTES:
1. SPECIFICATIONS:
IMPEDANCE: 50 OHMS
FREQUENCY RANGE: 0-6 GHz
VSWR: 1.25 MAX (IF IN GHz)
WORKING VOLTAGE: 170 VRMS MAX AT SEA LEVEL
DIELECTRIC WITHSTANDING VOLTAGE: 500 VRMS MIN AT SEA LEVEL
INSULATION RESISTANCE: 1000 MEGOHM MIN
CONTACT RESISTANCE:
CENTER CONTACT - INITIAL 5.0 MILLIOHM MAX, AFTER ENVIRONMENTAL 8.0 MILLIOHM MAX
OUTER CONDUCTOR - GOLD PLATED INITIAL 1 MILLIOHM MAX, AFTER ENVIRONMENTAL 1.5 MILLIOHM MAX
BODY TO BRAID - GOLD PLATED INITIAL 1.5 MILLIOHM MAX, AFTER ENVIRONMENTAL NOT APPLICABLE
CORONA LEVEL: 190 VOLTS MINIMUM AT 70,000 FEET
INSERTION LOSS: 0.1DB MAX AT 1 GHZ
RF LEAKAGE: -6D DB AT 2.5 GHZ
RF HIGH POTENTIAL WITHSTANDING VOLTAGE: 400 VRMS AT 4 AND 7 MHZ
MECHANICAL:
ENGAGE/DISENGAGE FORCE: 8.0 LBS MAX ENGAGEMENT
1.4 LBS MIN DISENGAGEMENT
CONTACT RETENTION FORCE: 2.0 LBS MIN AXIAL FORCE
CONTACT RETENTION TORQUE: NOT APPLICABLE
COUPLING MECHANISM RETENTION: NOT APPLICABLE
CABLE ACCEPTABILITY: .047 DIA. FLEXIBLE, HUBER K01152-07, AXON P512479A, ASTROLAB 3201BDS
CABLE HEX CRIMP SIZE: .105 HEX
CABLE RETENTION: 3.5 LBS
DURABILITY: 500 CYCLES MIN



CUSTOMER DRAWING
THIS DRAWING TO BE INTERPRETED PER ANSY 14.5M - 1982
"µSTATION"
COMPANY CONFIDENTIAL

ENVIRONMENTAL:
(MEETS OR EXCEEDS THE APPLICABLE PARAGRAPH OF MIL-C-39012)
THERMAL SHOCK: MIL-STD-202, METHOD 107, CONDITION C, EXCEPT -55 DEG C TO 155 DEG C
OPERATING TEMPERATURE: -55 DEG C TO 155 DEG C
CORROSION: MIL-STD-202, METHOD 101, CONDITION B
SHOCK: MIL-STD-202, METHOD 213, CONDITION B
VIBRATION: MIL-STD-202, METHOD 204, CONDITION D
MOISTURE: MIL-STD-202, METHOD 106

TOLERANCE UNLESS OTHERWISE SPECIFIED	DRAWN BY T.A.Kari	DATE 11-19-99	
DECIMALS _____ mm	CHECKED BY	DATE	
.XX _____	TAK	2-15-00	TITLE ASSEMBLY JACK STRAIGHT CABLED BULKHEAD, MMCX DIA .047 FLEX
.XXX _____	APPROVED BY TAK	DATE 2-15-00	CODE NO.
MATL _____	APPROVED BY RJB	DATE 2-15-00	DRAWING NO. C - 135-3336-401/410
FINISH _____	RELEASE DATE		SCALE 20:1 W/M INCH SHEET 2 OF 2