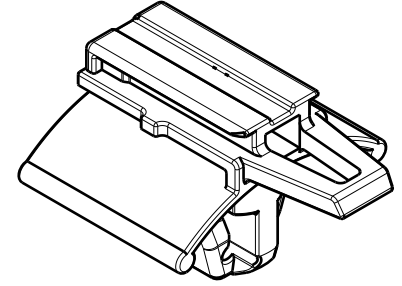
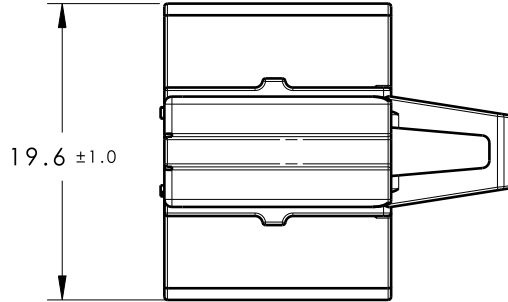


Revision Level			Revision Record	Changed	Date	Approved	Date
Drawing	State	Part					
04.1	Design Release	-	SEE ECN# 014542	NHK	07/26/18	EJH	07/26/18

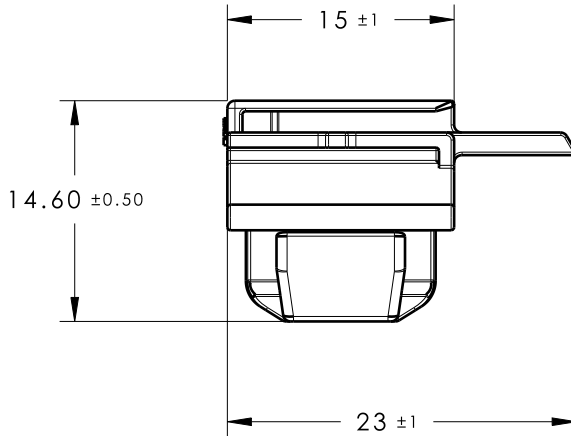
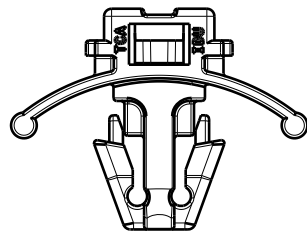
REFERENCE:

PERFORMANCE REQUIREMENTS AT DRY AS MOLDED:

1. ARROWHEAD PUSH IN FORCE: 45 NEWTONS (10 LBS) MAX IN EACH APPLICABLE OVAL HOLE SIZE AND A PLATE THICKNESS OF 1.8mm.
2. ARROWHEAD PULL OUT FORCE: 110 NEWTONS (25 LBS) MIN IN EACH APPLICABLE OVAL HOLE SIZE AND A PLATE THICKNESS OF 1.8mm.
3. SHEET METAL THICKNESS RANGE: 0.70mm - 3.00mm
4. APPLICABLE OVAL HOLE SIZES:  
C. 6.5 X 13.0mm +/-0.25
5. MAXIMUM PERCENT REGRIND PERMISSIBLE: 25%
6. MAX ALLOWABLE FLASH OR MISMATCH TO BE: 0.25mm



ISOMETRIC VIEW



GLOBAL PART NAME	MATERIAL	COLOR
CCIVSFT6.5x130-PA66HIRHS-BK	PA66HIRHS	BLACK

Material  COLOR: SEE TABLE	Units <b>millimeters</b>	The copyright of this drawing is reserved by HellermannTyton. It is issued on condition that it is not reproduced, copied or disclosed to a third party, either wholly or in part, without the consent of HellermannTyton.	Drawn	CTF	10/02/17	Article/Type-No	CCIVSFT6.5X130	Scale	2:1
	Tolerance defined on each dimension		Approved	KAC	10/02/17	Title	PLUG FIXING IV	Project Number	05-024
			<b>HellermannTyton</b> North America Email: corp@htamericas.com Web: www.hellermann.tyton.com			Drawing-No	PRODUCTION : Phase	Format	AH
						<b>05-024-001-CSU</b>		Sheet	1/1