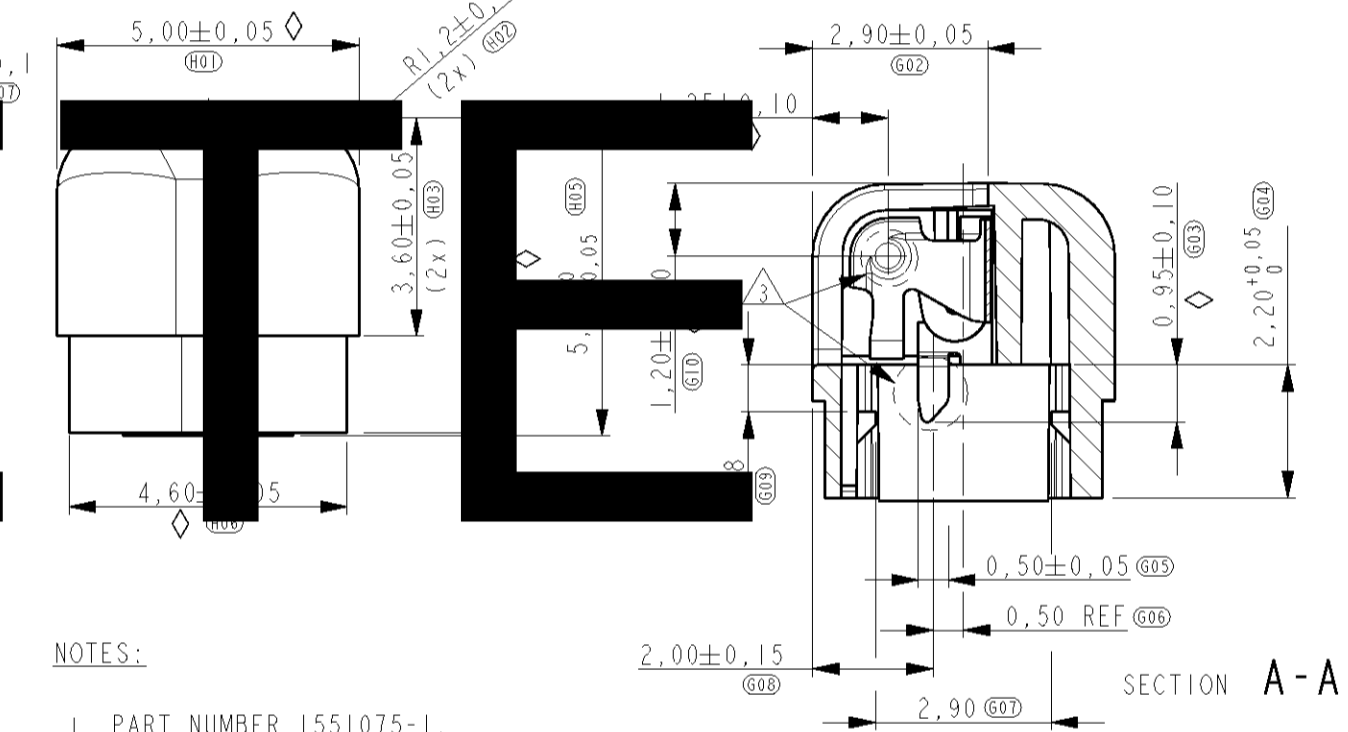
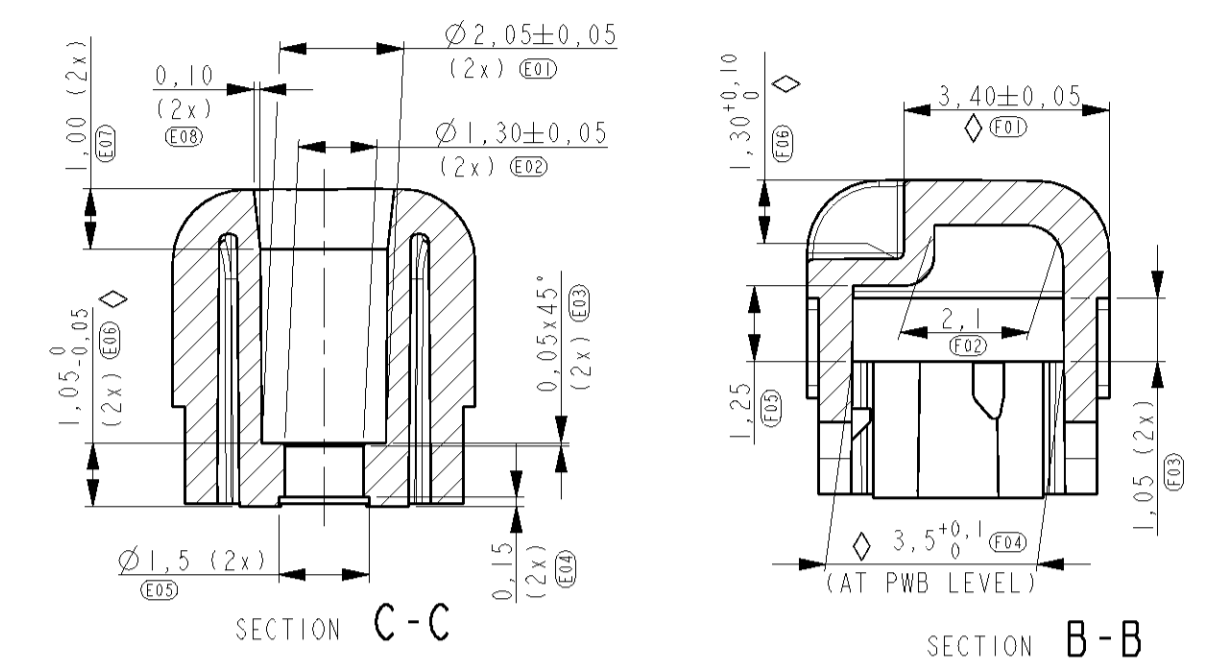
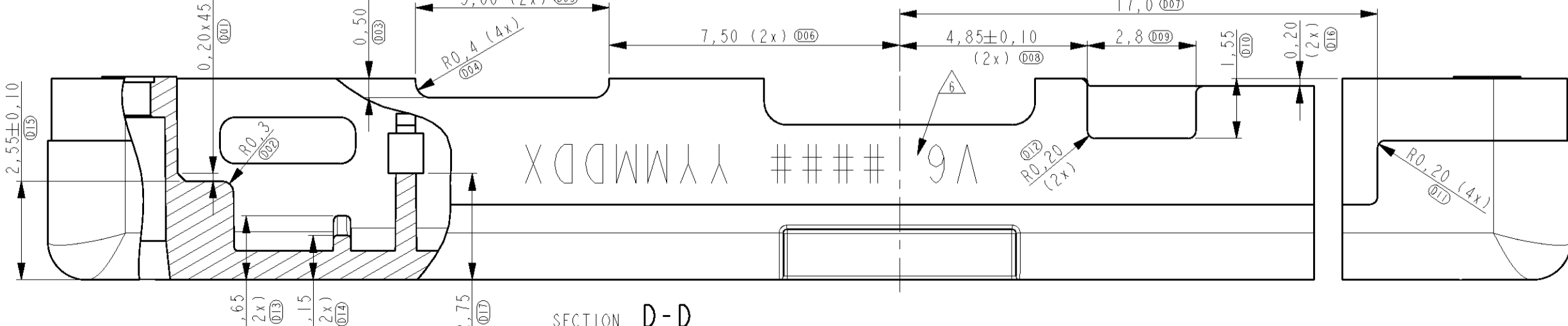
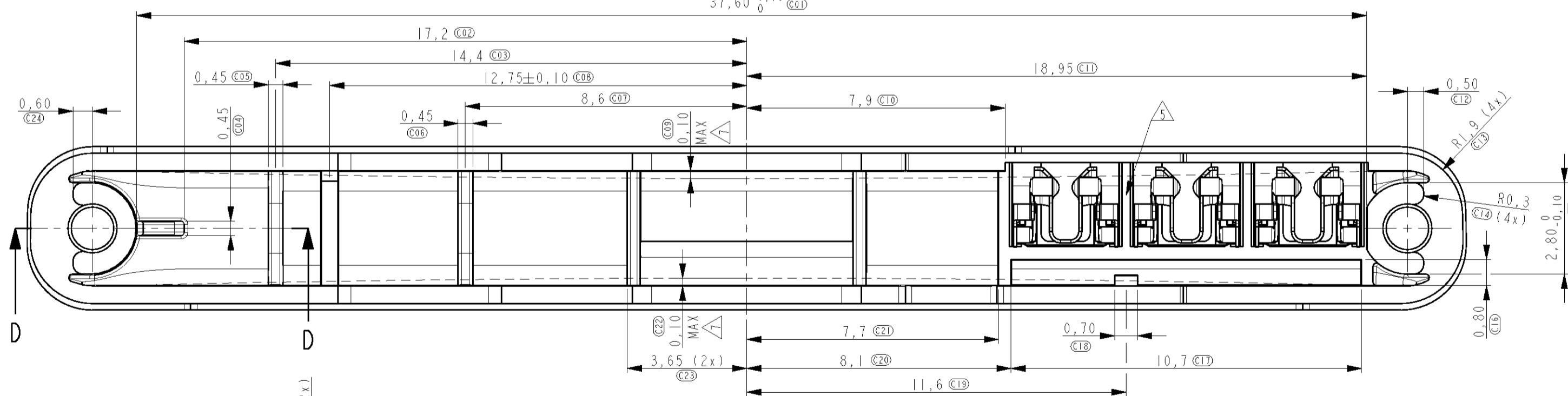
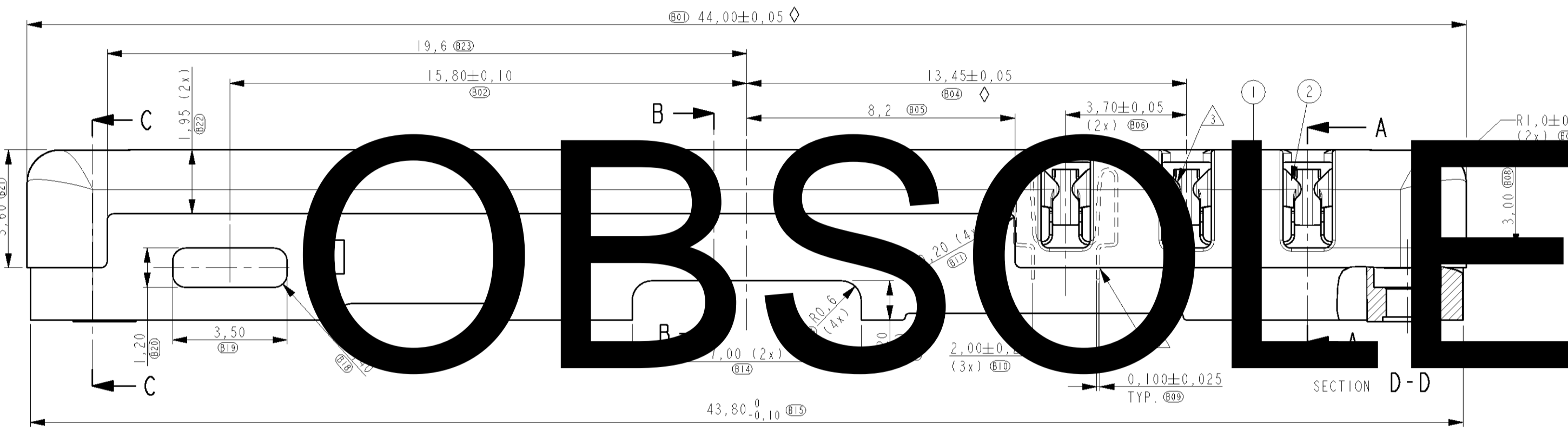
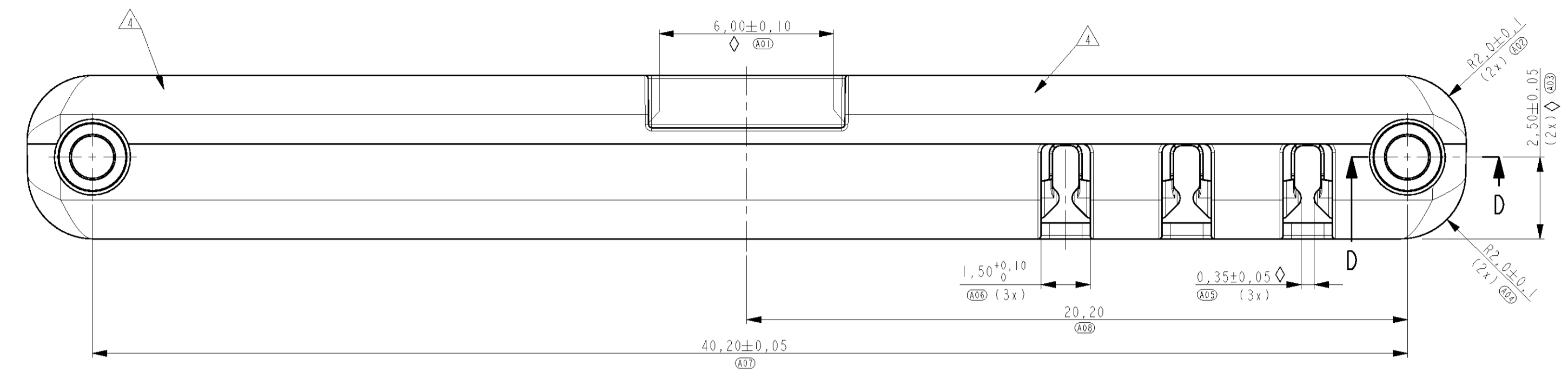


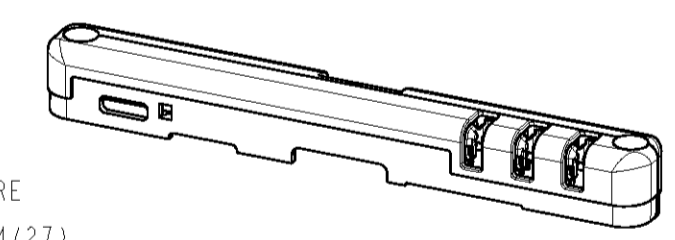
THIS DRAWING IS UNPUBLISHED. RELEASED FOR PUBLICATION
 © COPYRIGHT - BY TYCO ELECTRONICS CORPORATION. ALL RIGHTS RESERVED.

LOC		DIST		REVISIONS			
P	LTR	DESCRIPTION	DATE	DWN	APVD		
9		DIM A07, A08, C01, C11, D17, E06 CHANGE. V5	09SEP2009	PW	DH		
10		ADD DIM E07, E08. V6	26NOV2009	PW	DH		
A		ECR-10-018708	08SEP2010	PW	DH		



NOTES:

- PART NUMBER 1551075-1.
- DRAWING REPRESENTS PART VERSION "V6".
- PLATING:
 1. 2µm MIN. NICKEL ALL OVER
 2. 0.8µm MIN. GOLD ON CONTACT POINTS
 3. 3.0µm MIN. TIN ON SOLDER AREA
- SURFACE TEXTURE Ra 1.9µm (TOOL TEXTURE SPARK ERODED ACCORDING TO VDI 3400-24/27)
 COLOUR: BLACK (PANTONE 3U2X).
- MARKING: MOLD CAVITY IDENTIFICATION.
- MARKING: VERSION (V6), PROCESS ID (####), PRODUCTION DATE (YYMMDDX).
 MARKING NOT IN COSMETIC AREA.
- MAXIMUM WARPAGE, INWARD ONLY.
- HOUSING MOULDED WITH VIRGIN MATERIAL



2	CONTACT	COPPER ALLOY	GOLD PLATED
1	HOUSING	PA 6T, 35% GF	
ITEM NO.	DESCRIPTION	MATERIAL	FINISH

THIS DRAWING IS A CONTROLLED DOCUMENT FOR TYCO ELECTRONICS CORPORATION IT IS SUBJECT TO CHANGE AND THE CONTROLLING ENGINEERING ORGANIZATION SHOULD BE CONTACTED FOR THE LATEST REVISION		DWN P.Willems 21-JAN-09 CHK H.d.Otter 21-JAN-09 APVD D.Halberstadt 21-JAN-09	TYCO ELECTRONICS NEDERLAND B.V. 's-HERTOGENBOSCH, THE NETHERLANDS
DIMENSIONS: mm		PRODUCT SPEC 108-19276	NAME RECEPTACLE CONNECTOR 3 POSITION, BP-4L BATTERY BLOCK
TOLERANCES UNLESS OTHERWISE SPECIFIED: 0 PLC ±0.2 1 PLC ±0.1 2 PLC ±0.05 3 PLC ±0.05 4 PLC ± ANGLES ± FINISH ±		APPLICATION SPEC 114-19088	SIZE CAGE CODE DRAWING NO A2 00779 C-1551075
MATERIAL -		WEIGHT 618 mg	RESTRICTED TO -
CUSTOMER DRAWING		SCALE 8:1	SHEET OF REV A