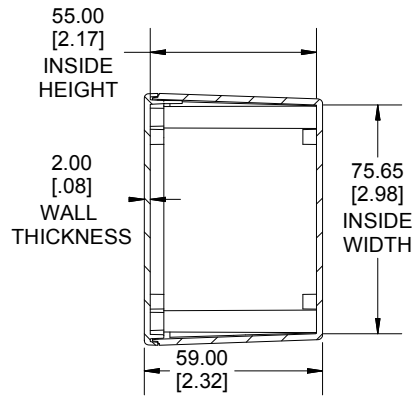
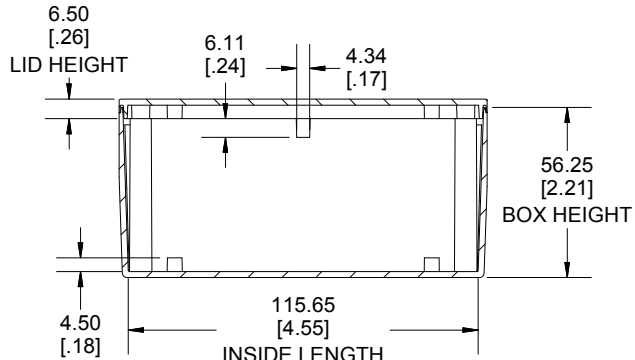


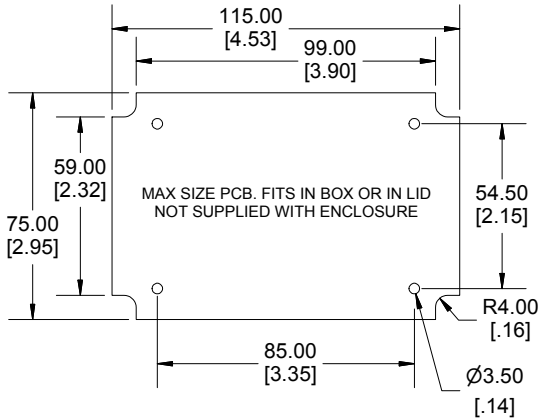
**TOP VIEW**



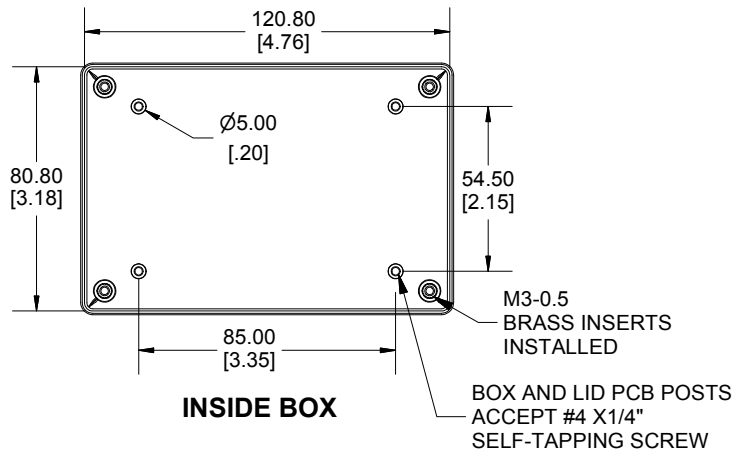
**SECTION B-B  
END VIEW**



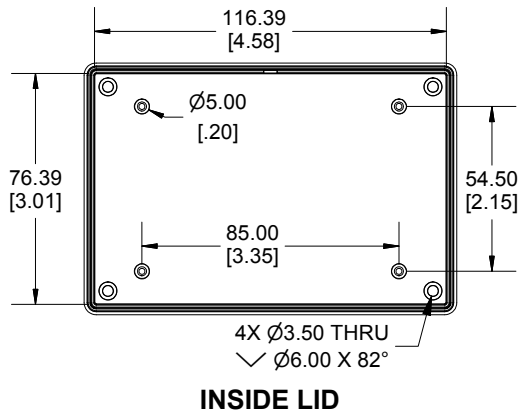
**SECTION A-A  
SIDE VIEW**



MAX SIZE PCB. FITS IN BOX OR IN LID  
NOT SUPPLIED WITH ENCLOSURE



**INSIDE BOX**



**INSIDE LID**

Dimensions:  
mm  
[inches]

Enclosures can be Factory Modified ( Milling, Drilling, Printing etc.)  
Contact Factory [mjm@hammondmfg.com](mailto:mjm@hammondmfg.com) for quotes  
Solid models of this enclosure available in STEP or IGES.  
(Part number and text placement/orientation on our products are subject to change,  
we do not recommend using them as a locating reference for modification purposes)

**NOTE**

Purchased assembly includes box, lid, 4 cover screws and installed brass inserts.  
Enclosure molded from FRABS UL 94-V0 Plastic.  
Other materials / colours available consult factory.

Recommended Torque : (43-50) Ozf.in / (30-35) cNm

**PART NUMBERS**

1591XXT Enclosure	
Black Textured Enclosure	1591XXTBK
Gray Textured Enclosure	1591XXTGY
ACCESSORIES	
Black Cover Screws [M3-0.5 X10mm]	1591MS100BK (Pkg 100)
Plated Cover Screws [M3-0.5 X10mm]	1591MS100 (Pkg 100)
P.C. Board Screws	1593ATS50 (Pkg 50)
[#4 x 1/4" self-tapping (6.4mm)]	1593ATS100 (Pkg 100)



**HAMMOND  
MANUFACTURING®**

**1591XXT**

[www.hammondmfg.com](http://www.hammondmfg.com)