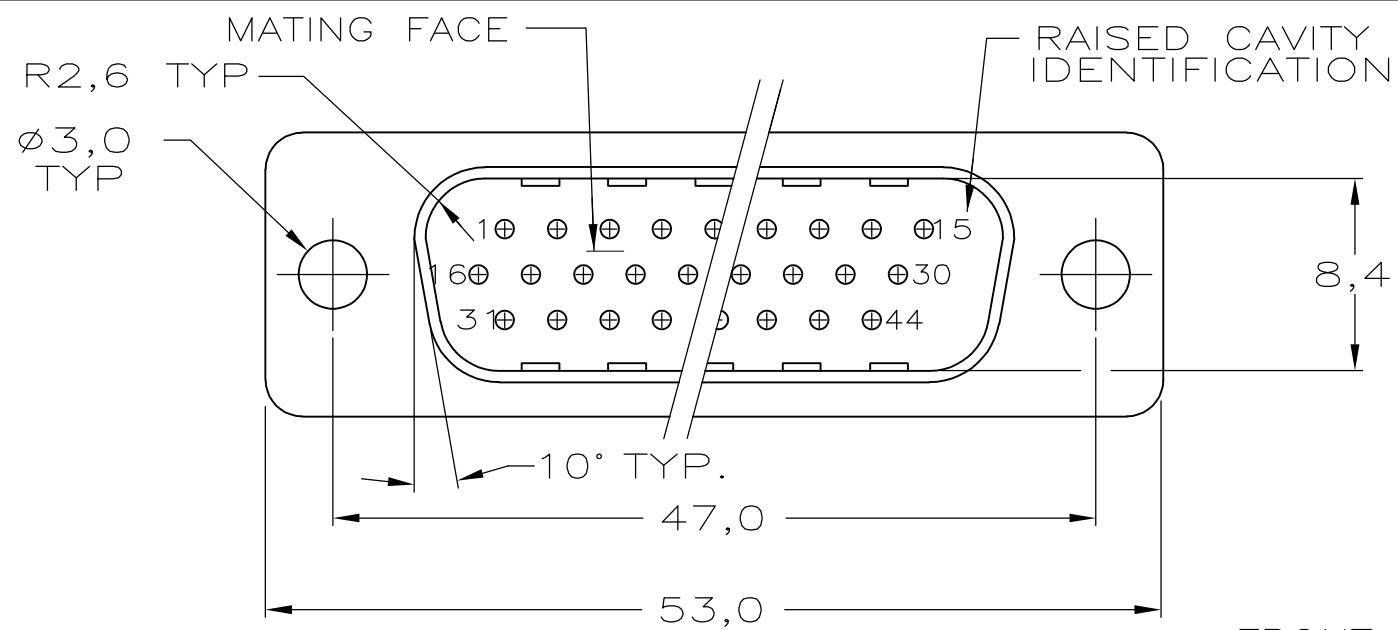
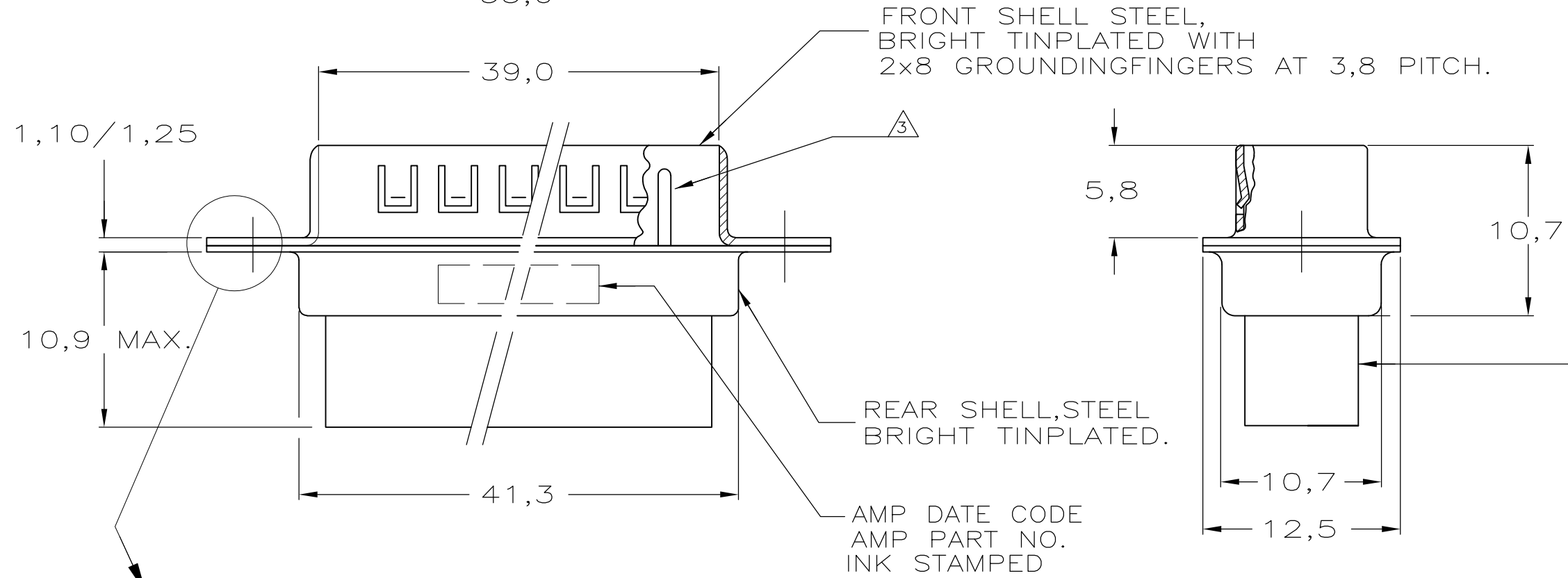


THIS DRAWING IS UNPUBLISHED. RELEASED FOR PUBLICATION
 © COPYRIGHT - By - ALL RIGHTS RESERVED.

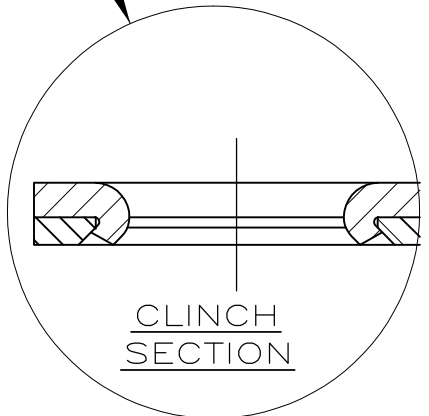
REVISIONS				
P	LTR	DESCRIPTION	DATE	APVD
D		REVISED PER ECO-16-001693	25AUG2016	AP DG



- 1 THIS PLUG ACCEPTS SIZE 22 PIN CONTACTS
- 2 RETENTION TINES ARE AN INTEGRAL PART OF INSERT.
- 3 CONTACTS SHOWN FOR ILLUSTRATION ONLY, NO PART OF CONNECTOR PACKAGE, MUST BE ORDERED SEPARATELY.
- 4 CONTACT INSERTION/REMOVAL TOOL AMP P.N. 91285-1 IS RECOMMENDED FOR USE WITH THESE CONNECTORS



INSERTS: NYLON
 GLASS-FILLED
 SELF-EXTINGUISHING
 COLOR: BLACK



2196156-1 AS SHOWN

THIS DRAWING IS A CONTROLLED DOCUMENT.		DWN J. v. LIEMPT 06DEC1988	STE TE Connectivity	
DIMENSIONS: mm		CHK -		
TOLERANCES UNLESS OTHERWISE SPECIFIED:		APVD -	NAME	
0 PLC ± -		PRODUCT SPEC -	HDP-22 PLUG CONNECTOR, SIZE 3, (44 POSITION)	
1 PLC ± -		APPLICATION SPEC -	-	
2 PLC ± -		WEIGHT 0.000000	SIZE A3	CAGE CODE 00779
3 PLC ± -		CUSTOMER DRAWING	DRAWING NO C-216156	RESTRICTED TO -
4 PLC ± -			SCALE NTS	SHEET 1 OF 1
ANGLES ± -				
FINISH -				