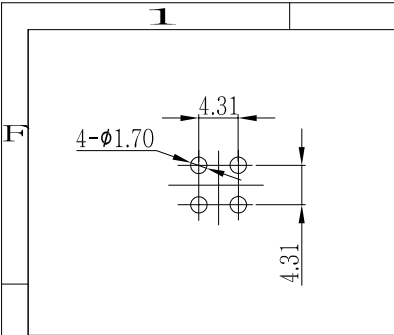
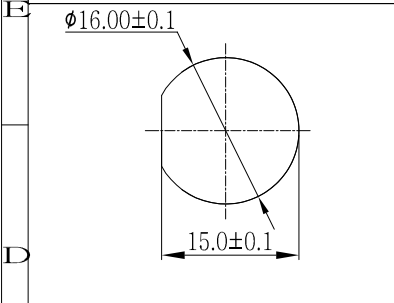


REV.	ECN NO.	DESCRIPTION	SIGN	DATE
C1	N/A	INITIAL DRAWING	Yumer	2020/04/24

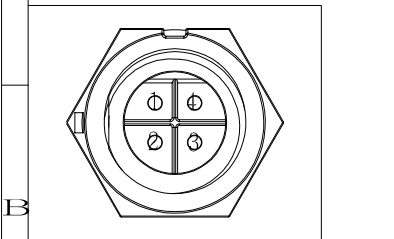


4 Pin  
PCB Layout



Recommended Panel Cut-Out

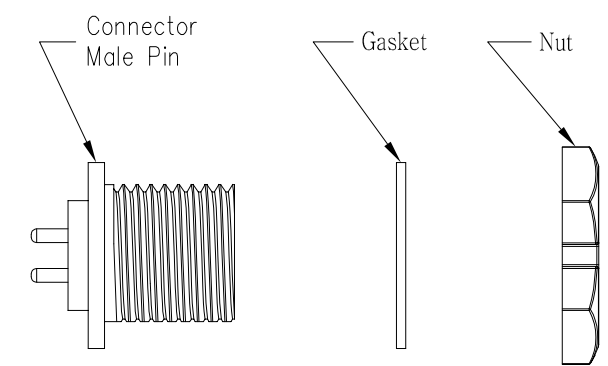
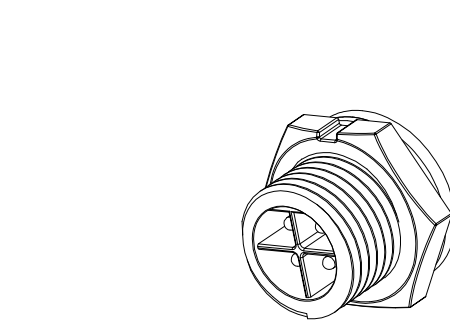
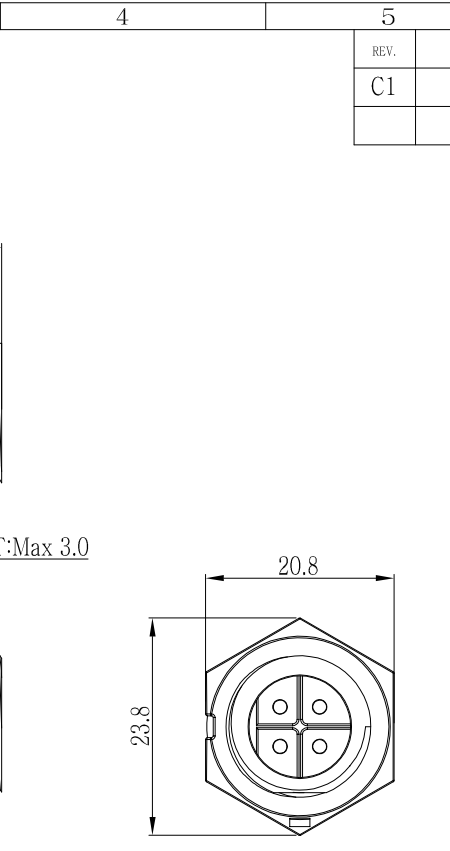
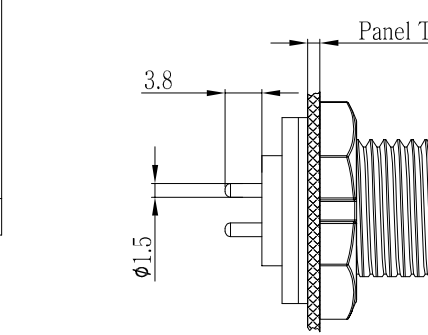
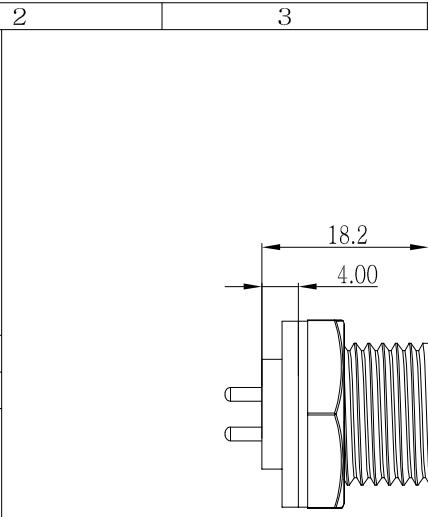
22XXX515-02  
Pin Number



4 Pin  
P/N: 22004515-02

Pin Assignments  
Front View

UNIT:mm	
TOLERANCE	
.X	±0.25
.XX	±0.15
.XXX	±0.05
ANGLES	±1°



- Specification:
- 1.Operation Temperature:-45°C~105°C.
  - 2.Insulation Resistance:100MΩ at DC500V.
  - 3.Contact Resistance:<10mΩ.
  - 4.Withstand Voltage: 1500V AC
  - 5.Operating Current:10A
  - 6.Operating Voltage:AC 125V
  - 7.Waterproof Rate:IP67 (Mated)
  - 8.Connector:Nylon, Black
  - 9.Male Pin:Copper Alloy, Gold Plated
  - 10.Gasket:Silicon Gray
  - 11.Panel Nut:Nylon, Orange
  - 12.Torque Rate:0.8~1.0N • m
  - 13.RoHS Compliant.
  - 14.Mating Cap P/N:806-00030-00

DESCRIPTION	Standard Series Screw Front Mount With Male Pin(PCB)		
SCALE:	1:1	SHEET	1 OF 1
REV.	C1	SIZE	A4
			* :Inspection Item



PART NO	22XXX515-02	DRAWN BY	Yumer	DATE	2020/04/24
DWG NO		CHECKED BY	Ivan	DATE	2020/04/24
CUSTOMER		APPROVED BY	Panson	DATE	2020/04/24

F  
E  
D  
C  
B  
A

1 2 3

4

5 6 7 8

THIS INFORMATION IS CONFIDENTIAL AND IS DISCLOSED TO YOU ON CONDITION THAT NO FURTHER DISCLOSURE IS MADE BY YOU TO OTHER THAN CHOGORI PERSONNEL WITHOUT AUTHORIZATION FROM CHOGORI CORP.