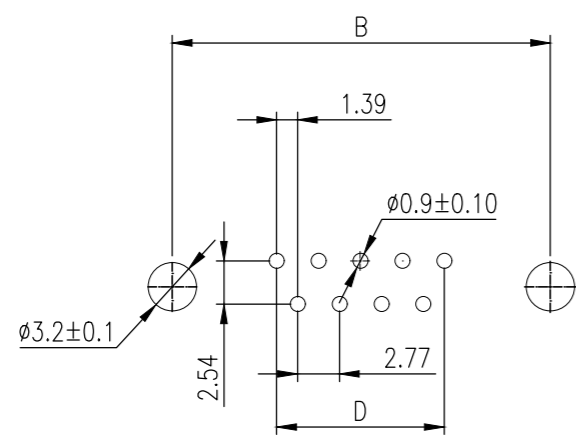
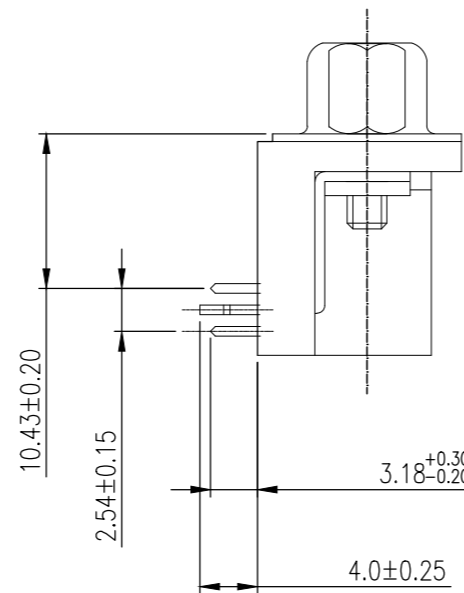
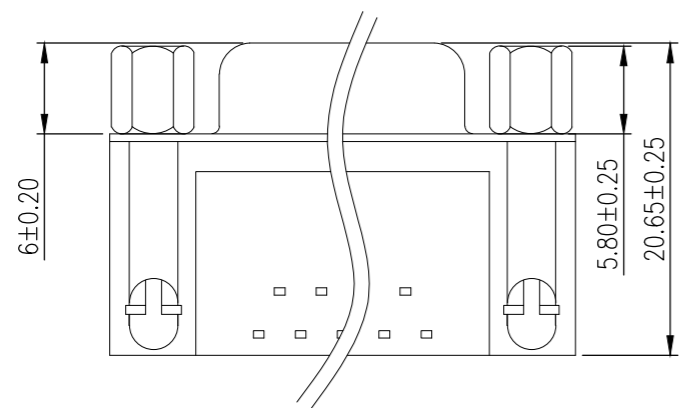
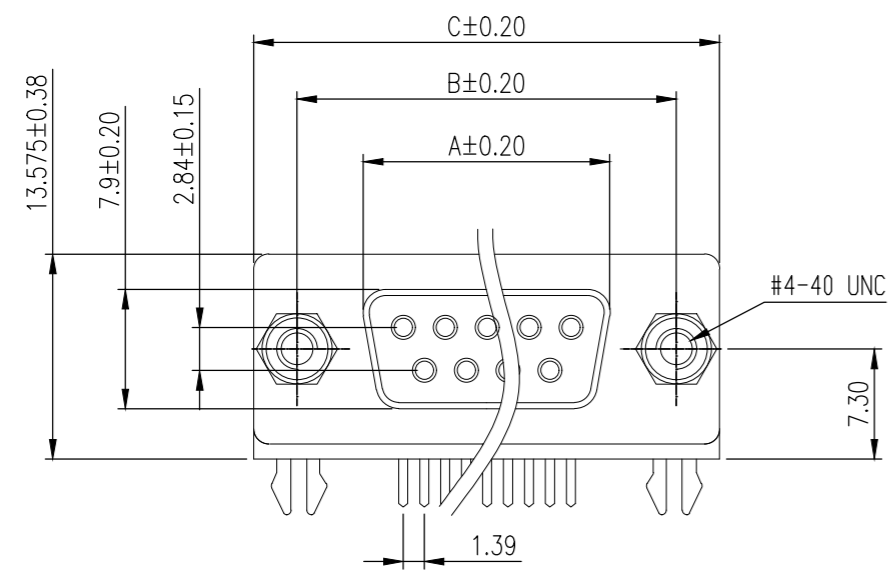


THIS DRAWING IS UNPUBLISHED. RELEASED FOR PUBLICATION
 © COPYRIGHT - By - ALL RIGHTS RESERVED.

| REVISIONS | | | | | |
|-----------|-----|---------------------------|-----------|-----|------|
| P | LTR | DESCRIPTION | DATE | DWN | APVD |
| H | | REVISED PER ECO-18-009360 | 15JUN2018 | AP | DG |



P.C.B LAYOUT

| PRAT NUMBER | No. of Contact | A ±0.20 | B ±0.20 | C ±0.20 | D |
|-------------|----------------|---------|---------|---------|-------|
| 2301846-1 | 25 | 38.33 | 47.04 | 53.04 | 33.24 |

NOTE:

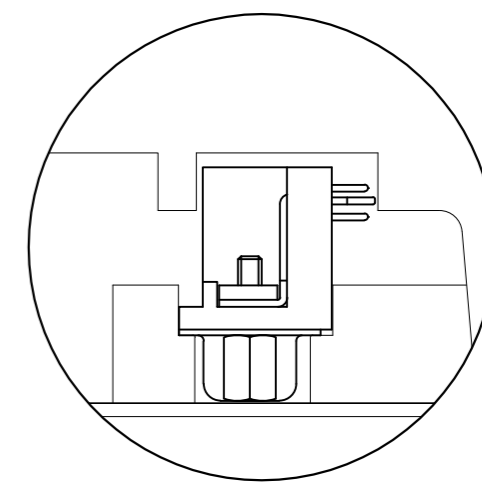
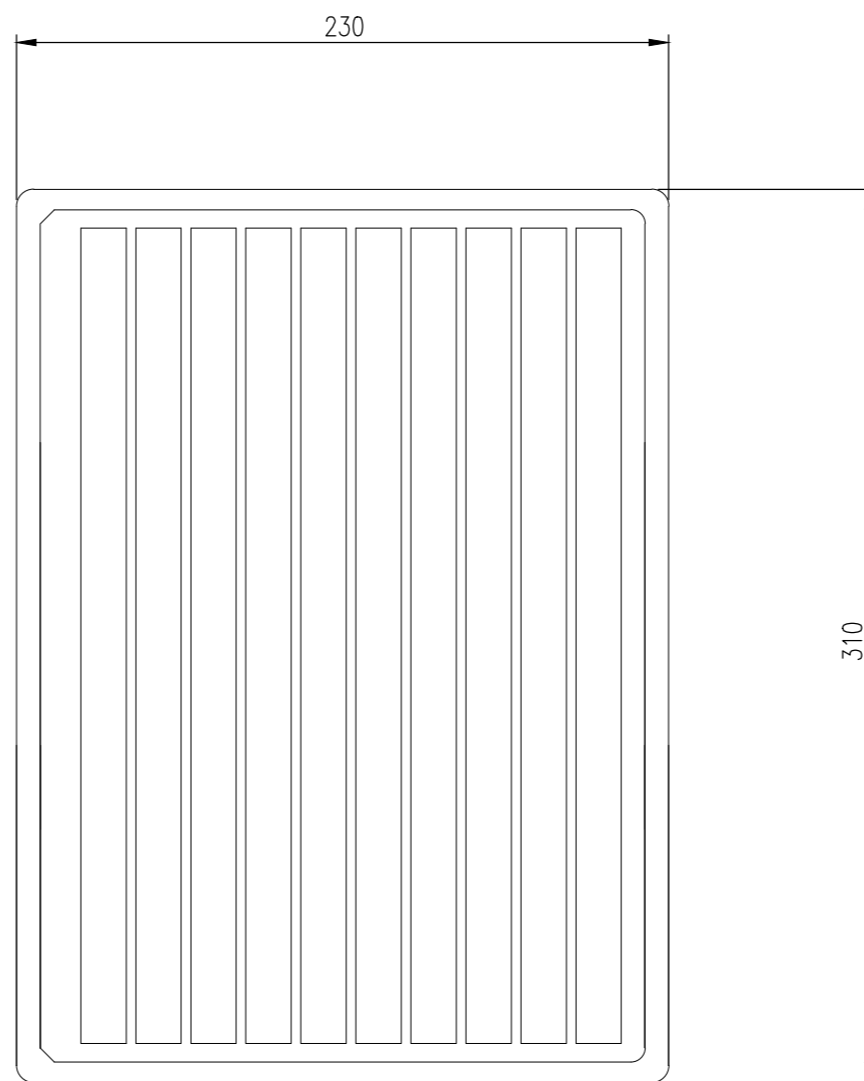
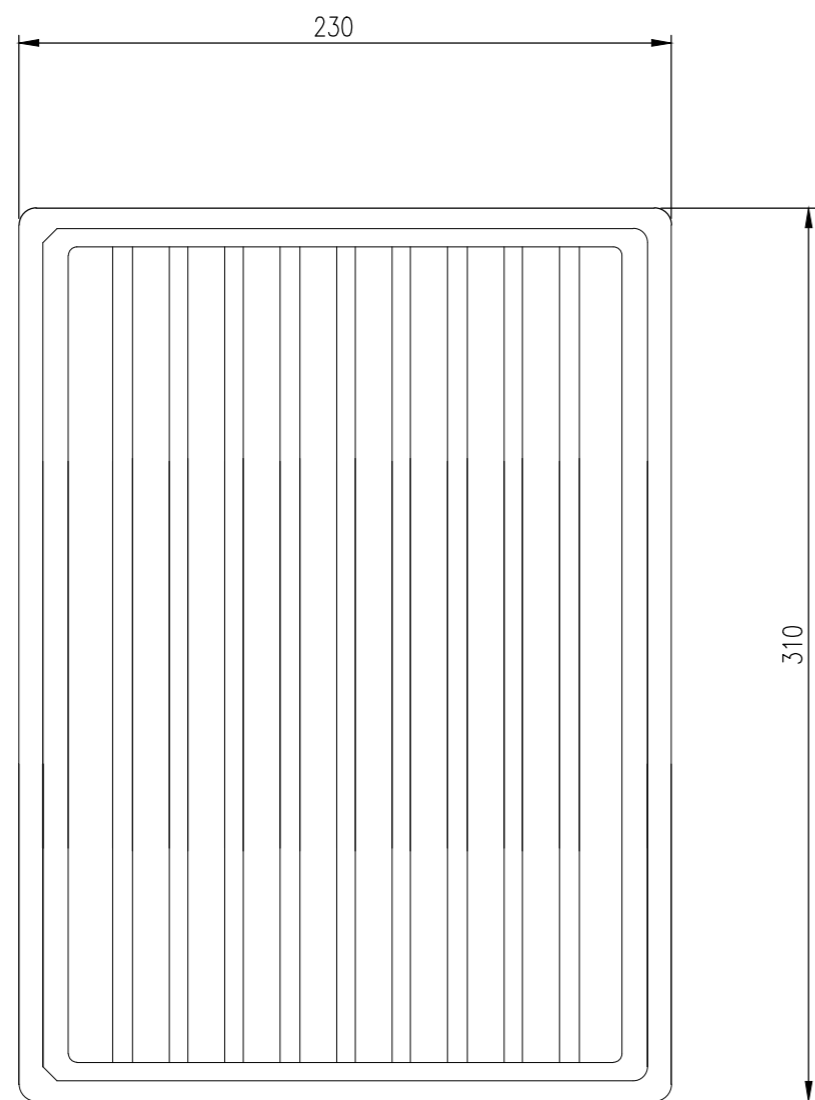
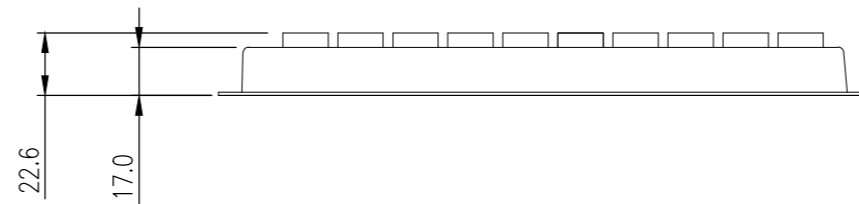
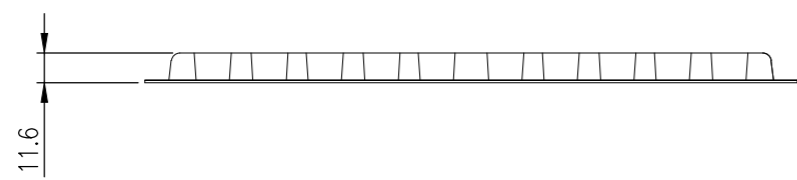
- MATERIAL:
 HOUSING: PBT WITH 20% GF UL 94 V-0, BLACK COLOR
 CONTACTS: PHOSPHOR BRONZE.
 SHELL: STEEL
 GROUNDING BRACKET: BRASS
 RIVETED INSERT: BRASS
 SCREWLOCK: BRASS
- FINISH:
 CONTACTS: 0.36 μm [15 μ"] GOLD IN CONTACT AREA.
 2.54 μm [100 μ"] MATTE TIN ON SOLDER TAILS
 1.27 μm [50 μ"] NICKEL UNDERPLATE OVERALL
 SHELL: 2.54 μm [100 μ"] NICKEL
 RIVET: 1.27 μm [50 μ"] NICKEL
 SCREWLOCK: 1.27 μm [50 μ"] NICKEL
 BOARDLOCK: 1.27 μm [50 μ"] MIN NICKEL UNDERPLATE.
 2.54 μm [100 μ"] MIN MATTE TIN PLATE.
- WAVE SOLDER CAPABLE TO 265°C PER TE TEST SPEC. 109-202, CONDITION B.

2301846

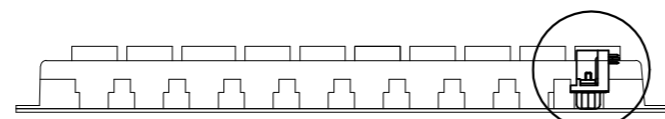
| | | | | | | | |
|--|--|------------------|------------|-----------|---|-----------|-------------------------------------|
| THIS DRAWING IS A CONTROLLED DOCUMENT. | | DWN | AJITH PAI | 07FEB2017 | 25W D SKT W B/L & 4-40 S/LOCK 15U" GOLD | | 2301846-1 |
| DIMENSIONS: mm | | CHK | DAN GORENC | 07FEB2017 | DESCRIPTION | | TE PART NO |
| TOLERANCES UNLESS OTHERWISE SPECIFIED: | | APVD | | 07FEB2017 | | | |
| 0 PLC ± - | | PRODUCT SPEC | 108-130013 | | NAME | | 25 WAY D-SUB SOCKET WITH BOARD LOCK |
| 1 PLC ± 0.38 | | APPLICATION SPEC | | | SIZE | CAGE CODE | DRAWING NO |
| 2 PLC ± 0.25 | | WEIGHT | 0 | | A2 | 00779 | C=2301846 |
| 3 PLC ± 0.10 | | CUSTOMER DRAWING | | | SCALE | SHEET | REV |
| 4 PLC ± - | | | | | 3:1 | 1 of 3 | H |
| ANGLES ± - | | | | | | | |
| FINISH | | | | | | | |

THIS DRAWING IS UNPUBLISHED. RELEASED FOR PUBLICATION
 © COPYRIGHT - By - ALL RIGHTS RESERVED.

| REVISIONS | | | | | |
|-----------|-----|-------------|------|-----|------|
| P | LTR | DESCRIPTION | DATE | DWN | APVD |
| - | - | SEE SHEET 1 | - | - | - |



DETAIL A

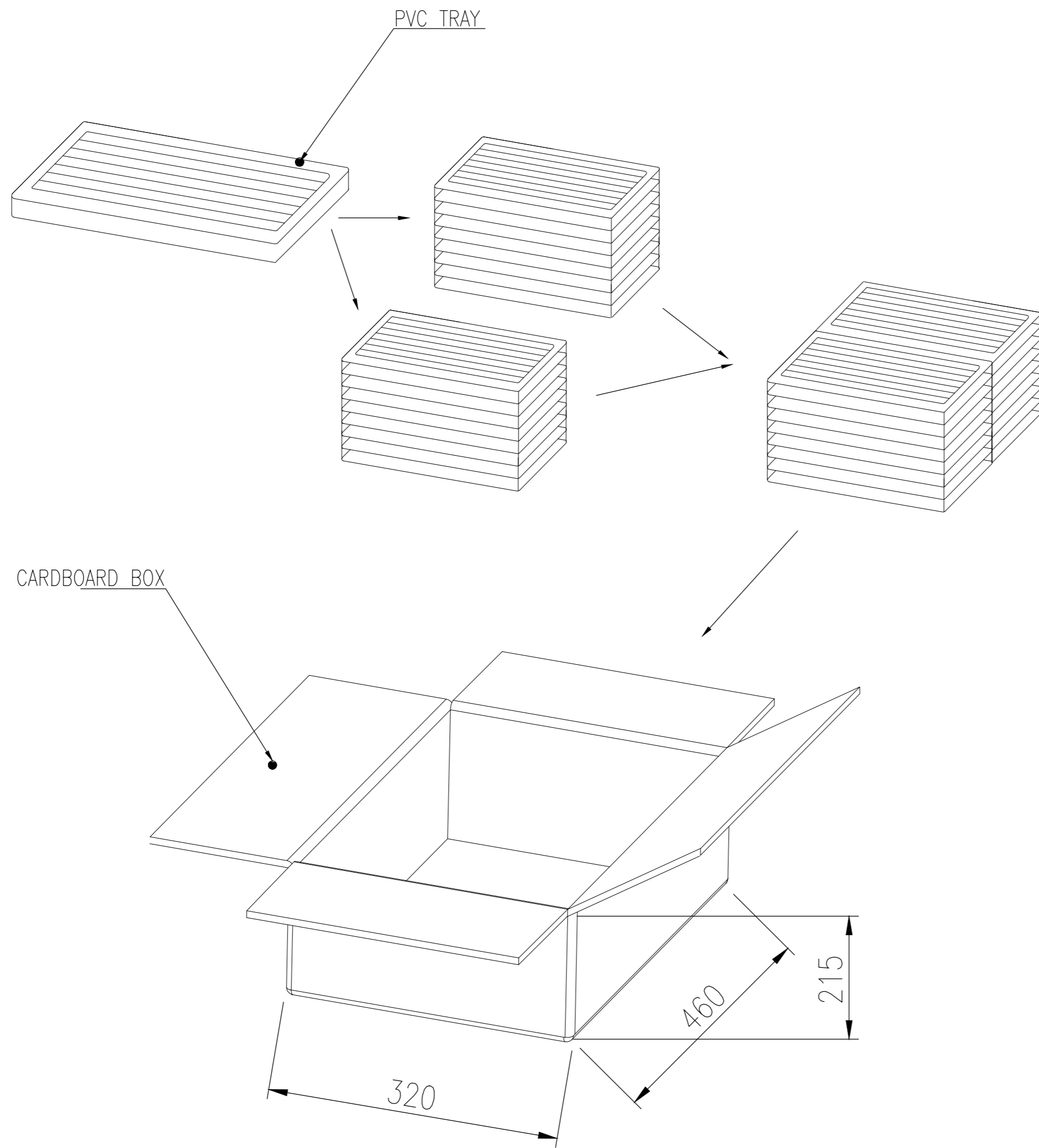


DETAIL A

| | | | | | | | | | | | | | | | | | | | | | | | | |
|---|---|--------------------------------|---|--------------|-------|-----------------|----------|-------|---|------|-------|---|------|-------|---|---|--------|---|---|----------------------------|------------|--------------------|-------------------------|--------------------|
| THIS DRAWING IS A CONTROLLED DOCUMENT. | | DWN AJITH PAI 07FEB2017 | | | | | | | | | | | | | | | | | | | | | | |
| DIMENSIONS: mm | | CHK DAN GORENC 07FEB2017 | | | | | | | | | | | | | | | | | | | | | | |
| TOLERANCES UNLESS OTHERWISE SPECIFIED: | | APVD - 07FEB2017 | NAME 25 WAY D-SUB SOCKET WITH BOARD LOCK | | | | | | | | | | | | | | | | | | | | | |
| <table border="0"> <tr><td>0 PLC</td><td>±</td><td>-</td></tr> <tr><td>1 PLC</td><td>±</td><td>0.38</td></tr> <tr><td>2 PLC</td><td>±</td><td>0.25</td></tr> <tr><td>3 PLC</td><td>±</td><td>0.10</td></tr> <tr><td>4 PLC</td><td>±</td><td>-</td></tr> <tr><td>ANGLES</td><td>±</td><td>-</td></tr> </table> | | 0 PLC | ± | - | 1 PLC | ± | 0.38 | 2 PLC | ± | 0.25 | 3 PLC | ± | 0.10 | 4 PLC | ± | - | ANGLES | ± | - | PRODUCT SPEC 108-130013 | SIZE A2 | CAGE CODE 00779 | DRAWING NO C=2301846 | RESTRICTED TO - |
| 0 PLC | ± | - | | | | | | | | | | | | | | | | | | | | | | |
| 1 PLC | ± | 0.38 | | | | | | | | | | | | | | | | | | | | | | |
| 2 PLC | ± | 0.25 | | | | | | | | | | | | | | | | | | | | | | |
| 3 PLC | ± | 0.10 | | | | | | | | | | | | | | | | | | | | | | |
| 4 PLC | ± | - | | | | | | | | | | | | | | | | | | | | | | |
| ANGLES | ± | - | | | | | | | | | | | | | | | | | | | | | | |
| MATERIAL - | | FINISH - | WEIGHT 0 | SCALE 3:1 | | SHEET 2 of 3 | REV H | | | | | | | | | | | | | | | | | |
| CUSTOMER DRAWING | | | | | | | | | | | | | | | | | | | | | | | | |

THIS DRAWING IS UNPUBLISHED. RELEASED FOR PUBLICATION
 © COPYRIGHT - By - ALL RIGHTS RESERVED.

| REVISIONS | | | | | |
|-----------|-----|-------------|------|-----|------|
| P | LTR | DESCRIPTION | DATE | DWN | APVD |
| - | - | SEE SHEET 1 | - | - | - |



| | | | | | |
|-------------------|-----------------|----------|---------------|--------------|-------------|
| 14.5 | 12.48 | 50 | 16 | 800 | 2301846-1 |
| GROSS WEIGHT (Kg) | NET WEIGHT (Kg) | PCS/TRAY | TRAYS /CARTON | QUANTITY Pcs | PART NUMBER |

| | | | | | |
|--|--|--------------------------------|---|-------------------------|--------------------|
| THIS DRAWING IS A CONTROLLED DOCUMENT. | | DWN AJITH PAI 07FEB2017 | | | |
| DIMENSIONS: mm | | CHK DAN GORENC 07FEB2017 | | | |
| TOLERANCES UNLESS OTHERWISE SPECIFIED: | | APVD - 07FEB2017 | NAME 25 WAY D-SUB SOCKET WITH BOARD LOCK | | |
| 0 PLC ± - | | PRODUCT SPEC 108-130013 | SIZE A2 | | |
| 1 PLC ± 0.38 | | APPLICATION SPEC - | CAGE CODE 00779 | DRAWING NO C=2301846 | RESTRICTED TO - |
| 2 PLC ± 0.25 | | MATERIAL - | SCALE 1:1 | | |
| 3 PLC ± 0.10 | | FINISH - | SHEET 3 of 3 | | |
| 4 PLC ± - | | WEIGHT 0 | REV H | | |
| ANGLES ± - | | CUSTOMER DRAWING | | | |

2301846