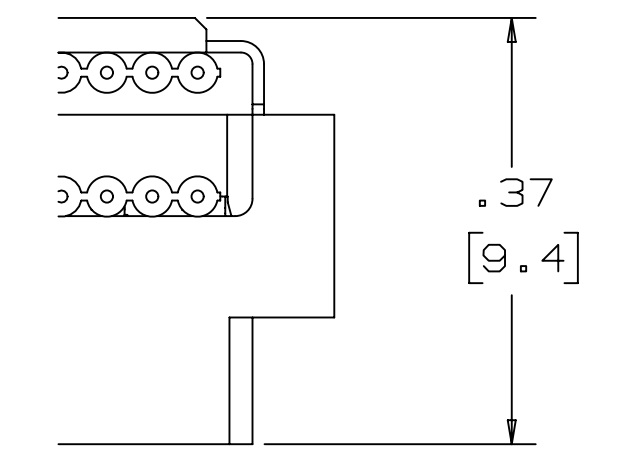
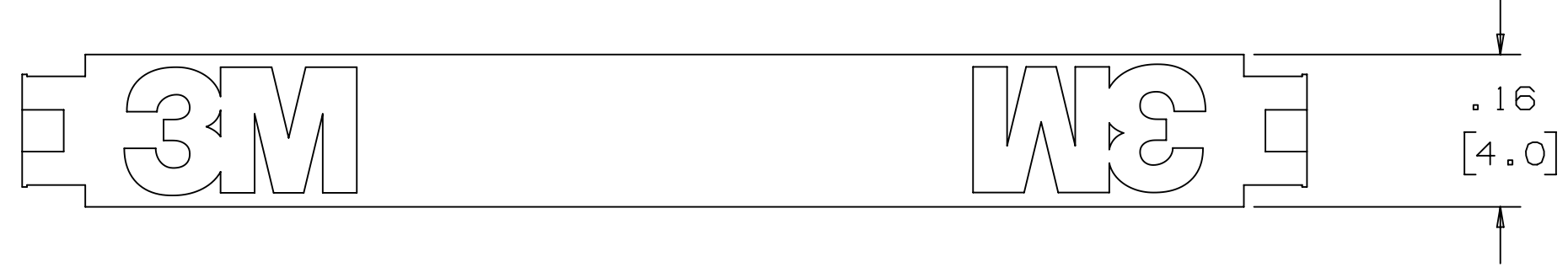
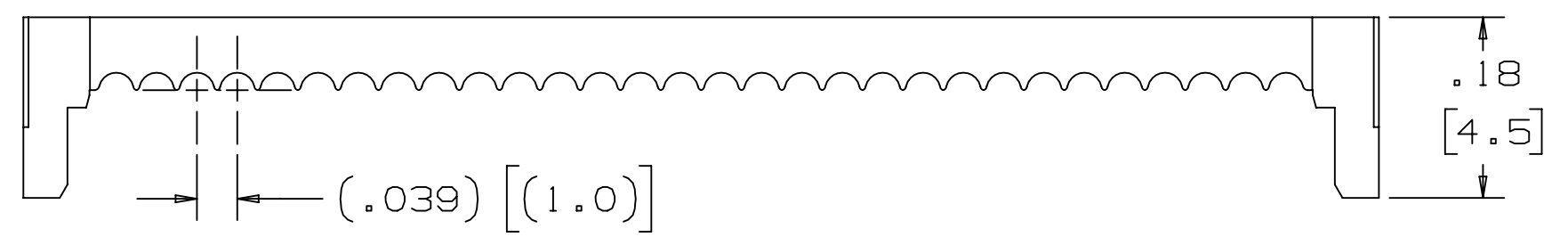




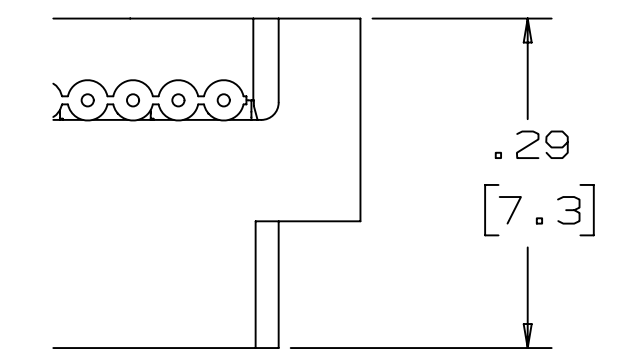
3M™ WIREMOUNT SOCKET, 1522 SERIES  
2MM X 2MM FOR 1MM PITCH CABLE



ASSEMBLED HEIGHT WITH STRAIN RELIEF



VIEW OF COVER



ASSEMBLED HEIGHT WITHOUT STRAIN RELIEF

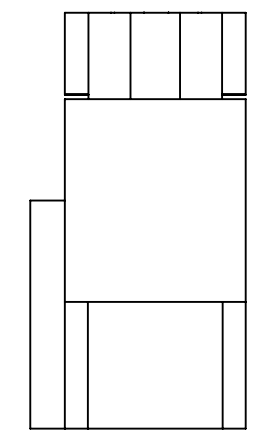
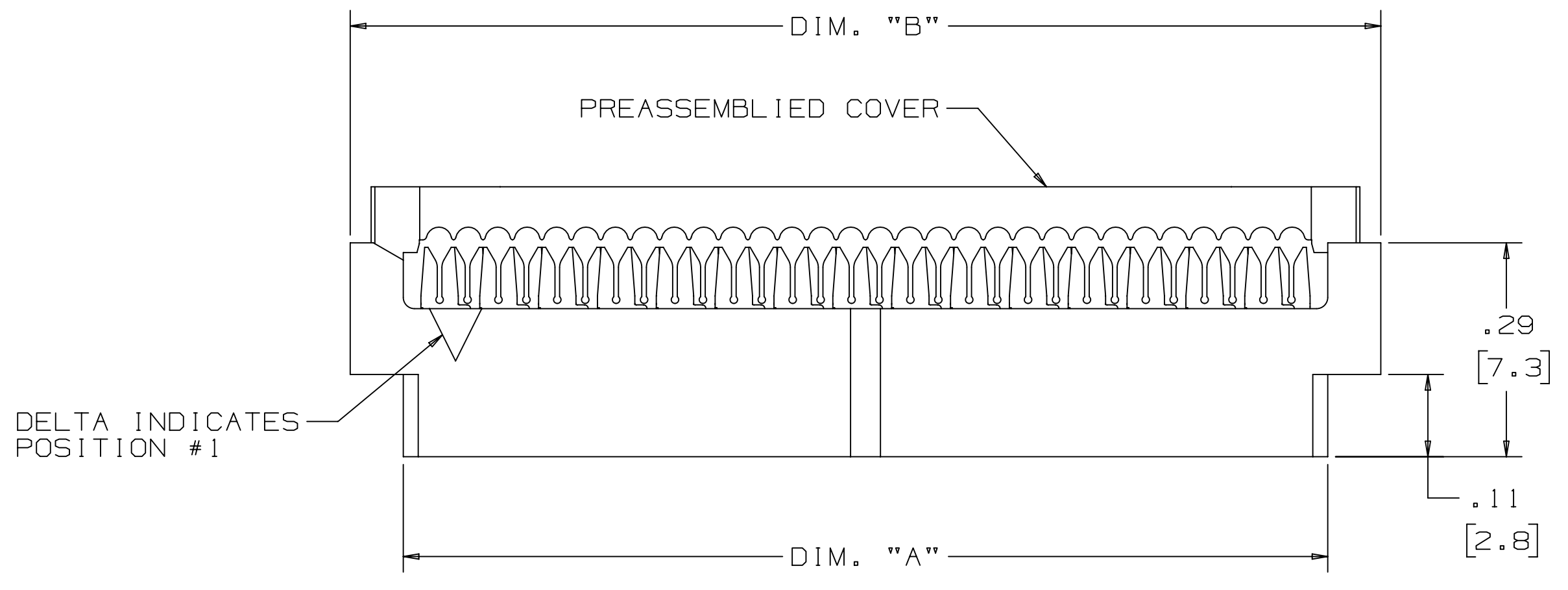
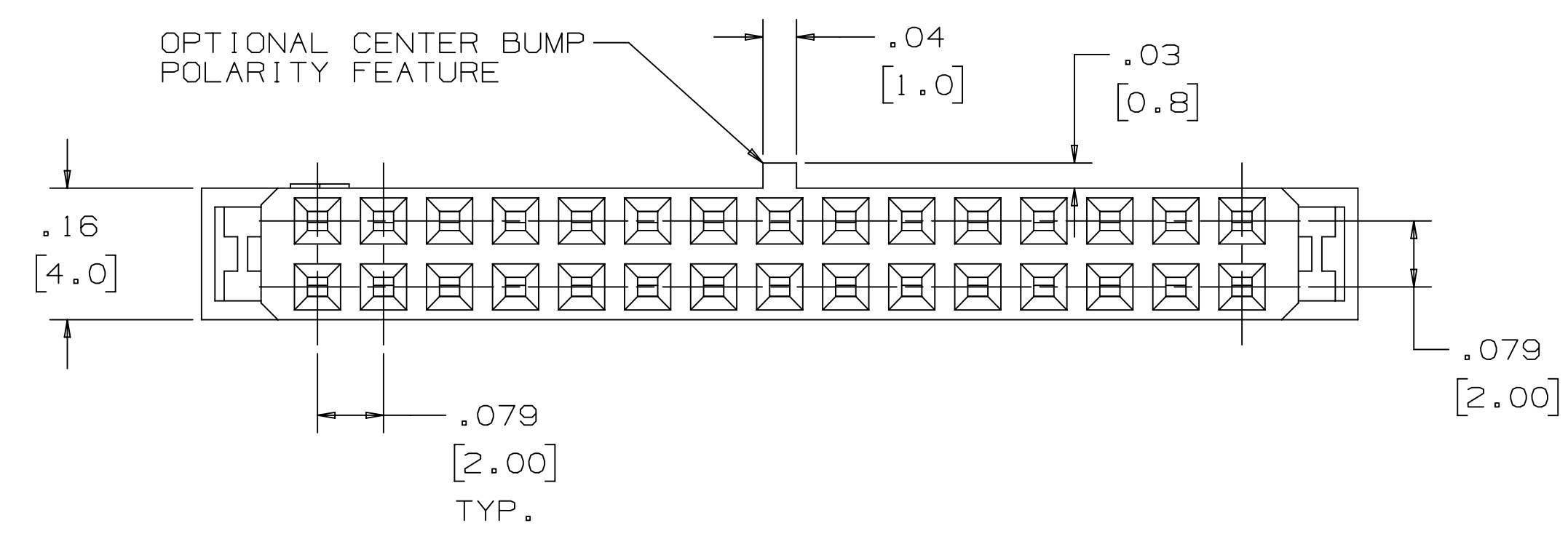


TABLE 1

CONTACT QTY.	DIM. "A"	DIM. "B"
10	.45 [11.4]	.59 [15.0]
12	.53 [13.4]	.67 [17.0]
20	.84 [21.3]	.99 [25.0]
26	1.08 [27.4]	1.22 [31.0]
40	1.63 [41.4]	1.77 [45.0]
44	1.79 [45.5]	1.93 [49.0]
50	2.03 [51.3]	2.17 [55.0]



DESIGN REFERENCE	NEXT ASSEMBLY	REV	ECO	ISSUE DATE AND DESCRIPTION	DRFT	CHKD
		ECO	ECO	JUN 04, 2021	JUN 04, 2021	JUN 04, 2021
DIVISION		DIVISION CODE		DATE		
EMSD		EMSD		DATE		
DO NOT SCALE DRAWING		SCALE		TOLERANCES EXCEPT AS NOTED		
		6/1		INCHES: .0 ± .1, .00 ± .01, .000 ± .005, .0000 ± .0002		
THIRD ANGLE PROJECTION		MILLIMETERS		MILLIMETERS: 0 ±, .0 ±, .00 ±, .000 ±		
INTERPRET PER ASME Y14.5 - 2018		MAX. SURFACE ROUGHNESS		MARKED ONLY		
		ALL SURFACES		ANGLES		
		MARKED ONLY		ANGLES		

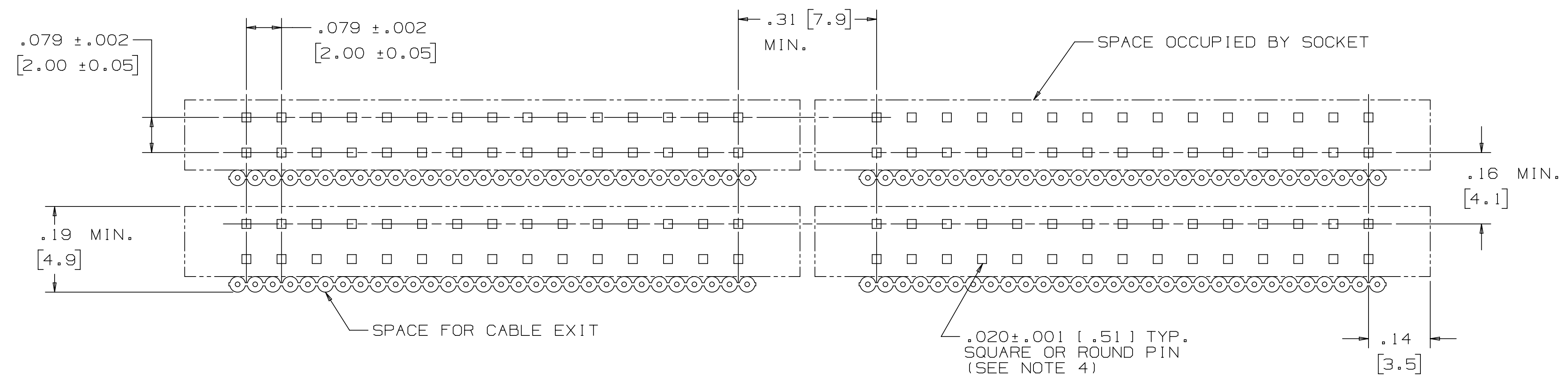
  

H	99400	SEP 21, 2021	JNC	FJR
G	97385	JUN 04, 2021	JNC	FJR
REV	ECO	ISSUE DATE AND DESCRIPTION	DRFT	CHKD
ECO	ECO	JUN 04, 2021	JUN 04, 2021	JUN 04, 2021
3M Center St. Paul, MN 55144		© 3M COPYRIGHT 2021. This document and the information it contains are 3M property and may not be reproduced or further distributed without 3M permission, or used or disclosed other than for 3M authorized purposes. All rights reserved.		
TITLE		WIREMOUNT SOCKET, 2MM X 2MM FOR 1MM PITCH CABLE, 1522 SERIES		
CAGE NUMBER	SIZE	DRAWING NO.	REV.	
D		78-5100-0523-0	H	
MODEL	1522	DET	IS1s	YES NO SHT 2 OF 4

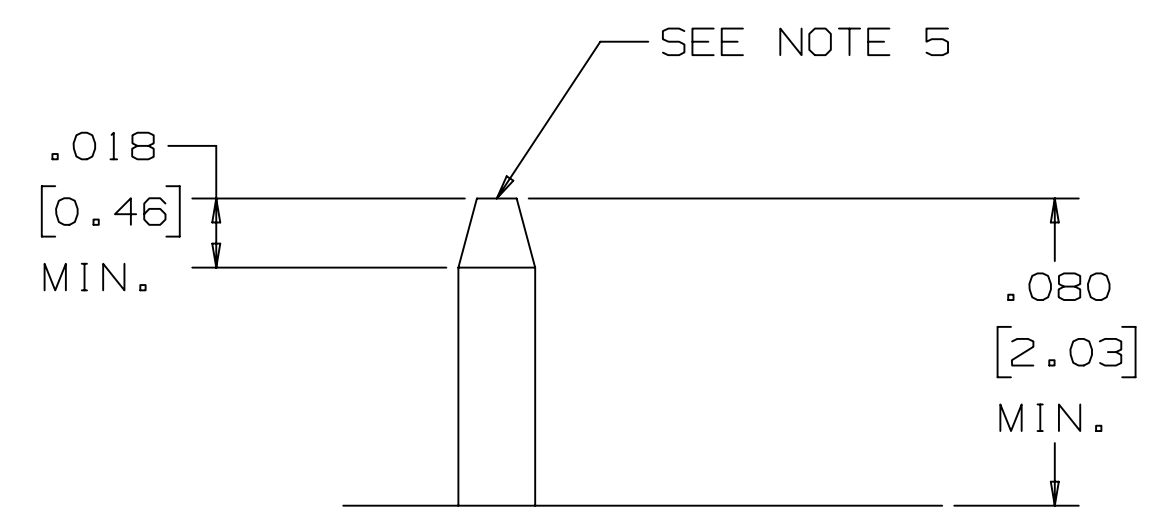
78-5100-0523-0  
DRAWING NUMBER

A

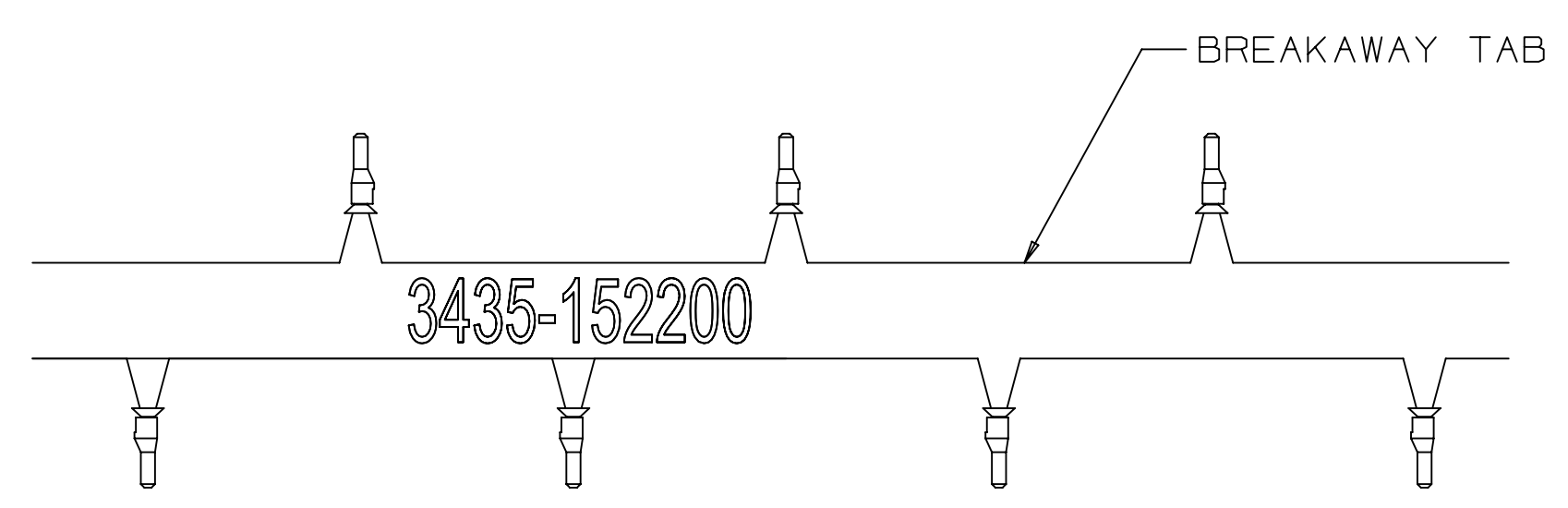
3M™ WIREMOUNT SOCKET, 1522 SERIES  
2MM X 2MM FOR 1MM PITCH CABLE



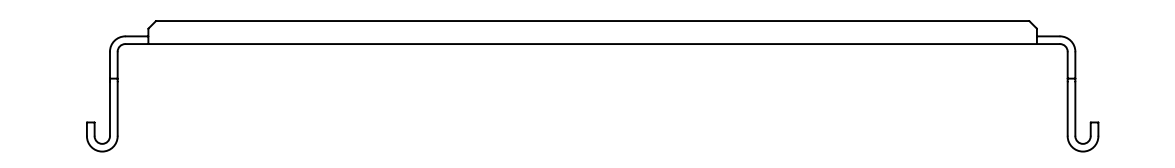
RECOMMENDED PIN PATTERN FOR STACKED CONFIGURATIONS



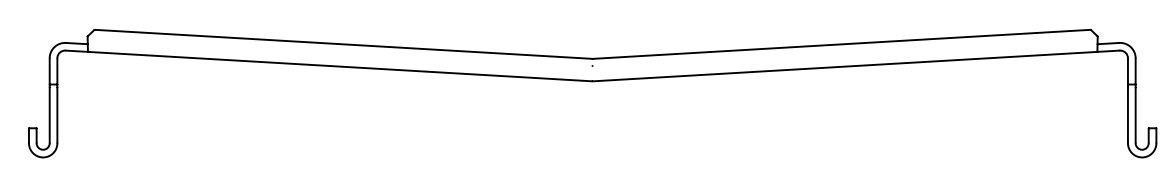
MATING PIN DETAIL



OPTIONAL KEYING PLUG (ORDER SEPARATELY)



OPTIONAL STRAIN RELIEF FOR POSITION 6 THRU 30



OPTIONAL STRAIN RELIEF FOR POSITION 34 AND UP

DESIGN REFERENCE	NEXT ASSEMBLY	REV	ECO	ISSUE DATE AND DESCRIPTION	DRFT	CHKD
		DRFT	CASTIGLIONE	DATE JUN 04, 2021	MFG	DATE
		CHKD		DATE	APPR	DATE
					F. RODRIGUEZ	JUN 04, 2021
DIVISION	DIVISION CODE	© 3M COPYRIGHT 2021 This document and the information it contains are 3M property and may not be reproduced or further distributed without 3M permission, or used or disclosed other than for 3M authorized purposes. All rights reserved.				
DO NOT SCALE DRAWING	SCALE 1	TOLERANCES EXCEPT AS NOTED INCHES .0 ± .1 .00 ± .01 .000 ± .005 .0000 ± .0002 MILLIMETERS 0 ± .0 ± .00 ± .000 ±				
THIRD ANGLE PROJECTION	INTERPRET PER ASME Y14.5 - 2018	TITLE WIREMOUNT SOCKET, 2MM X 2MM FOR 1MM PITCH CABLE, 1522 SERIES				
MAX SURFACE ROUGHNESS	ALL SURFACES	CAGE NUMBER	SIZE	DRAWING NO.	REV.	
<input checked="" type="checkbox"/> MARKED ONLY		D	78-5100-0523-0	H		
		MODEL	1522	DET	<input type="checkbox"/> YES <input checked="" type="checkbox"/> NO	SHT 3 OF 4

78-5100-0523-0  
DRAWING NUMBER  
REVISION

**Regulatory:** For regulatory information about this product, visit [3M.com/regs](http://3M.com/regs) or contact your 3M representative.

**Technical Information:** The technical information, recommendations and other statements contained in this document are based upon tests or experience that 3M believes are reliable, but the accuracy or completeness of such information is not guaranteed.

**Product Use:** Many factors beyond 3M's control and uniquely within user's control can affect the use and performance of a 3M product in a particular application. Given the variety of factors that can affect the use and performance of a 3M product, user is solely responsible for evaluating the 3M product and determining whether it is fit for a particular purpose and suitable for user's method of application.

**Warranty, Limited Remedy, and Disclaimer:** Unless an additional warranty is specifically stated on the applicable 3M product packaging or product literature, 3M warrants that each 3M product meets the applicable 3M product specification at the time 3M ships the product. 3M MAKES NO OTHER WARRANTIES OR CONDITIONS, EXPRESS OR IMPLIED, INCLUDING, BUT NOT LIMITED TO, ANY IMPLIED WARRANTY OR CONDITION OF MERCHANTABILITY OR FITNESS FOR A PARTICULAR PURPOSE OR ANY IMPLIED WARRANTY OR CONDITION ARISING OUT OF A COURSE OF DEALING, CUSTOM OR USAGE OR TRADE. If the 3M product does not conform to this warranty, then the sole and exclusive remedy is, at 3M's option, replacement of the 3M product or refund of the purchase price.

**Limitation of Liability:** Except where prohibited by law, 3M will not be liable for any loss or damage arising from the 3M product, whether direct, indirect, special, incidental or consequential, regardless of the legal theory asserted, including warranty, contract, negligence or strict liability.

3M Company  
 Electronics Materials Solutions Division  
 13011 McCallen Pass, Bldg. C  
 Austin, TX 78753-5380  
 1-800-225-5373  
[www.3M.com/interconnect](http://www.3M.com/interconnect)

DESIGN REFERENCE		NEXT ASSEMBLY		REV	ECO	ISSUE DATE AND DESCRIPTION		DRFT	CHKD
TOLERANCES EXCEPT AS NOTED		DIVISION CODE EMSD		DRFT	CASTIGLIONE		DATE	MFG	DATE
DO NOT SCALE DRAWING		SCALE 1/1		CHKD	JUN 04, 2021		DATE	APPRV	DATE
THIRD ANGLE PROJECTION		TOLERANCES EXCEPT AS NOTED		F. RODRIGUEZ		JUN 04, 2021		DATE	
INTERPRET PER ASME Y14.5 - 2018		INCHES .00 ± .01		3M Center St. Paul, MN 55144		© 3M COPYRIGHT 2021		This document and the information it contains are 3M property and may not be reproduced or further distributed without 3M permission, or used or disclosed other than for 3M authorized purposes. All rights reserved.	
MAX SURFACE ROUGHNESS		MILLIMETERS 0 ± .000		TITLE		WIREMOUNT SOCKET, 2MM X 2MM FOR 1MM PITCH CABLE, 1522 SERIES			
MARKED ONLY		ANGLES ±		CAGE NUMBER		DRAWING NO.		REV.	
				D 78-5100-0523-0		H		SHT 4 OF 4	
				MODEL 1522		DET		YES NO	