



ANATECH ELECTRONICS INC
RF & Microwave Filters & Products

6350 MHz Mono Block Ceramic Bandpass Filter

Part Number: AM6350B1044



Electrical specifications

Center Frequency: 6350.0 MHz
Bandwidth: $F_0 \pm 200$ MHz
VSWR: 2.0 : 1 max
Input / Output Impedance: 50 Ohms
Passband: 6150-6550 MHz
Passband Insertion Loss: 3.0 dB max
Passband Ripple: 0.5 dB max
Rejection: 25.0 dB min. @ $F_0 - 425$
Rejection 2: 20.0 dB min. @ $F_0 + 425$
Power Handling: 1 W

Mechanical

Mounting Method: SMT
Dimensions: 8.3 x 3.5 x 3.2 mm

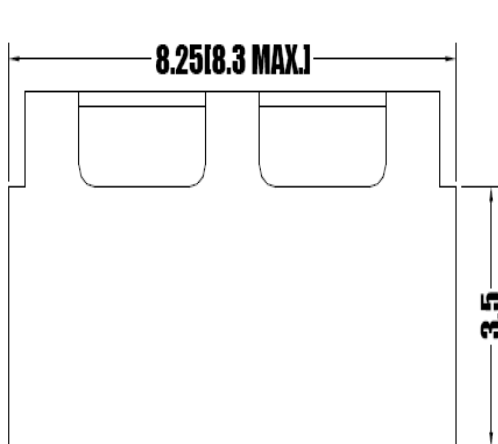
Environmental

Operating Temperature: -40°C to +85°C
Storage Temperature: -50°C to +90°C

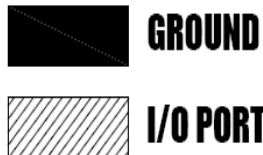
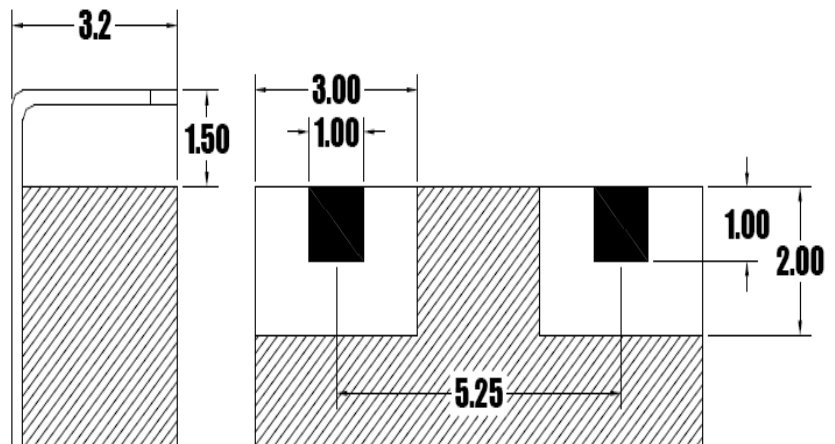
This product is RoHs compliant.

Outline Drawing:

TOP VIEW



BOTTOM VIEW



TOLERANCE: ± 0.20
UNIT: mm