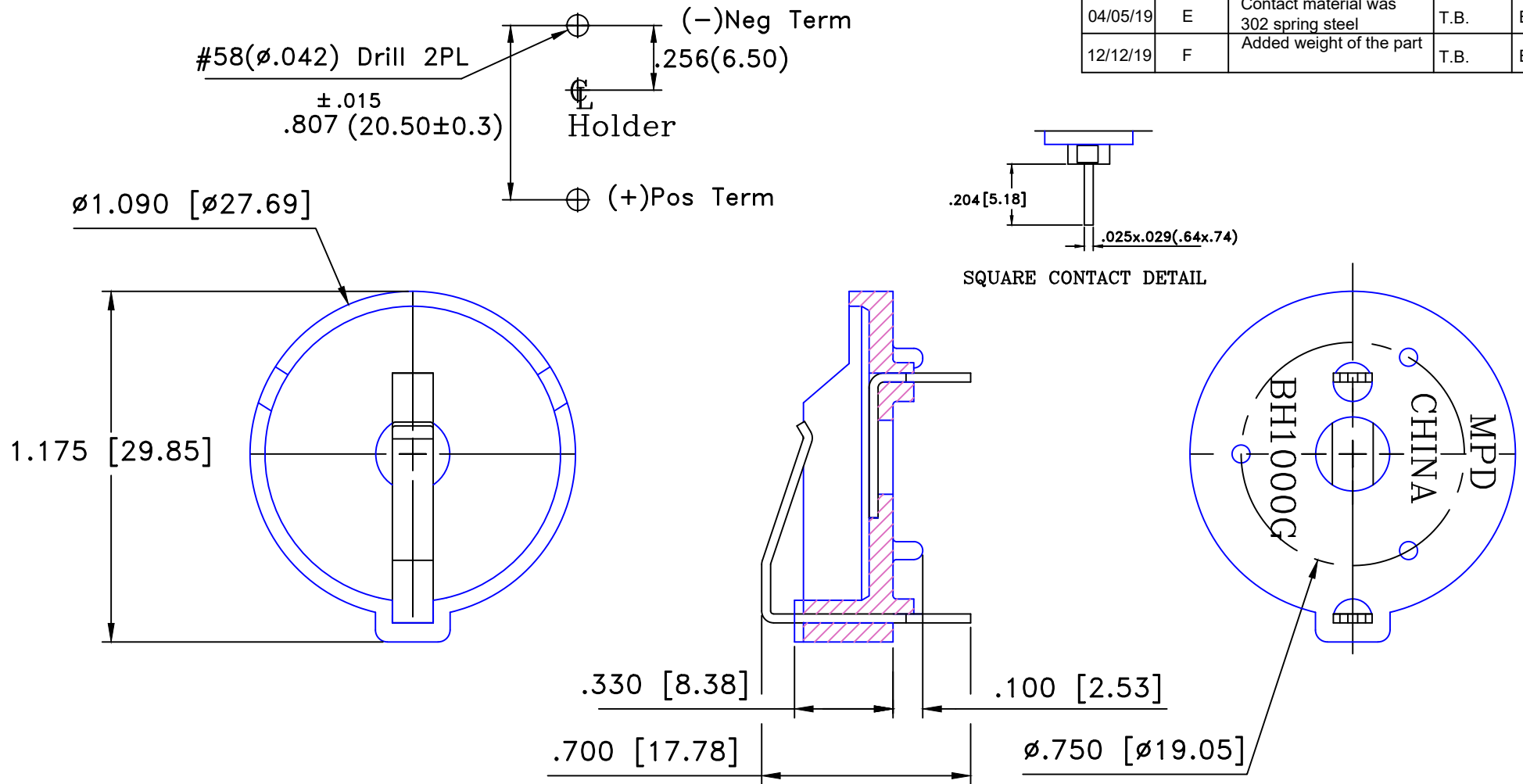



PCB LAYOUT

Date	SYM	REVISION RECORD	AUTH	DR.	CK.
04/05/19	E	Contact material was 302 spring steel	T.B.	B.S.	
12/12/19	F	Added weight of the part	T.B.	B.S.	



SPECIFICATIONS

- *Holder material—thermoplastic, black PBT
- *Flammability rating—UL94V-0, File No.88499(M)
- *Contacts—Phos—Bronze, Nickel plated overall
- *Dielectric strength—560volts/mil at 25°C for 5seconds
- *Temperature range— -55° to +180°C
- *Resistance to solvents—Xylene,ethyl,butyl,methyl&proptl alcohol;ethyl acetate,heptane;toluene;refrigerant
- Approximate weight: 4.03g
- *ROHS COMPLIANT

Tolerance (Except as noted)	 Memory protection Devices, Inc 200 Broad Hollow Road, Farmingdale, New York 11735		
	decimal $\pm .5$ (.020)	Scale 4=1	Drawn By T.S. Approved By T.B.
Fractional $\pm .8$ (.030)	Title CR 2477 COIN BATTERY HOLDER		
Angular $\pm 3^\circ$	Date 12/12/19	Drawing Number BH1000G	