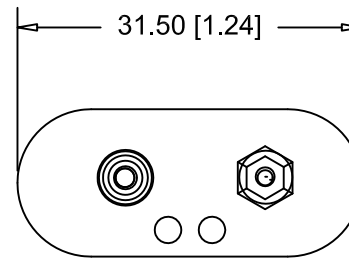
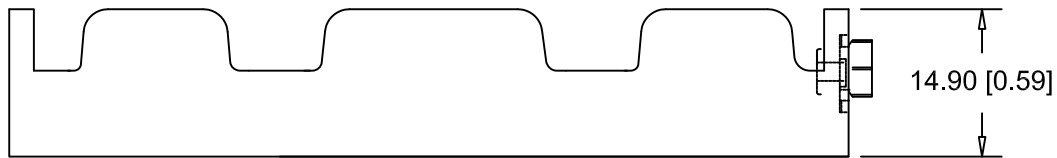
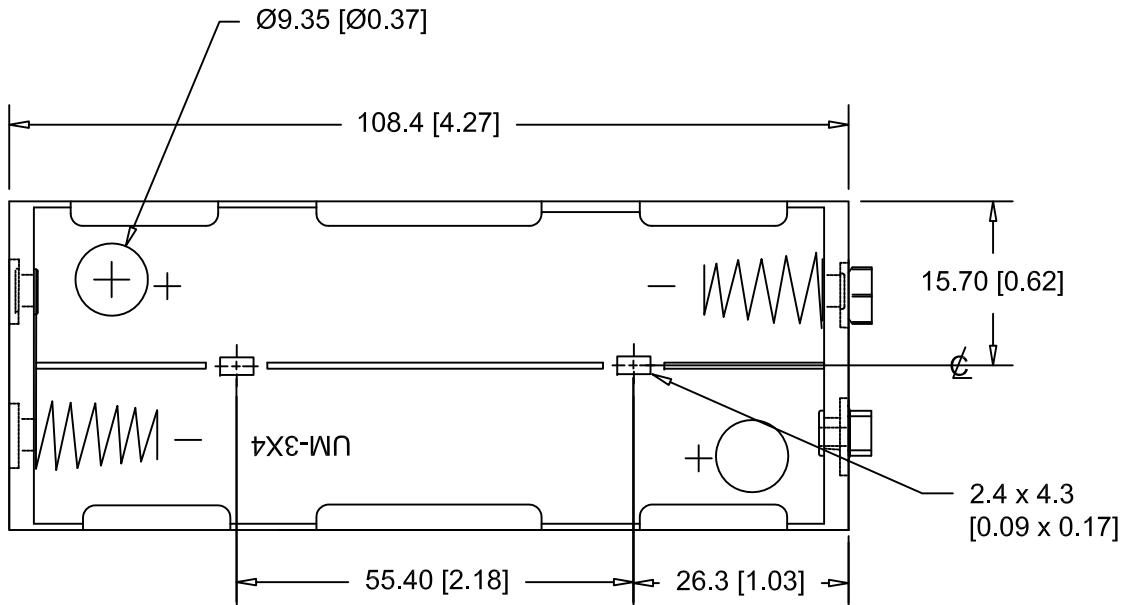



Date	SYM	REVISION RECORD	AUTH	DR.	CK.
07/12/13	B	UPDATED TO ROHS 2 COMPLIANT	T.B.	B.S.	
05/12/17	C	DIM. 108.4 WAS 108.46 ADDED MOUNTING HOLES	T.B.	B.S.	



**SPECIFICATIONS :**

Plastic material - polypropylene  
 Flammability Rating-UL94 HB, UL File No. E216959  
 Temperature RangeE: -10°C to +100°C  
 Springs - nickel plated spring steel  
 Rivets - Brass, nickel plated  
 9V Snaps: Brass, nickel plated  
 Contact Resistance: Under 50mΩ for +/- contacts per EIA-540J000  
 ROHS 2 COMPLIANT

Tolerance (Except as noted)	 <b>Memory Protection Devices, Inc</b> 200 Broad Hollow Road, Farmingdale, New York 11735	Scale	Drawn By B.S.
			Approved By T.B.
decimal ±.5 (.020)	Title FOUR "AA" CELL HOLDER WITH SNAP FASTENERS		
Fractional ± .8 (.030)		Date 05/12/17	Drawing Number BH34AASF
Angular ± 3°			