

# CGA4J3X7T2E473M125AE

TDK Item Description : CGA4J3X7T2E473MT\*\*\*S



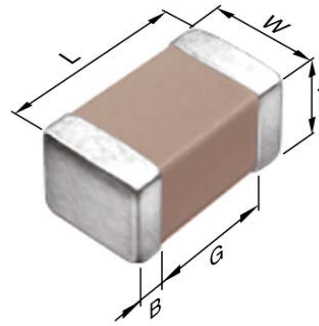
Equivalent C2012X7T2E473M for Automotive

## Application & Main Feature

Automotive Grade ( Soft Termination )

## Series

CGA4(2012) [EIA CC0805]



## Dimensions

L	2.00mm +0.45,-0.2mm
W	1.25mm +0.25,-0.2mm
T	1.25mm +0.25,-0.2mm
B	0.20mm Min.
G	0.50mm Min.

## Temperature Characteristic

X7T (-55 to 125 degC +22,-33%)

## Rated Voltage

2E (250Vdc)

## Capacitance

47nF

## Capacitance Tolerance

M (+/-20%)

## Dissipation Factor

2.5% Max.

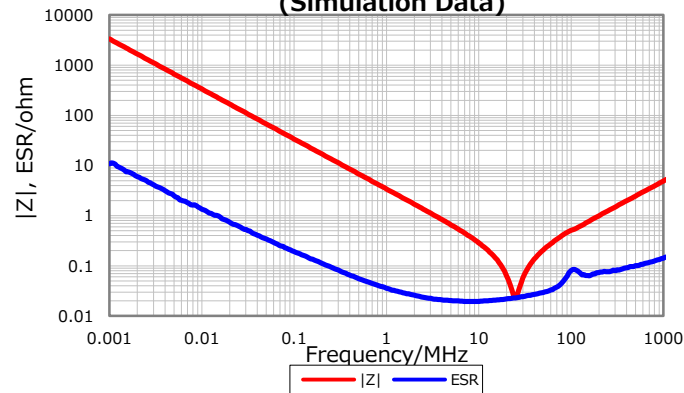
## Insulation Resistance

10Gohm Min

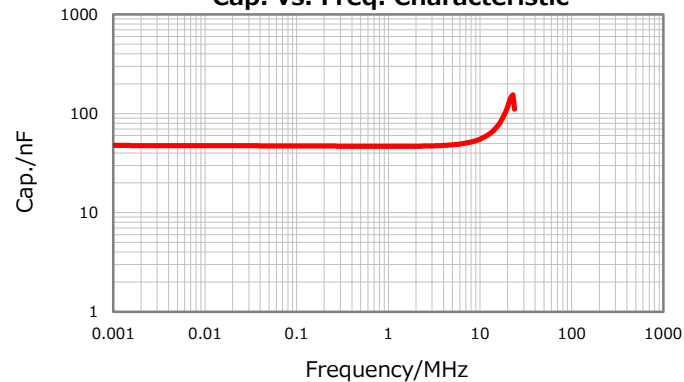
## AEC-Q200

Yes

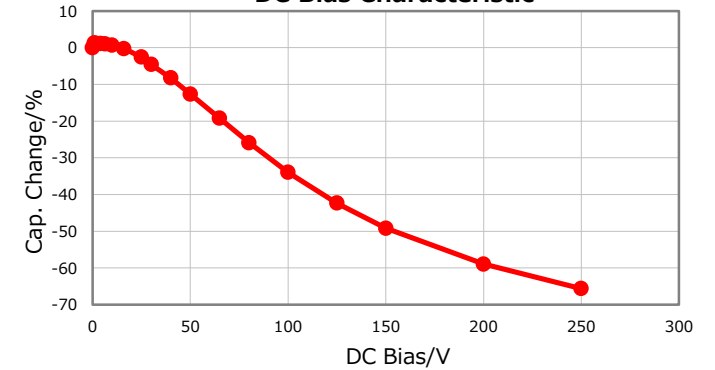
## |Z|, ESR vs. Freq. Characteristics (Simulation Data)



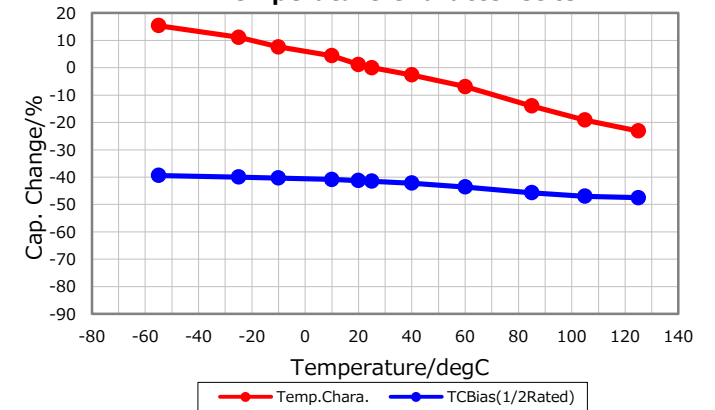
## Cap. vs. Freq. Characteristic



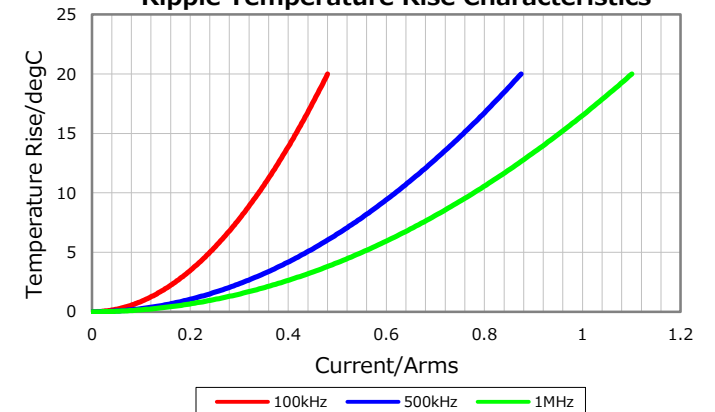
## DC Bias Characteristic



## Temperature Characteristics



## Ripple Temperature Rise Characteristics



Characterization Sheet ( Multilayer Ceramic Chip Capacitors )



All specifications are subject to change without notice.

March 17, 2017