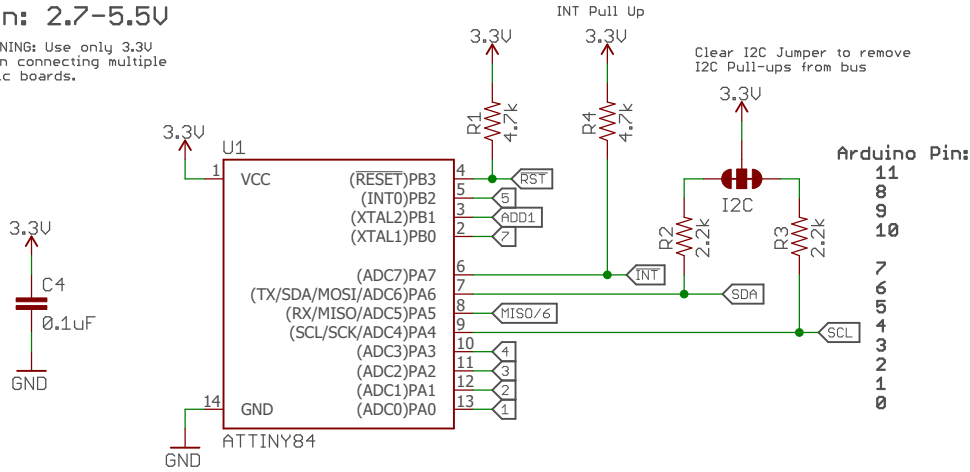


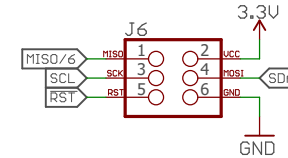
ATTiny84

V_{in}: 2.7-5.5V

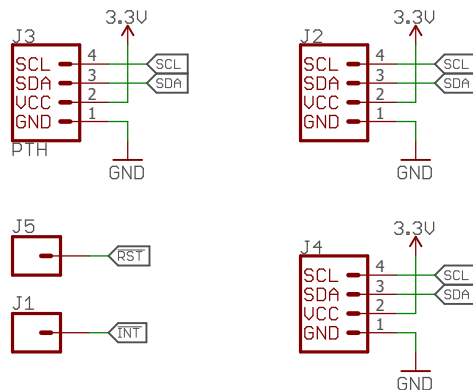
WARNING: Use only 3.3V when connecting multiple qwiic boards.



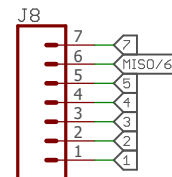
Pogo Programmer



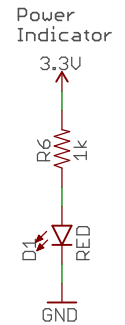
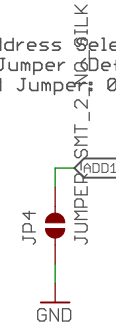
I2C Connections



Keypad Connections



I2C Address Selection
 Open Jumper (Default): 0x4B
 Closed Jumper: 0x4A



Released under the Creative Commons Attribution Share-Alike 4.0 License
<https://creativecommons.org/licenses/by-sa/4.0/>

TITLE: Qwiic_keypad

Design by: Kevin Kuwata
 Revised by: Pete Lewis

REV: v10

Date: 4/23/2019 6:06 PM

Sheet: 1/1