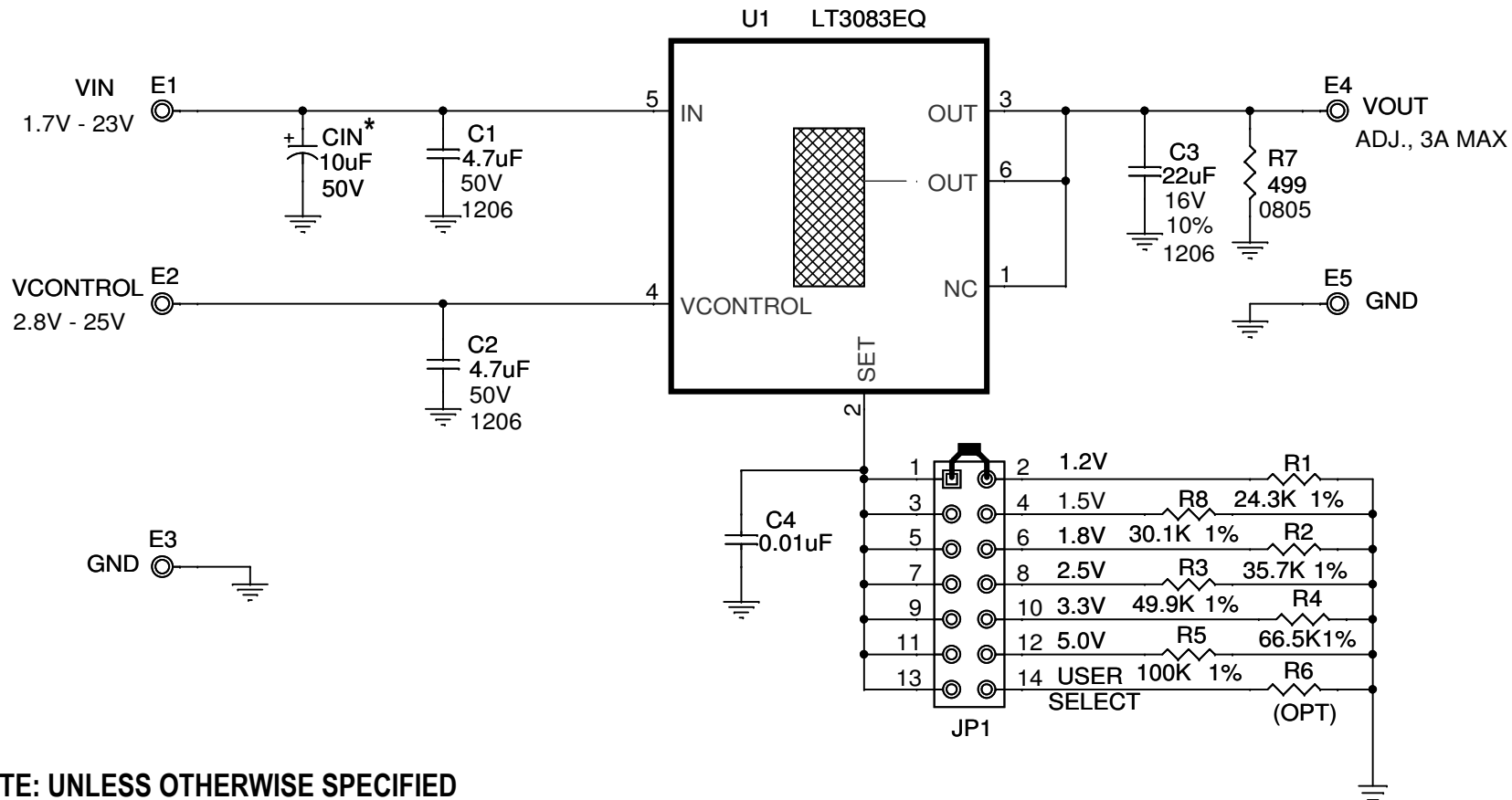



REVISION HISTORY				
ECO	REV	DESCRIPTION	APPROVED	DATE
—	2	PRODUCTION	EDWIN L.	11-10-10



NOTE: UNLESS OTHERWISE SPECIFIED

- 1. ALL RESISTORS AND CAPACITORS ARE IN 0603.
- 2. INSTALL SHUNTS AS SHOWN.
- * CIN IS OPTIONAL, FOR VIN PAMPING PURPOSE ONLY.

<p>CUSTOMER NOTICE</p> <p>LINEAR TECHNOLOGY HAS MADE A BEST EFFORT TO DESIGN A CIRCUIT THAT MEETS CUSTOMER-SUPPLIED SPECIFICATIONS; HOWEVER, IT REMAINS THE CUSTOMER'S RESPONSIBILITY TO VERIFY PROPER AND RELIABLE OPERATION IN THE ACTUAL APPLICATION. COMPONENT SUBSTITUTION AND PRINTED CIRCUIT BOARD LAYOUT MAY SIGNIFICANTLY AFFECT CIRCUIT PERFORMANCE OR RELIABILITY. CONTACT LINEAR TECHNOLOGY APPLICATIONS ENGINEERING FOR ASSISTANCE.</p> <p>THIS CIRCUIT IS PROPRIETARY TO LINEAR TECHNOLOGY AND SUPPLIED FOR USE WITH LINEAR TECHNOLOGY PARTS.</p>	APPROVALS		 <p>1630 McCarthy Blvd. Milpitas, CA 95035 Phone: (408)432-1900 www.linear.com Fax: (408)434-0507 LTC Confidential-For Customer Use Only</p>		
	PCB DES.	HZ		<p>TITLE: SCHEMATIC</p> <p>ADJUSTABLE 3A SINGLE RESISTOR LDO REGULATOR</p> <p>SIZE: N/A IC NO. LT3083EQ</p> <p>DEMO CIRCUIT 1585A</p>	
	APP ENG.	EDWIN L.			REV. 2
	SCALE = NONE				DATE: Thursday, November 18, 2010