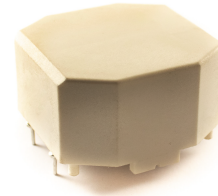




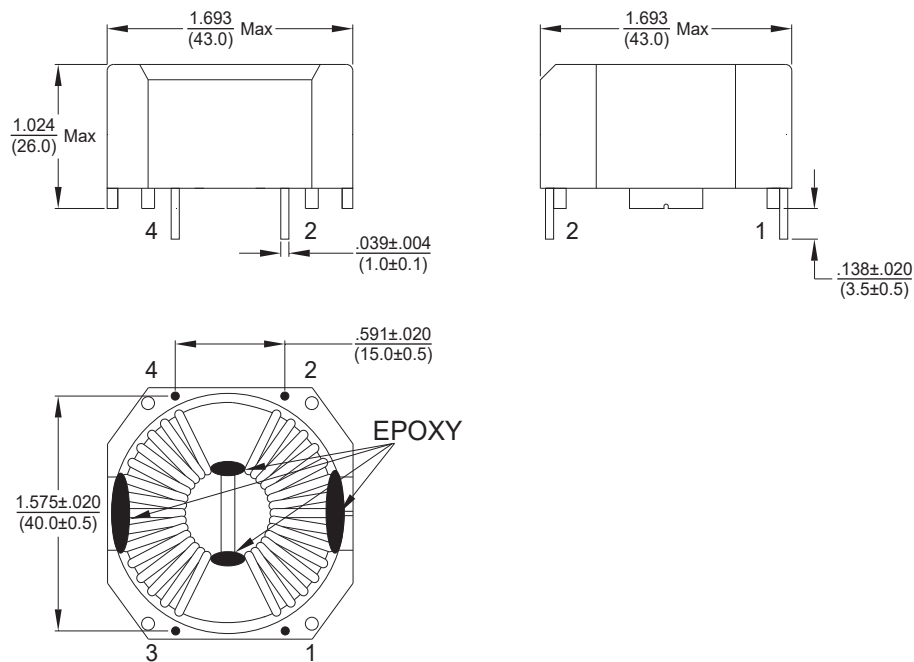
- Encased for Added Protection and Stable Mounting
- High Current Capability
- Excellent EMI Suppression
- Fixed Pins for easy PCB Insertion
- Operating Temp Range: -40°C to +85°C



| Electrical Specifications @25°C | | | | |
|---------------------------------|----------------------|-----------------------------|-----------------|--|
| Inductance (mH) N1=N2 | Inductance Tolerance | Test Frequency KHz, 0.1V | DCR (mΩ) Max | Hi-Pot VAC / 5mA / 60Sec Coil - Coil |
| 2.7 | ±30% | 10 | 22 | 1500 |

MECHANICAL

Dimensions: $\frac{\text{inch}}{\text{mm}}$



SCHEMATIC

