



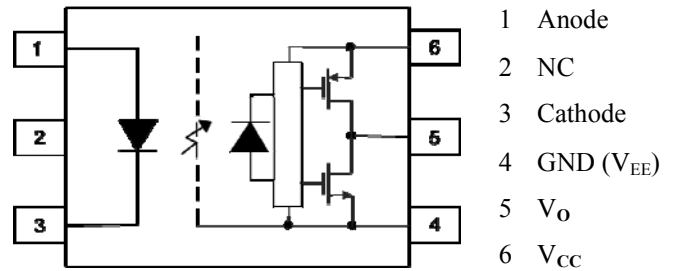
IS341W



DESCRIPTION

The IS341W Photocoupler is ideally suited for driving power IGBTs and MOSFETs used in inverters of motor control and of power supply system. It contains an AlGaAs LED optically coupled to an integrated circuit with a power output stage. The high peak output current of 3.0A is capable to direct drive IGBT with ratings up to 1200 V/100 A. For IGBTs with higher ratings, IS341W can be used to drive a discrete power stage which drives the IGBT gate.

The device is supplied in Stretched SO6 package with wide lead separation.



A 0.1 μ F bypass Capacitor must be connected between Pins 6 and 4.

FEATURES

- 3.0A Maximum Peak Output Current
- 2.5A Minimum Peak Output Current
- Rail-to-Rail Output Voltage
- 20kV/ μ s Minimum Common Mode Rejection at V_{CM} 1500V
- Maximum Propagation Delay 200ns
- Maximum Propagation Delay Difference 100ns
- Wide Operating Voltage Range V_{CC} 15 to 30 V
- Under Voltage Lock Out (UVLO) Protection with Hysteresis
- Guaranteed Performance over Temperature Range - 40°C to +105°C
- MSL Level 1
- Lead Free and RoHS Compliant
- Safety Approvals Pending

APPLICATIONS

- IGBT/MOSFET Gate Drive
- UPS
- Industrial Inverters
- Switching Power Supplies
- AC Brushless and DC Motor Drives

ORDER INFORMATION

- Supplied in Tape & Reel

ABSOLUTE MAXIMUM RATINGS ($T_A = 25^\circ\text{C}$)

Stresses exceeding the absolute maximum ratings can cause permanent damage to the device.

Exposure to absolute maximum ratings for long periods of time can adversely affect reliability.

Input

Forward Current	25mA
Forward Peak Current (Pulse Width $\leq 1\mu\text{s}$, 300pps)	1.0A
Reverse Voltage	5V
Forward Current Rise / Fall Time	500ns
Power dissipation	45mW

Output

High Level Peak Output Current Exponential waveform. Pulse width $\leq 0.3\mu\text{s}$, $f \leq 15\text{kHz}$	3.0A
Low Level Peak Output Current Exponential waveform. Pulse width $\leq 0.3\mu\text{s}$, $f \leq 15\text{kHz}$	3.0A
Supply Voltage ($V_{CC} - V_{EE}$)	35V
Output Voltage	V_{CC}
Power Dissipation	700mW

Total Package

Isolation Voltage	5000V _{RMS}
Total Power Dissipation	745mW
Operating Temperature	-40 to 105 °C
Storage Temperature	-55 to 125 °C
Lead Soldering Temperature (10s)	260°C

ISOCOM COMPONENTS 2004 LTD

Unit 25B, Park View Road West, Park View Industrial Estate
Hartlepool, Cleveland, TS25 1PE, United Kingdom
Tel : +44 (0)1429 863 609 Fax : +44 (0)1429 863 581
e-mail : sales@isocom.co.uk
<http://www.isocom.com>

ISOCOM COMPONENTS ASIA LTD

Hong Kong Office,
Block A, 8/F, Wah Hing Industrial mansion,
36 Tai Yau Street, San Po Kong, Kowloon, Hong Kong.
Tel : +852 2995 9217 Fax : +852 8161 6292
e-mail : sales@isocom.com.hk



IS341W

Truth Table

LED	$V_{CC} - GND$ (Turn ON, +ve going)	$V_{CC} - GND$ (Turn OFF -ve going)	V_o
OFF	0 – 30V	0 – 30V	LOW
ON	0 – 11.0V	0 – 9.5V	LOW
ON	11.0 – 13.5V	9.5 – 12.0V	TRANSITION
ON	13.5 – 30V	12 – 30V	HIGH

Recommended Operating Conditions

Parameter	Symbol	Min	Max	Unit
Operating Temperature	T_A	- 40	105	°C
Supply Voltage	$V_{CC} - V_{EE}$	15	30	V
Input Current (ON)	$I_{F(ON)}$	7	16	mA
Input Voltage (OFF)	$V_{F(OFF)}$	-3.0	0.8	V



IS341W

ELECTRICAL CHARACTERISTICS (Typical Values at $V_{CC} - V_{EE} = 30V$ and $T_A = 25^\circ C$,
Minimum and Maximum Values at Recommended Operating Conditions,
unless otherwise specified)

INPUT

Parameter	Symbol	Test Condition	Min	Typ.	Max	Unit
Forward Voltage	V_F	$I_F = 10mA$	1.2	1.37	1.8	V
Forward Voltage Temperature Coefficient	$\Delta V_F / \Delta T$	$I_F = 10mA$		-1.237		mV/°C
Reverse Voltage	V_R	$I_R = 10\mu A$	5			V
Input Threshold Current (Low to High)	I_{FLH}	$V_{CC} = 30V$ $V_O > 5V$		1.8	5	mA
Input Threshold Voltage (High to Low)	V_{FHL}	$V_{CC} = 30V$ $V_O < 5V$	0.8			V
Input Capacitance	C_{IN}	$V_F = 0V, f = 1MHz$		33		pF

OUTPUT

Parameter	Symbol	Test Condition	Min	Typ.	Max	Unit
High Level Supply Current	I_{CCH}	$I_F = 10mA, V_{CC} = 30V$ $V_O = \text{Open}$		2.4	3.5	mA
Low Level Supply Current	I_{CCL}	$I_F = 0mA, V_{CC} = 30V$ $V_O = \text{Open}$		2.5	3.5	mA
High Level Output Current	I_{OH}	$V_O = V_{CC} - 1.5V$ Pulse Width = 50 μs			-1.0	A
		$V_O = V_{CC} - 4V$ Pulse Width = 10 μs			-2.5	
Low Level Output Current	I_{OL}	$V_O = V_{EE} + 1.5V$ Pulse Width = 50 μs	1.0			A
		$V_O = V_{EE} + 4V$ Pulse Width = 10 μs	2.5			
High Level Output Voltage	V_{OH}	$I_F = 10mA, I_O = -100mA$	$V_{CC} - 0.3$	$V_{CC} - 0.1$		V
Low Level Output Voltage	V_{OL}	$I_F = 0mA, I_O = 100mA$		$V_{EE} + 0.1$	$V_{EE} + 0.25$	V
UVLO Threshold	V_{UVLO+}	$V_O > 5V, I_F = 10mA$	11.0	12.7	13.5	V
	V_{UVLO-}	$V_O < 5V, I_F = 10mA$	9.5	11.2	12.0	V
UVLO Hysteresis	$UVLO_{HYS}$			1.5		V



IS341W

ELECTRICAL CHARACTERISTICS (Typical Values at $V_{CC} - V_{EE} = 30V$ and $T_A = 25^\circ C$,
Minimum and Maximum Values at Recommended Operating Conditions,
unless otherwise specified)

SWITCHING

Parameter	Symbol	Test Condition	Min	Typ.	Max	Unit
Propagation Delay Time to High Output Level	t_{PLH}	$I_F = 7$ to $16mA$, $V_{CC} = 15$ to $30V$, $V_{EE} = 0V$ $R_g = 10\Omega$, $C_g = 25nF$, $f = 10kHz$, Duty Cycle = 50%	50	130	200	ns
Propagation Delay Time to Low Output Level	t_{PHL}		50	130	200	
Pulse Width Distortion $ t_{PHL} - t_{PLH} $ for any given Device	PWD			5	70	
Propagation Delay Difference between any two Devices	PDD		-100		100	
Output Rise Time (10% to 90%)	t_r				35	
Output Fall Time (90% to 10%)	t_f				35	
Common Mode Transient Immunity at High Output Level	CM_H	$I_F = 10$ to $16mA$, $V_{CC} = 30V$ $V_{CM} = 1500V$, $T_A = 25^\circ C$	20	25		kV/ μs
Common Mode Transient Immunity at Low Output Level	CM_L	$V_F = 0V$, $V_{CC} = 30V$ $V_{CM} = 1500V$, $T_A = 25^\circ C$	20	25		kV/ μs



IS341W

ELECTRICAL CHARACTERISTICS (Typical Values at $V_{CC} - V_{EE} = 10V$ to $30V$ and $T_A = 25^\circ C$,
Minimum and Maximum Values at Recommended Operating Conditions,
unless otherwise specified)

ISOLATION

Parameter	Symbol	Test Condition	Min	Typ.	Max	Unit
Insulation Voltage	V_{ISO}	$RH \leq 40\%$ to 60% , $t = 1 \text{ min}$, $T_A = 25^\circ C$	5000			V
Input - Output Resistance	R_{I-O}	$V_{I-O} = 500VDC$		10^{12}		Ω
Input - Output Capacitance	C_{I-O}	$f = 1MHz$, $T_A = 25^\circ C$		0.92		pF

Note :

1. A 0.1uF or bigger bypass capacitor must be connected across pin 6 and pin 4.
2. PDD is the difference of Propagation Delays between any two IS341W devices under same test conditions.
3. CM_H , Common Mode Transient Immunity in High stage is the maximum tolerable positive dV_{CM}/dt on the leading edge of the common mode impulse signal, V_{CM} , to assure that the output will remain high ($V_O > 15V$).
4. CM_L , Common Mode Transient Immunity in Low stage is the maximum tolerable negative dV_{CM}/dt on the trailing edge of the common mode impulse signal, V_{CM} , to assure that the output will remain low ($V_O < 1V$).



IS341W

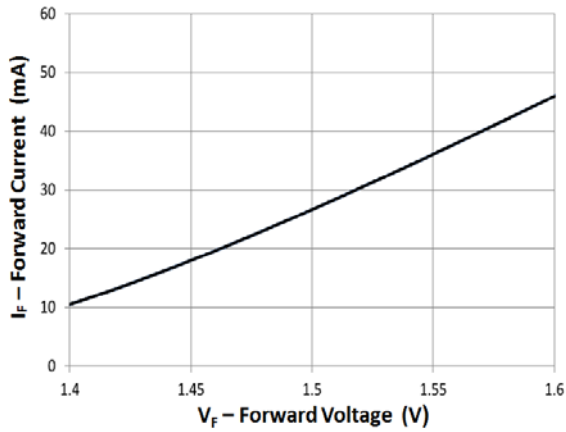


Fig 1 Forward Current vs Forward Voltage

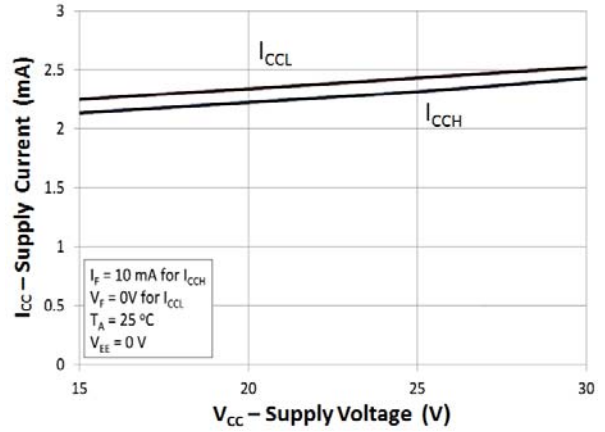


Fig 2 Supply Current vs Supply Voltage

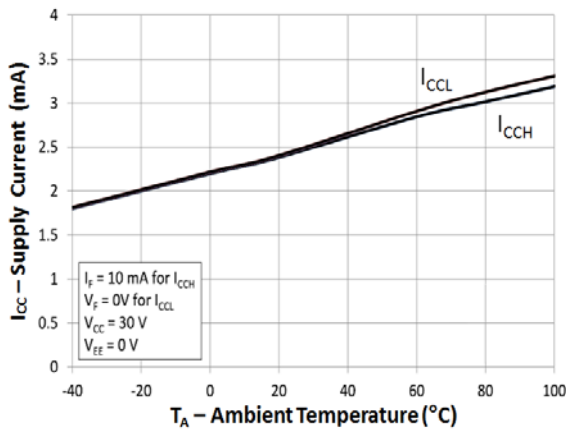


Fig 3 Supply Current vs Ambient Temperature

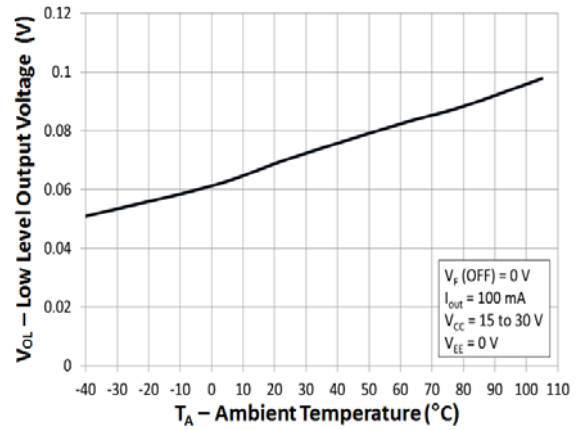


Fig 4 Low Level Output Voltage vs Ambient temperature

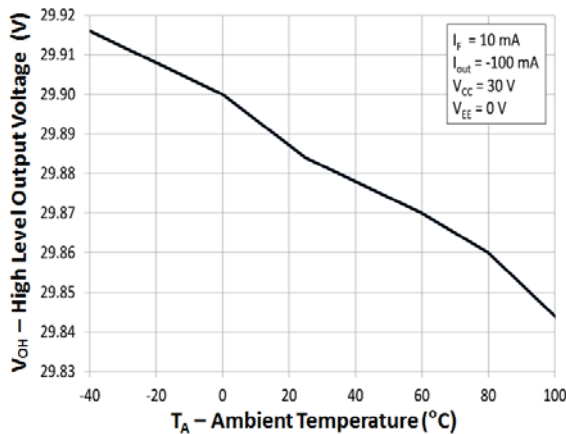


Fig 5 High Level Output Voltage vs Ambient Temperature

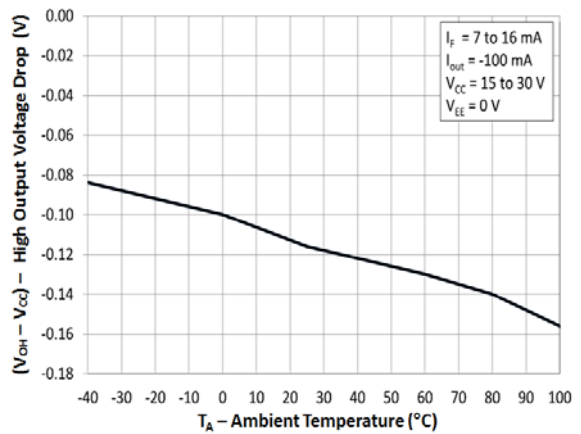


Fig 6 High Output Voltage Drop vs Ambient Temperature



IS341W

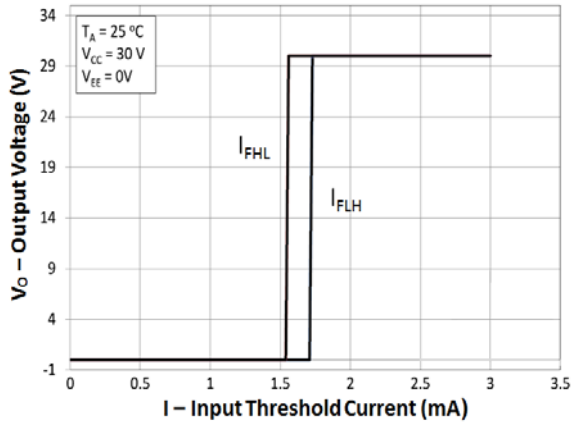


Fig 7 I_{FLH} Hysteresis

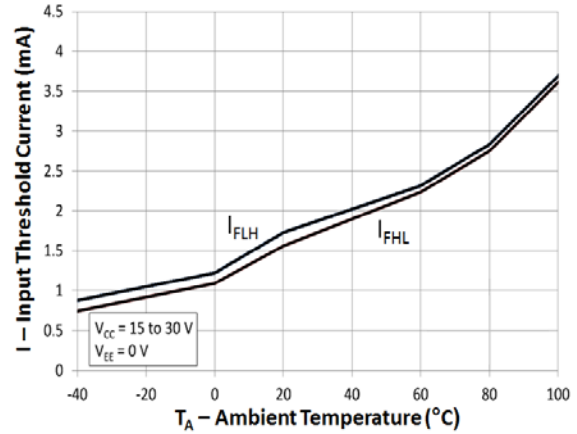


Fig 8 Input Threshold Current vs Ambient Temperature

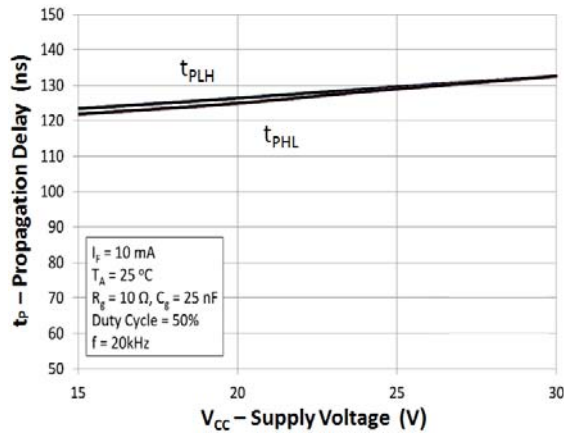


Fig 9 Propagation Delay vs Supply Voltage

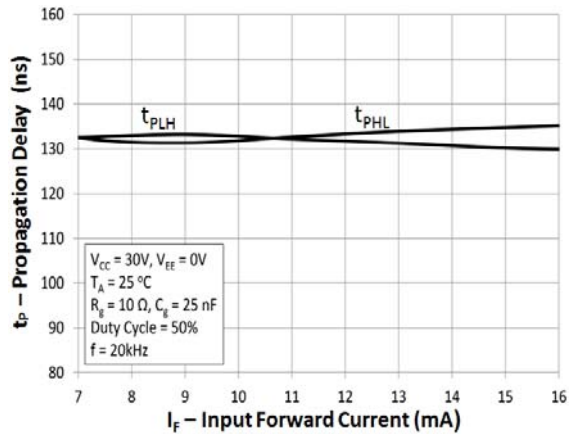


Fig 10 Propagation Delay vs Forward Current

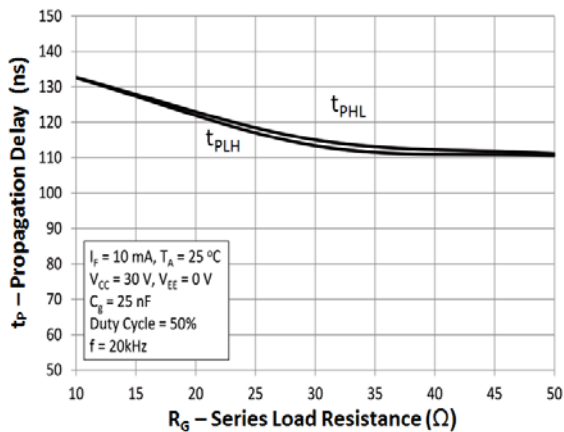


Fig 11 Propagation Delay vs Series Load Resistance

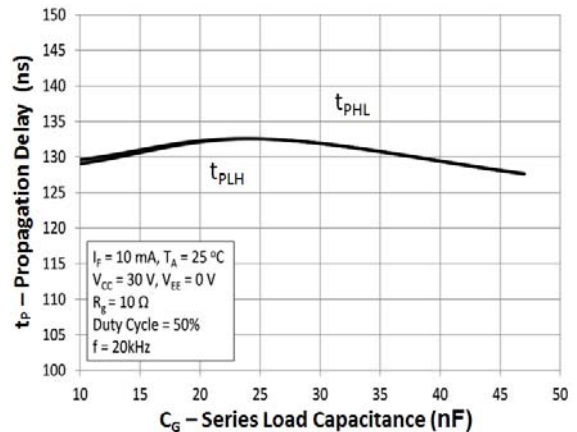


Fig 12 Propagation Delay vs Series Load Capacitance



IS341W

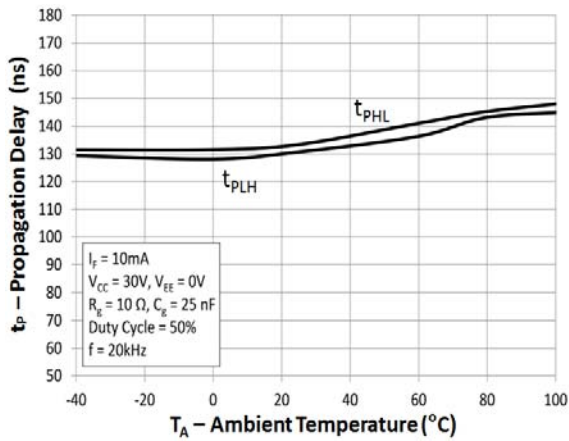
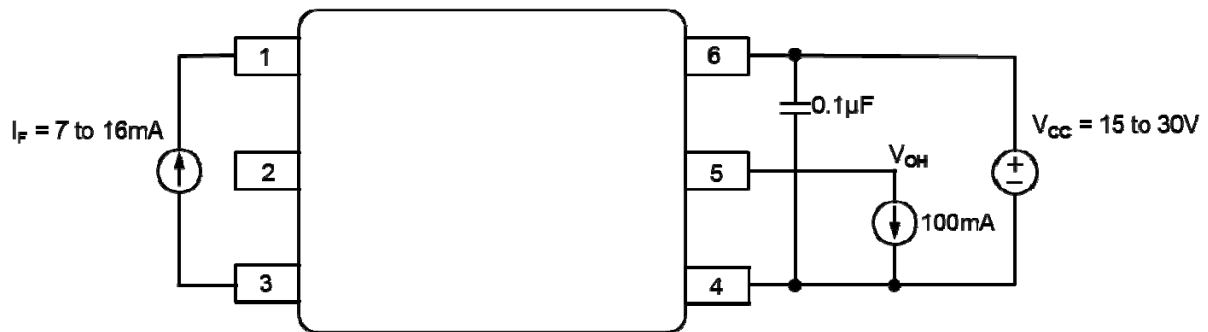
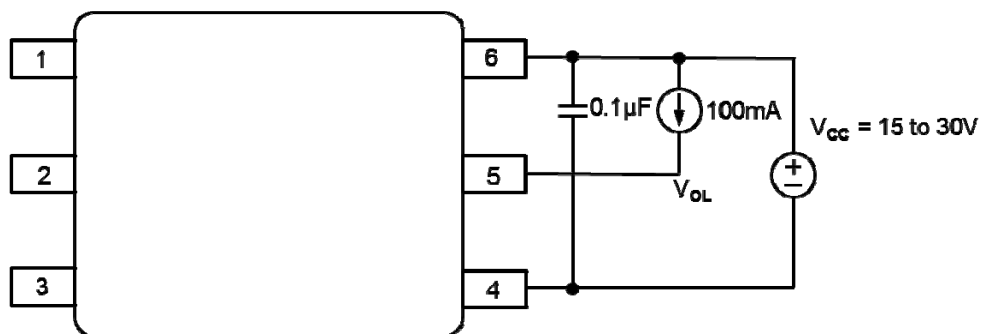


Fig 13 Propagation Delay vs Ambient Temperature



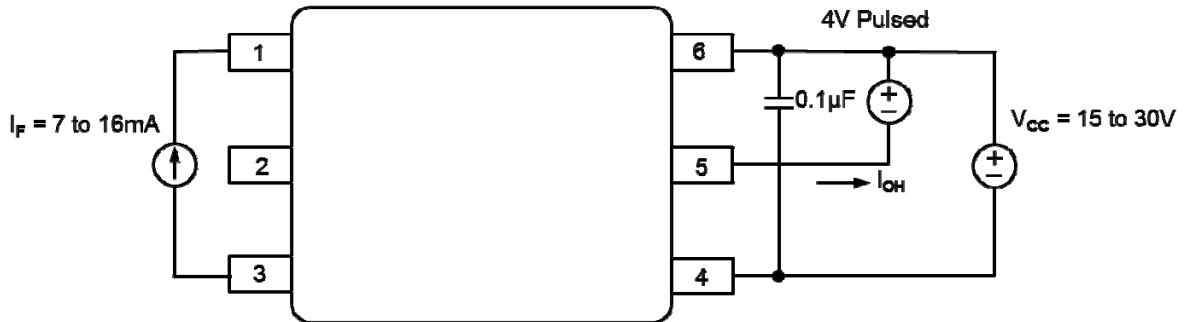
V_{OH} Test Circuit



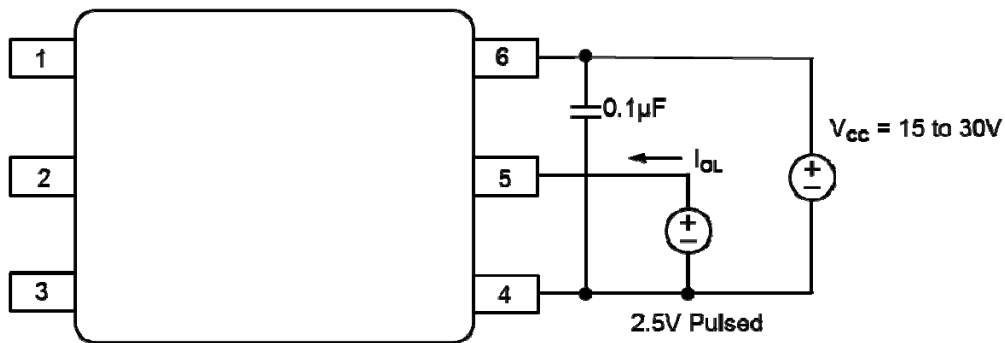
V_{OL} Test Circuit



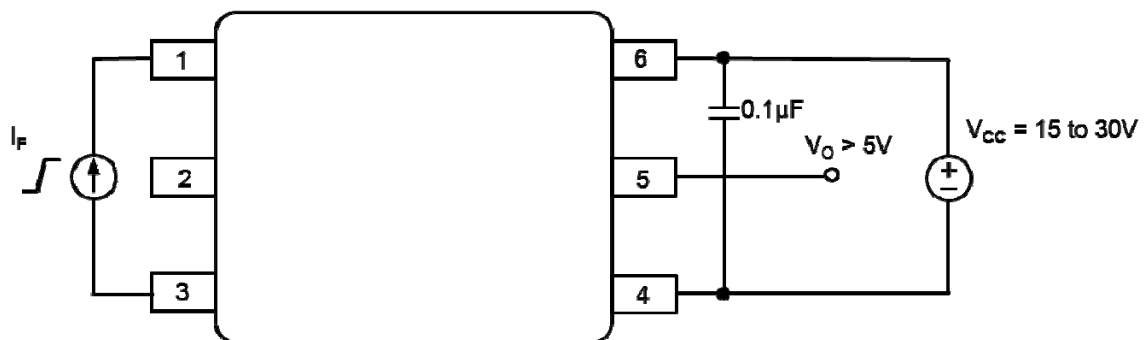
IS341W



I_{OH} Test Circuit



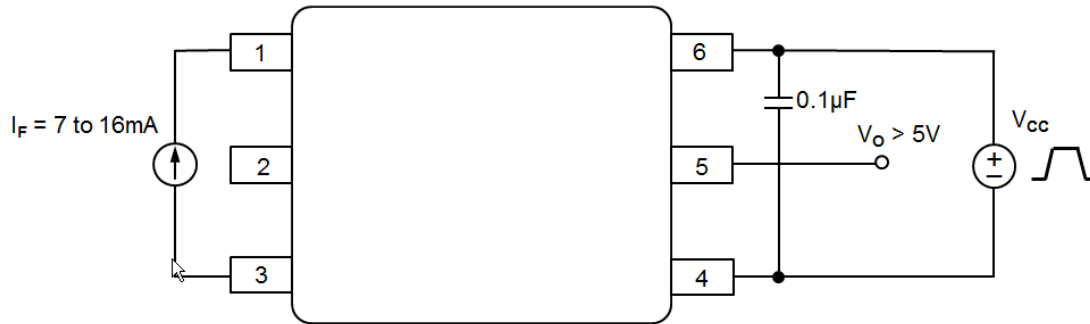
I_{OL} Test Circuit



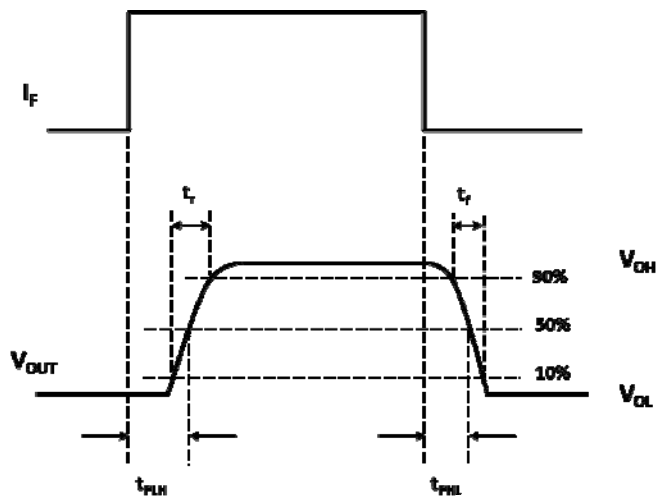
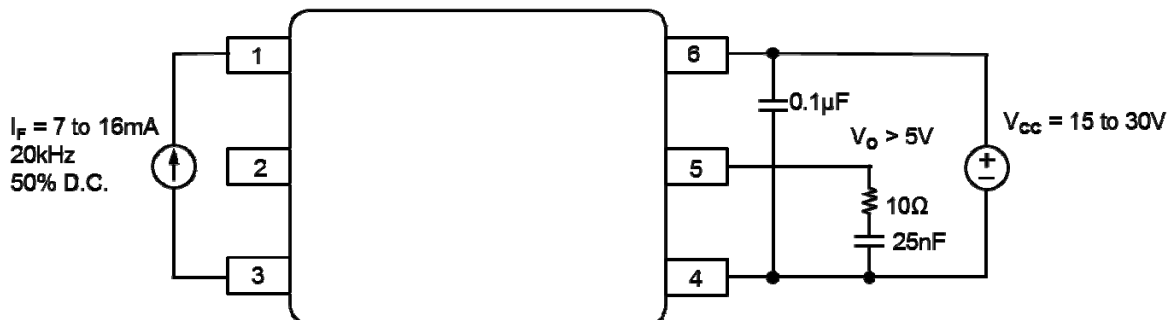
I_{FLH} Test Circuit



IS341W



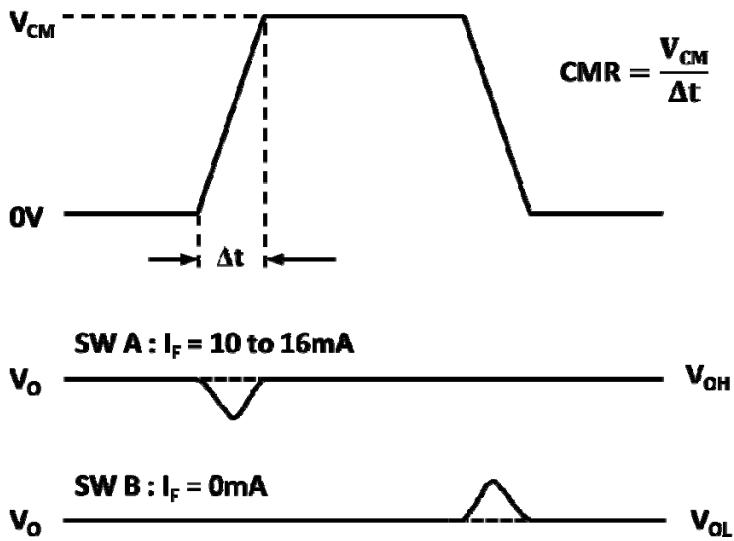
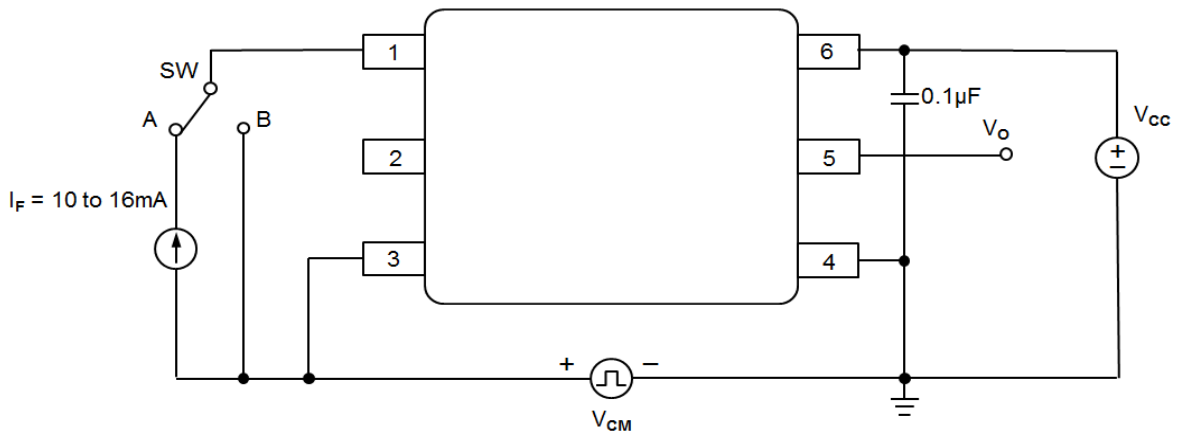
UVLO Test Circuit



t_r , t_f , t_{PLH} and t_{PHL} Test Circuit and Waveform



IS341W



CMR Test Circuit and Waveform



IS341W

ORDER INFORMATION

IS341W			
After PN	PN	Description	Packing quantity
None	IS341W	Stretched SO6 Wide Lead Separation	1000 pcs per reel

DEVICE MARKING

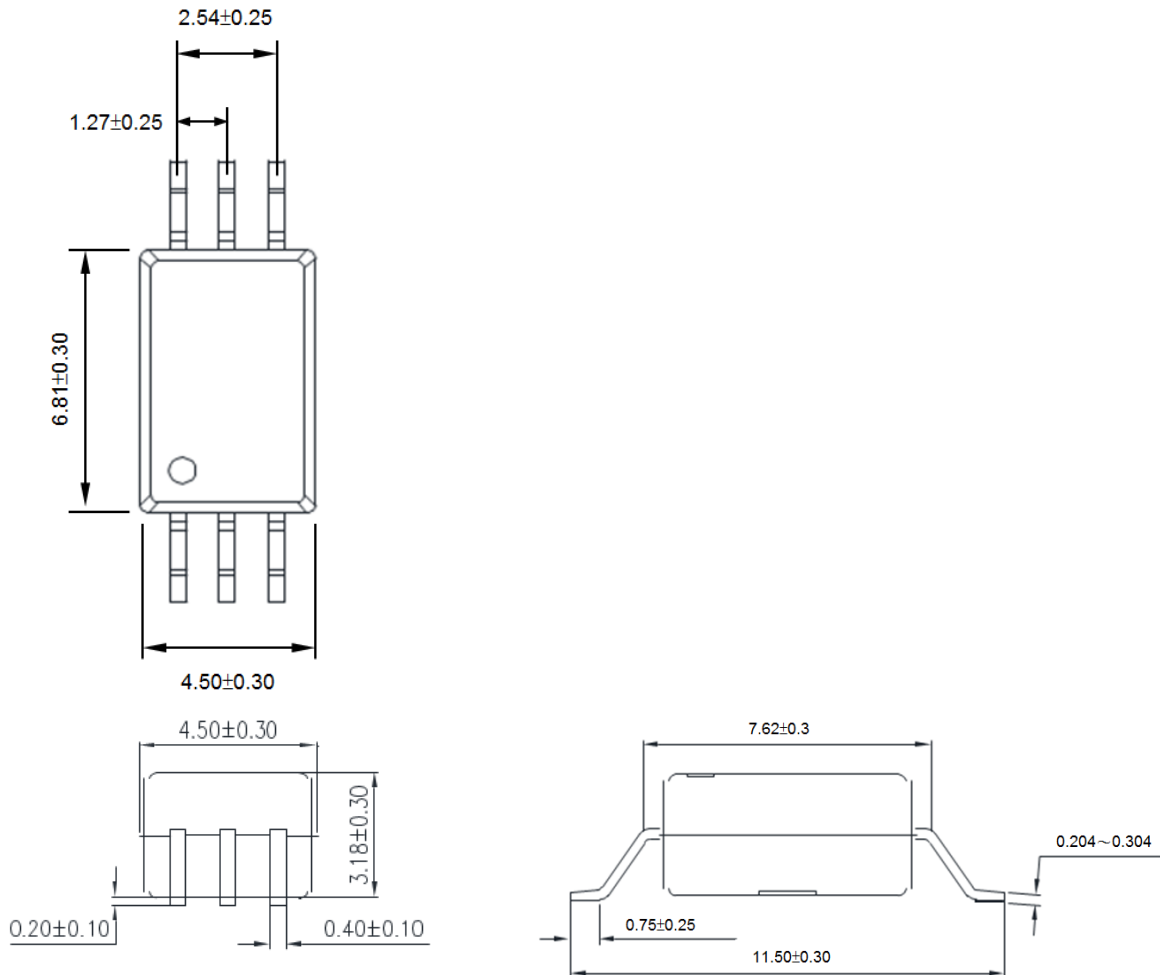


IS341W denotes Device Part Number
I denotes Isocom
YY denotes 2 digit Year code
WW denotes 2 digit Week code

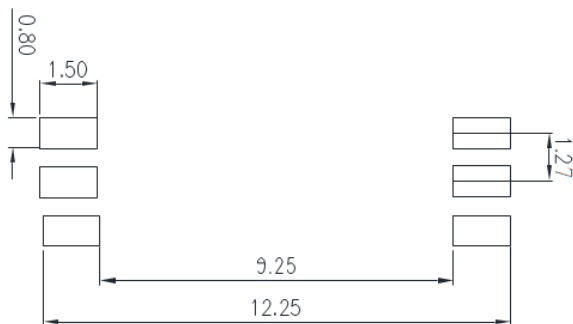


IS341W

PACKAGE DIMENSIONS (mm)



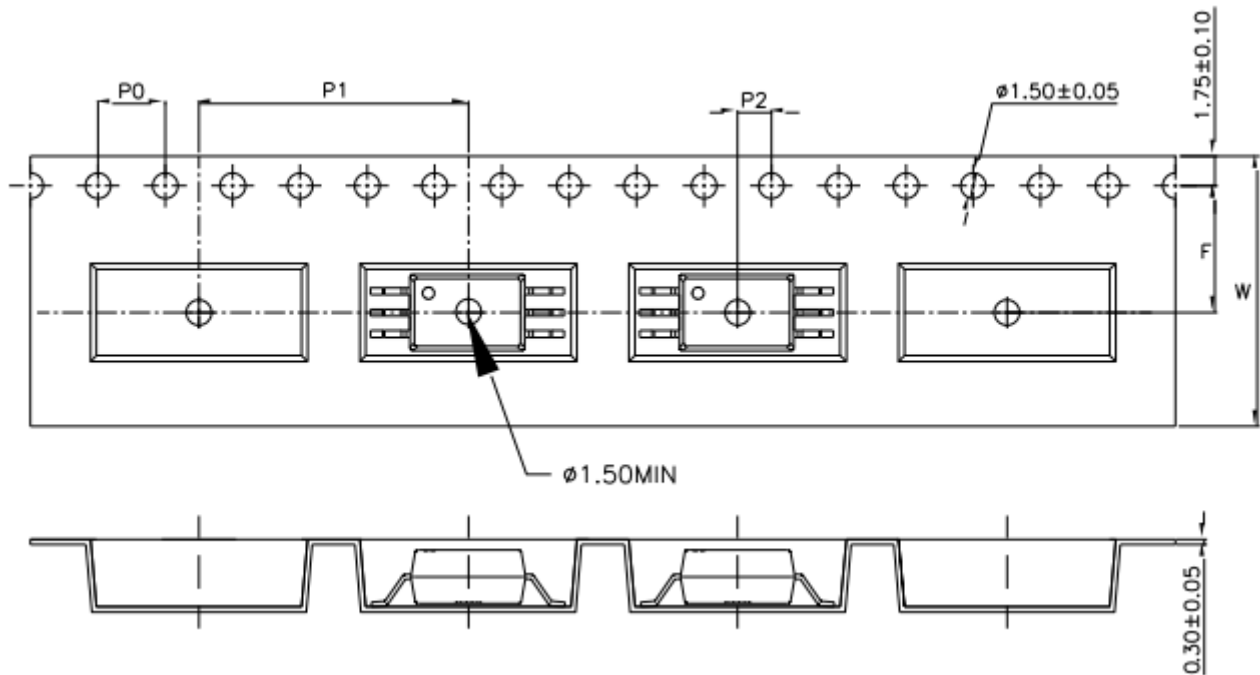
RECOMMENDED PAD LAYOUT (mm)





IS341W

TAPE AND REEL PACKAGING

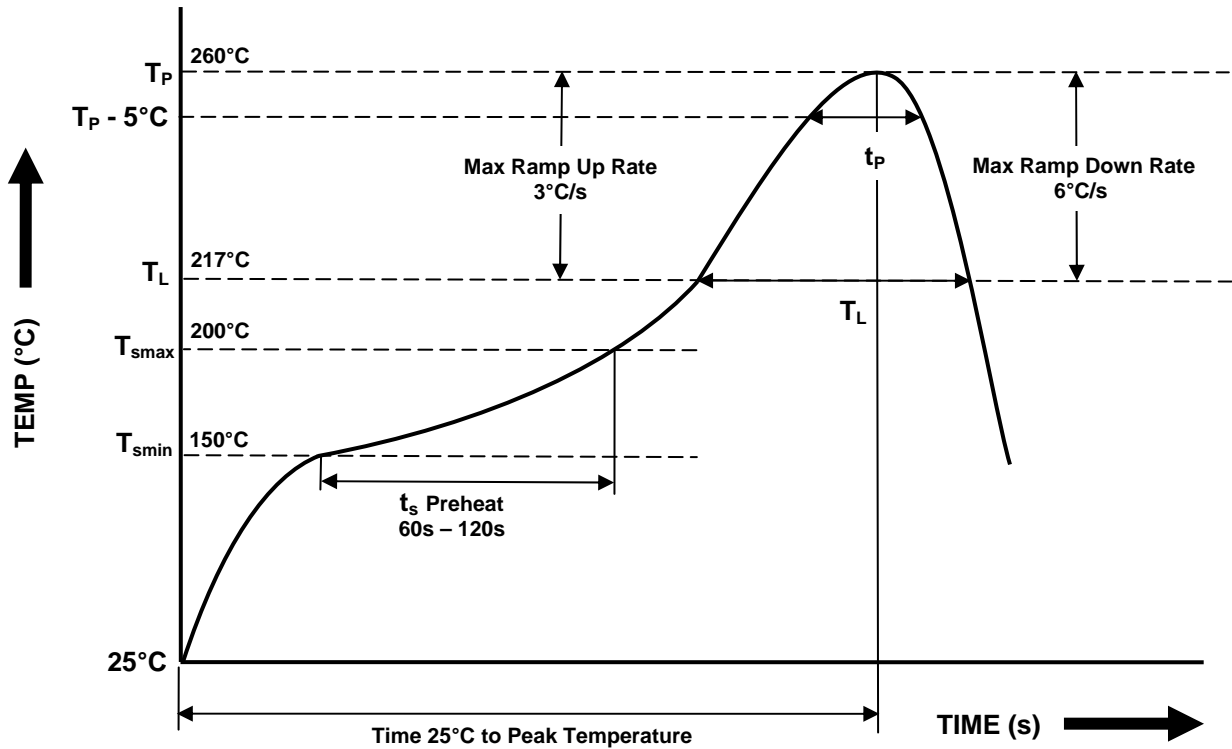


Description	Symbol	Dimension mm (inch)
Tape Width	W	16 ± 0.3 (0.63)
Pitch of Sprocket Holes	P_0	4 ± 0.1 (0.16)
Distance of Compartment to Sprocket Holes	F	7.5 ± 0.1 (0.3)
	P_2	2 ± 0.1 (0.079)
Distance of Compartment to Compartment	P_1	16 ± 0.1 (0.63)



IS341W

IR REFLOW SOLDERING TEMPERATURE PROFILE
(One Time Reflow Soldering is Recommended)



Profile Details	Conditions
Preheat - Min Temperature (T_{SMIN}) - Max Temperature (T_{SMAX}) - Time T_{SMIN} to T_{SMAX} (t_s)	150°C 200°C 60s - 120s
Soldering Zone - Peak Temperature (T_P) - Time at Peak Temperature - Liquidous Temperature (T_L) - Time within 5°C of Actual Peak Temperature ($T_P - 5^\circ\text{C}$) - Time maintained above T_L (t_L) - Ramp Up Rate (T_L to T_P) - Ramp Down Rate (T_P to T_L)	260°C 10s max 217°C 30s max 60s - 100s 3°C/s max 6°C/s max
Average Ramp Up Rate (T_{smax} to T_P)	3°C/s max
Time 25°C to Peak Temperature	8 minutes max



ISOCOM
—▶—□—|—|—
COMPONENTS

IS341W

NOTES :

- Isocom is continually improving the quality, reliability, function or design and Isocom reserves the right to make changes without further notices.
- The products shown in this publication are designed for the general use in electronic applications such as office automation equipment, communications devices, audio/visual equipment, electrical application and instrumentation.
- For equipment/application where high reliability or safety is required, such as space applications, nuclear power control equipment, medical equipment, etc., please contact our sales representatives.
- When requiring a device for any "specific" application, please contact our sales for advice.
- The contents described herein are subject to change without prior notice.
- Do not immerse device body in solder paste.



ISOCOM
— — — — —
COMPONENTS

DISCLAIMER

ISOCOM is continually working to improve the quality and reliability of its products. Nevertheless, semiconductor devices in general can malfunction or fail due to their inherent electrical sensitivity and vulnerability to physical stress. It is the responsibility of the buyer, when utilizing ISOCOM products, to comply with the standards of safety in making a safe design for the entire system, and to avoid situations in which a malfunction or failure of such ISOCOM products could cause loss of human life, bodily injury or damage to property.

In developing your designs, please ensure that ISOCOM products are used within specified operating ranges as set forth in the most recent ISOCOM products specifications.

__ The ISOCOM products listed in this document are intended for usage in general electronics applications (computer, personal equipment, office equipment, measuring equipment, industrial robotics, domestic appliances, etc.). These ISOCOM products are neither intended nor warranted for usage in equipment that requires extraordinarily high quality and/or reliability or a malfunction or failure of which may cause loss of human life or bodily injury (“Unintended Usage”). Unintended Usage include atomic energy control instruments, airplane or spaceship instruments, transportation Instruments, traffic signal instruments, combustion control instruments, medical Instruments, all types of safety devices, etc.. Unintended Usage of ISOCOM products listed in this document shall be made at the customer’s own risk.

__ Gallium arsenide (GaAs) is a substance used in the products described in this document. GaAs dust and fumes are toxic. Do not break, cut or pulverize the product, or use chemicals to dissolve them. When disposing of the products, follow the appropriate regulations. Do not dispose of the products with other industrial waste or with domestic garbage.

__ The products described in this document are subject to the foreign exchange and foreign trade laws.

__ The information contained herein is presented only as a guide for the applications of our products. No responsibility is assumed by ISOCOM Components for any infringements of intellectual property or other rights of the third parties which may result from its use. No license is granted by implication or otherwise under any intellectual property or other rights of ISOCOM Components or others.

__ The information contained herein is subject to change without notice.