



LPS69273NT

Omni SISO 3G-4G Disk/Puck 698-960 MHz/1710-2700 MHz

The patent-pending LPS69273NT antenna is a multiband low profile omnidirectional disk/puck antenna operating over the 698-960 MHz and 1710-2700 MHz frequency bands. Designed to be a surface mount antenna that performs well on metallic and non-metallic* surfaces, the antenna is ideal for use in Machine-to-Machine (M2M) applications. The housing incorporates a low profile, rugged design that conforms to IP67 standards making the antenna suitable for both indoor and outdoor applications.

FEATURES AND BENEFITS

- Low profile, aesthetically-neutral housing
- Surface mount with stud and locking nut
- Designed for both indoors and outdoors
- IP67-rated for harsh environments
- Both 3G/4G LTE and Wi-Fi communications
- Made for both metal and non-metallic* surfaces

* Requires a 300-millimeter diameter ground plane kit (order separately with P/N HKIT-LPx-001)

ELECTRICAL SPECIFICATION

Model Name	698-806	824-894	880-960	1710-1880	1850-1990	1910-2170	2300-2500	2500-2700
Number of Ports	<2.7:1	<2.9:1	<2.8:1	<2.1:1	<1.7:1	<1.7:1	<2.3:1	<2.3:1
Operating Frequency (MHz)	<3.0:1	<3.0:1	<3.0:1	<3.0:1	<3.0:1	<3.0:1	<3.0:1	<3.0:1
Peak Gain - Average (dBi)								
Peak Gain (dBi)	2.1	0.7	1.7	5.4	4.6	4.5	3.4	3.7
VSWR - Avg	2.4	1.1	2.3	5.5	4.4	4.0	3.8	3.8
VSWR - Max								
PIM - 2x20W (dBc) (Max)	2.5	1.1	2.3	5.9	4.8	4.9	3.8	4.0
PIM - 2x20W (dBc) (Average)	2.9	1.4	3.1	5.9	5.3	4.3	4.4	4.3
Isolation, Max (dB)					50			
Isolation, Avg (dB)					10			
Ports					Linear, Vertical			
Nominal Impedance (Ω)					Omnidirectional			

MECHANICAL SPECIFICATIONS

Dimensions - diameter x height - mm (inches)	127 x 31 (5 x 1.22)
Weight - kg (lbs.)	Approximately 0.2 (0.44)
Cable Type	RG316
Radome Material and Color	PC, UV stable, UL94-V0- material, black
Cable Type	RG316

ENVIRONMENTAL SPECIFICATIONS

Operating Environment	Indoor or outdoor
Operating Temperature - °C (°F)	-30 to +70°C (-22 to +158°F)
Storage Temperature - °C (°F)	-40 to +85°C (-40 to +185°F)
Ingress Protection Rating	IP67
Material Substance Compliance	RoHS

CONFIGURATION

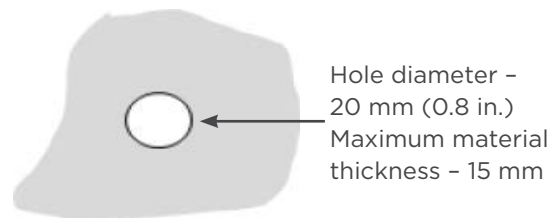
PART NUMBER	CABLE LENGTH	CONNECTOR
LPS69273NT-61SMAM	610 mm (24 in.)	SMA-male
LPS69273NT-61RTNM	610 mm (24 in.)	RTNC-male

MOUNTING

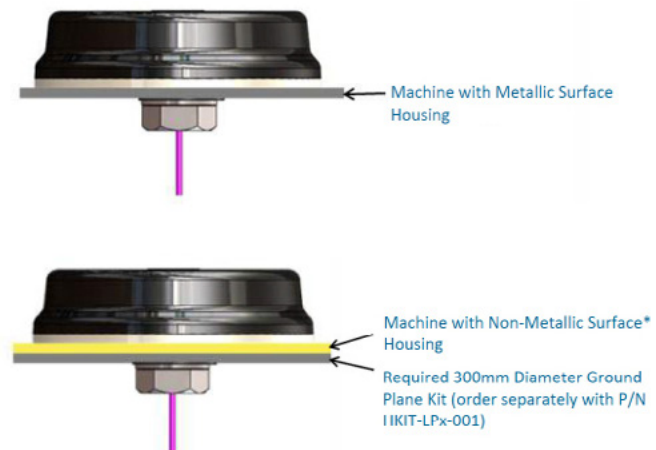
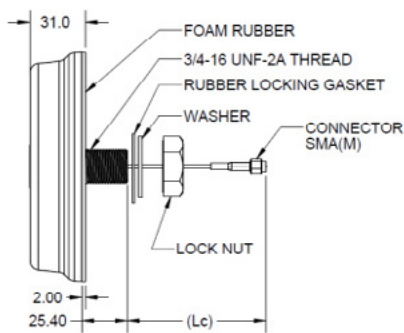
A threaded post on the back of the antenna and a supplied mounting nut is the primary mounting method when access is available to both sides of the mounting surface, such as a ceiling of a truck, meter, and vending machine. Mark the desired mounting location on the tile and cut a $\varnothing 20$ mm (0.8") hole for threaded post. Feed the cables through the hole and secure the antenna with the mounting nut.

The included rubber locking gasket should only be used with the mounting nut when mounting to a hard surface.

Note: You should mount the antenna on the desired location before you connect the cable. This ensures that you do not twist or damage the cable during the mounting of the antenna.

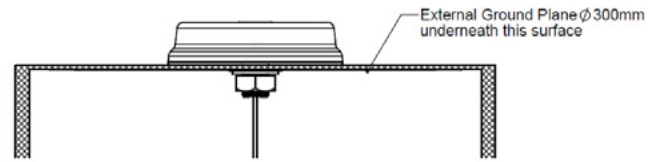
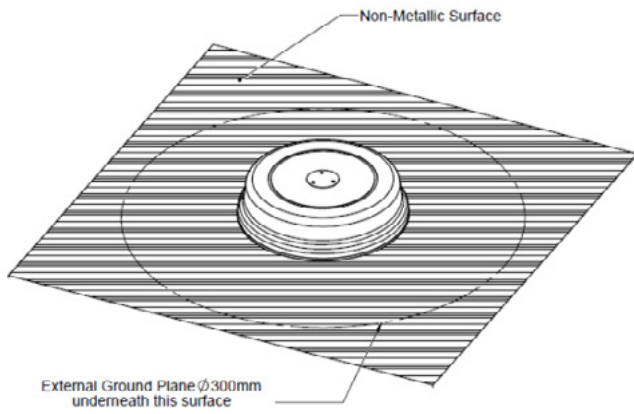


HOUSING CONFIGURATIONS



OPTIONAL GROUND PLANE KIT

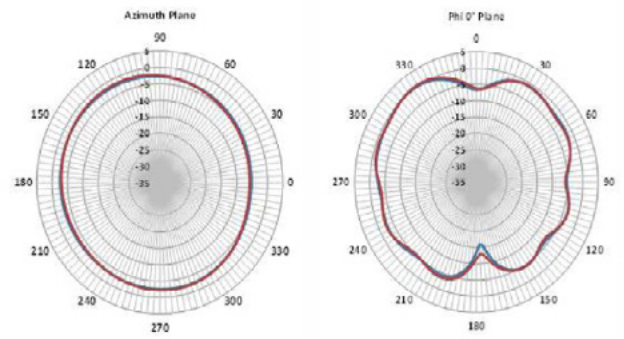
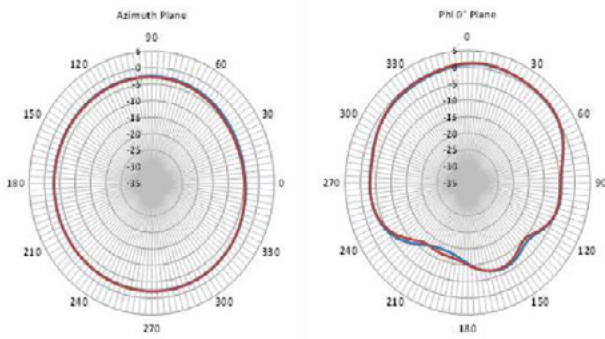
For mounting on a non-metallic surface - Hardware Kit Part Number: HKIT-LPx-001



RADIATION PATTERNS

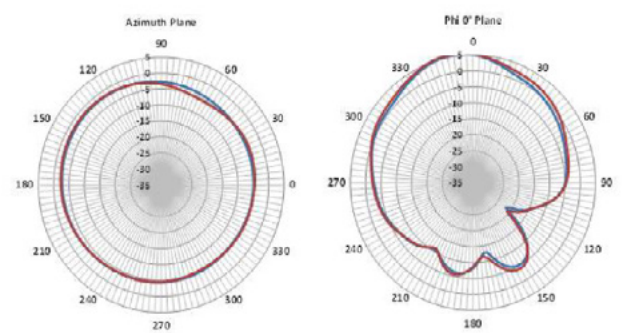
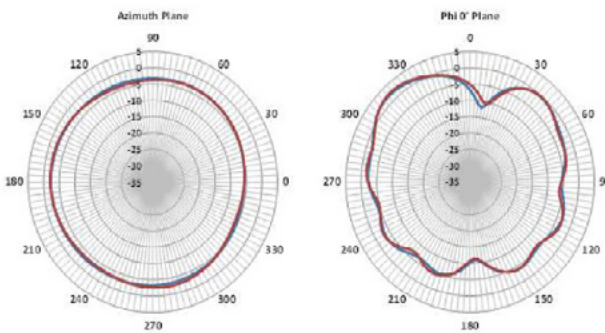
698 MHz

880 MHz



960 MHz

1710 MHz

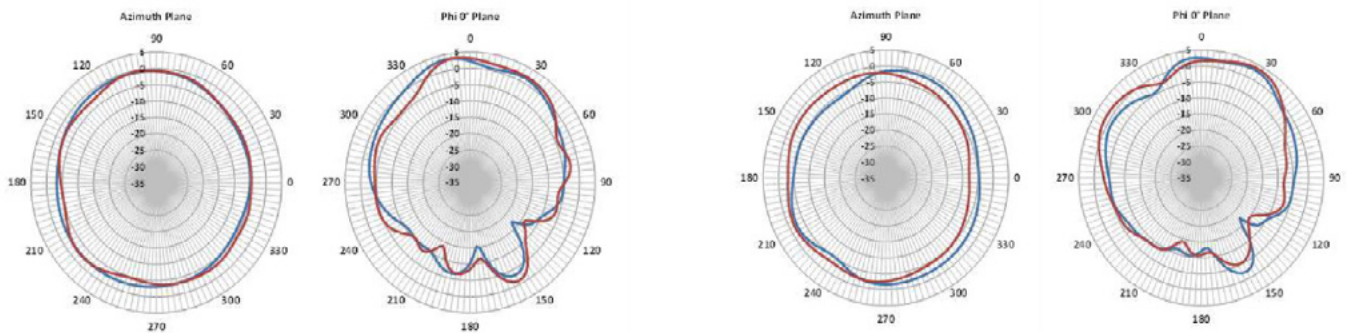


— On metal housing
— On plastic housing with ground plane kit

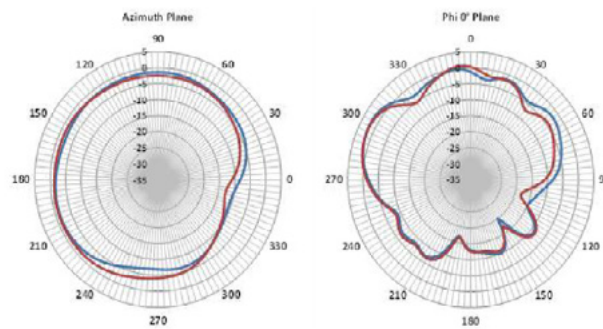
RADIATION PATTERNS

1950 MHZ

2170 MHZ



2700 MHZ



— On metal housing
— On plastic housing with ground plane kit

TE TECHNICAL SUPPORT CENTER

USA:	+1 (800) 522-6752
Canada:	+1 (905) 475-6222
Mexico:	+52 (0) 55-1106-0800
Latin/S. America:	+54 (0) 11-4733-2200
Germany:	+49 (0) 6251-133-1999
UK:	+44 (0) 800-267666
France:	+33 (0) 1-3420-8686
Netherlands:	+31 (0) 73-6246-999
China:	+86 (0) 400-820-6015

te.com

TE, and TE connectivity (logo) are trademarks owned or licensed by the TE Connectivity Ltd. family of companies. All other logos, products and/or company names referred to herein might be trademarks of their respective owners.

The information given herein, including drawings, illustrations and schematics which are intended for illustration purposes only, is believed to be reliable. However, TE Connectivity makes no warranties as to its accuracy or completeness and disclaims any liability in connection with its use. TE Connectivity's obligations shall only be as set forth in TE Connectivity's Standard Terms and Conditions of Sale for this product and in no case will TE Connectivity be liable for any incidental, indirect or consequential damages arising out of the sale, resale, use or misuse of the product. Users of TE Connectivity products should make their own evaluation to determine the suitability of each such product for the specific application.

TE Connectivity warrants to the original end user customer of its products that its products are free from defects in material and workmanship. Subject to conditions and limitations TE Connectivity will, at its option, either repair or replace any part of its products that prove defective because of improper workmanship or materials. This limited warranty is in force for the useful lifetime of the original end product into which the TE Connectivity product is installed. Useful lifetime of the original end product may vary but is not warranted to exceed one (1) year from the original date of the end product purchase.

©2022 TE Connectivity. All Rights Reserved.

08/22 Original