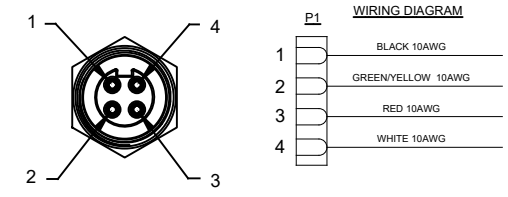
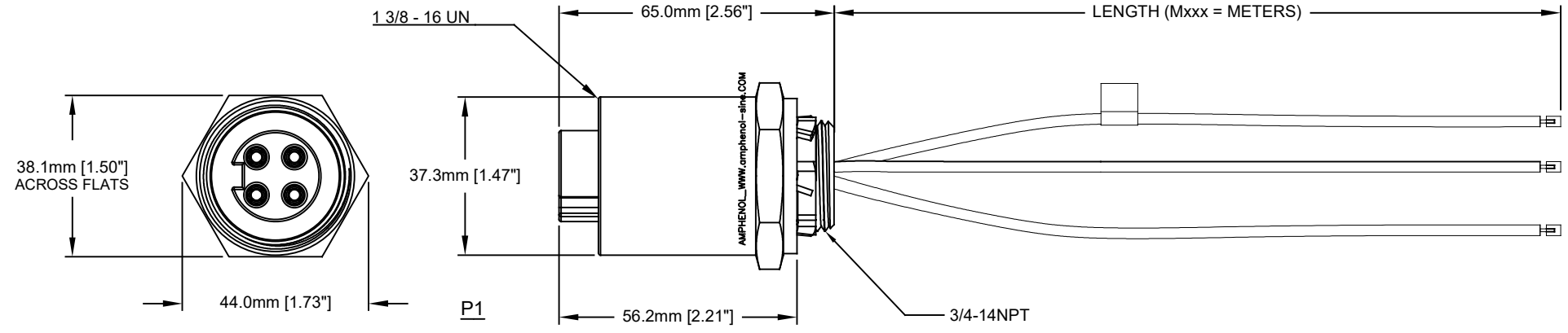


REVISIONS					
REV	ECO	DESCRIPTION	DATE	BY	APPR
A1	-	TECHNICAL DATA SHEET RELEASE	12-MAY-14	KMM	RFC



**TECHNICAL DATA:**

- MATERIALS:**  
HOUSING: MACHINED ALUMINUM, ANODIZED  
INSULATION INSERT: THERMOPLASTIC, UL 94/V-0  
CONTACT: GOLD FLASH PLATING OVER COPPER ALLOY  
CONDUCTOR INSULATION: PVC  
NUMBER OF CONDUCTORS: (4) 10AWG
- ELECTRICAL DATA:**  
CURRENT (MAX): 25A  
VOLTAGE (MAX): 600V AC/DC  
INSULATION RESISTANCE (MIN): 5000M OHMS  
DIELECTRIC TEST VOLTAGE: 2200V
- MECHANICAL DATA:**  
KNOCKOUT HOLE SIZE FOR PANEL MOUNT: 22.2mm [.88"]  
TEMPERATURE RANGE: -40°C TO 90°C  
PROTECTION: IP67 (MATED CONDITION)  
MATING CYCLES: >500  
VIBRATION RESISTANCE PER MIL-STD-202 METHOD 204  
THERMAL SHOCK PER MIL-STD-202 METHOD 207  
48 HOUR SALT SPRAY PER MIL-STD-202 METHOD 101
- RoHS COMPLIANT**
- UL 2237 LISTED ASSEMBLY**  
UL FILE NUMBERS: E339703

Amphenol P/N	MOLEX	TURCK
P29024-M*	CR4C00A30M*	GKDF40-*M/14.75/NPT
P29024-M.5	CR4C00A30M005	GKDF40-.5M/14.75/NPT
P29024-M1	CR4C00A30M010	GKDF40-1M/14.75/NPT
P29024-M2	CR4C00A30M020	GKDF40-2M/14.75/NPT
P29024-M3	CR4C00A30M030	GKDF40-3M/14.75/NPT

TOLERANCE	
0-2.99 M = +100.0/-25.0mm	0-9.99 FT = +4" / -1"
3-8.99 M = +150.0/-25.0mm	10.00-29.99 FT = +6" / -1"
9-14.99 M = +300.0/-25.0mm	30.00-49.99 FT = +12" / -1"
15-OVER M = +450.0/-25.0mm	50 FT-OVER = +18" / -1"

QUANTITY	PART NUMBER	DESCRIPTION	ITEM
<b>MATERIALS LIST</b>			
<small>UNLESS OTHERWISE SPECIFIED</small> 1) All dimensions are in metric (mm). 2) Tolerances are as follows: 1 PL DEC ±0.30   Fractions ±1/64 2 PL DEC ±0.15   Angles ±1° 3 PL DEC ±0.08 3) Note reference =		<b>Amphenol</b> Sine Systems - www.amphenol-sine.com 44724 Morley Drive Clinton Township, MI 48036	
<small>SIGNATURES</small> DRAWN: KMM CHECKED: MRF ENGINEER: KMM APPROVAL: RFC DATE: 12-MAY-14		M35 PB LITE, 4 PIN, FEMALE RECEPTACLE TRUNK, 10 AWG, 3/4 - 14NPT	
<small>MATERIAL SPECIFICATIONS:</small> THIS DRAWING IS SUPPLIED FOR INFORMATION ONLY. DESIGN FEATURES, SPECIFICATIONS AND PERFORMANCE DATA SHOWN HEREON ARE THE PROPERTY OF THE AMPHENOL CORPORATION. NO RIGHTS OF REPRODUCTION ARE IMPLIED. ALL DIMENSIONS ARE SUBJECT TO NORMAL MANUFACTURING VARIATIONS.		<small>SIZE</small> <b>C-</b>	<small>TYPE</small> <b>P29024-Mxxx</b>
<small>PROCESS SPECIFICATIONS:</small> NEXT ASSY:		<small>DWG NO:</small> <b>P29024-Mxxx</b>	<small>REVISION</small> <b>A1</b>
<small>SCALE</small> <b>FULL</b>		<small>C-PART</small> <b>C-P29024</b>	<small>SHEET</small> <b>1 OF 1</b>

TRUCKS PB LITE, 4 PIN, FEMALE REC., 10AWG, 3/4-14NPT dwg no: C-P29024-Mxxx rev: A1 sh: 1 of: 1