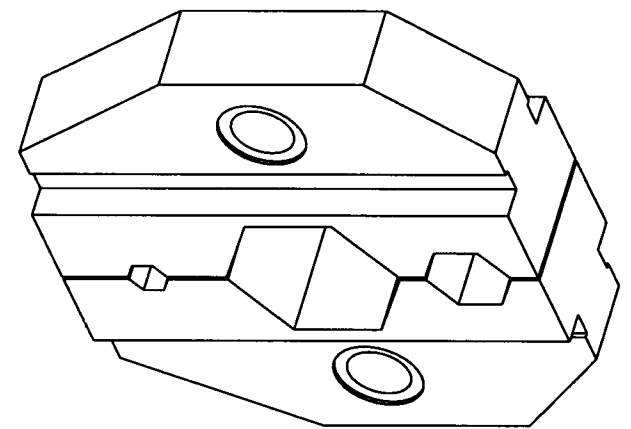
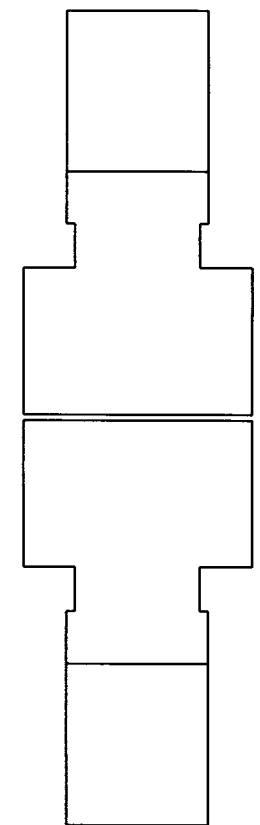
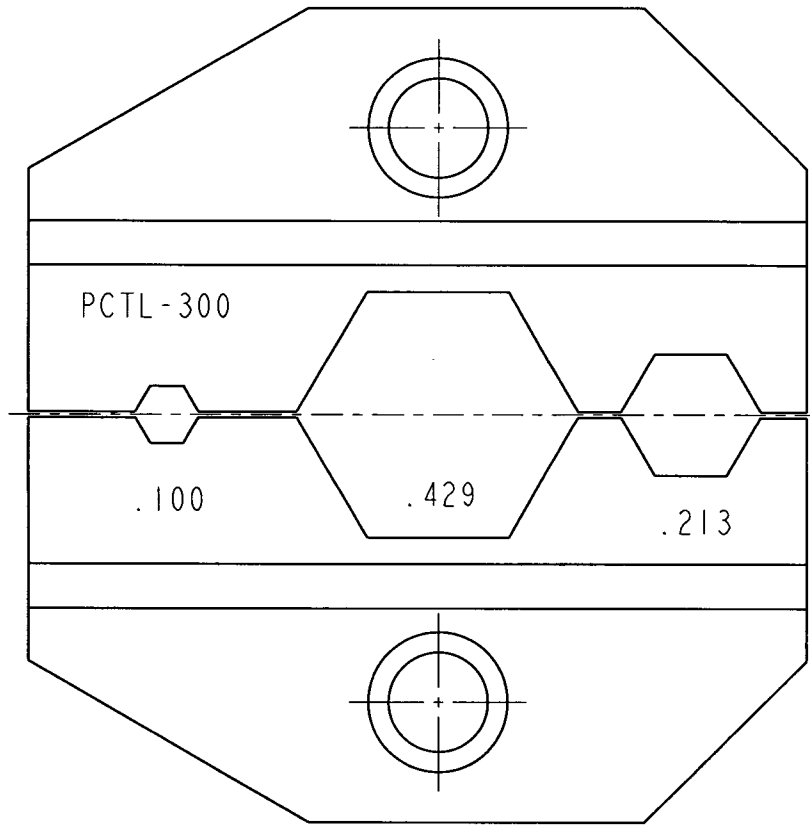


NOTES:

- 1. APPROVED SOURCE:
 IDEAL INDUSTRY
 BECKER PLACE
 SYCAMORE, ILL. 60178
 P/N# = 01-1083-1
 OUR P/N#- PCTL-300

PCTL-300		REVISIONS		
DRAWING NO.	REV	DESCRIPTION	DATE	ECO
THIRD ANGLE PROJ.	A	RELEASE TO MFG.	7/24/00	43430
				APPR CPM



SCALE 2.000

UNLESS OTHERWISE SPECIFIED, DIMENSIONS ARE IN INCHES AND TOLERANCES ARE:
 2 PLACE DECIMAL ±.015 (0,381 mm)
 3 PLACE DECIMAL ±.005 (0,127 mm)
 ANGLES ± 1°

NOTICE - These drawings, specifications, or other data (1) are, and remain the property of Amphenol Corp. (2) must be returned upon request; and (3) are confidential and not to be disclosed to any person other than those to whom they are given by Amphenol Corp. The furnishing of these drawings, specifications, or other data by Amphenol Corp., or to any other person to anyone for any purpose is not to be regarded by implication or otherwise in any manner licensing, granting rights or permitting such holder or any other person to manufacture, use or sell any product, process or design, patented or otherwise, that may in any way be related to or disclosed by said drawings, specifications, or other data.

MATERIAL

REFERENCE
 EAR 967582-0
 GEN# TOOL_DIESET1

DRAWN C. McGRATH	DATE 13-Jul-00
ENGINEER T. AUBIN	DATE 13-Jul-00
APPROVED <i>T. Aubin</i>	DATE 7/19/00
CAD FILE I:\TOOL-PARTS\PCTL-300	

TITLE
 HEX DIE SET
 .100, .429, .213

Amphenol
 Amphenol Corporation
 Communication and Network
 Products Division
 Danbury, CT U.S.A. 06810

SCALE: 3.0:1 SHEET 1 OF 1

CODE ID 74868 DWG SIZE B DRAWING NO. PCTL-300 REV A