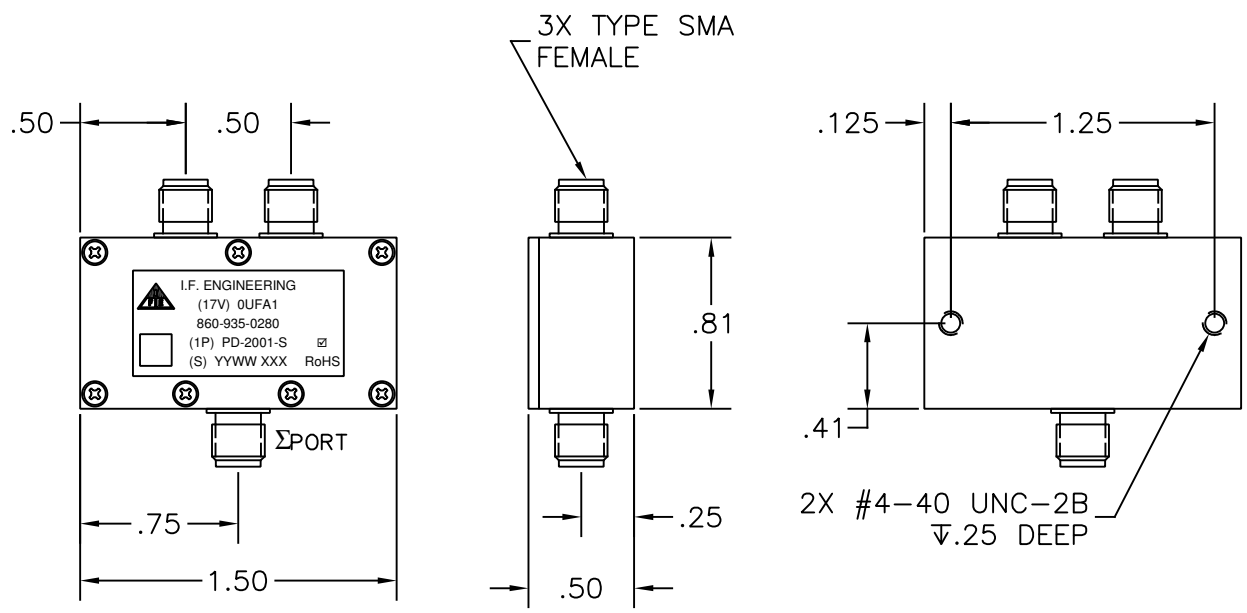
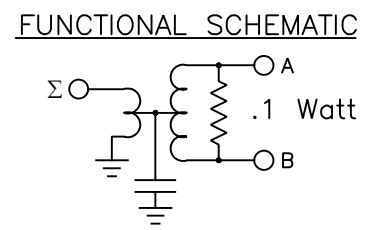


THIS DOCUMENT CONTAINS PROPRIETARY INFORMATION. ANY REPRODUCTION, DISCLOSURE, OR USE OF ITS CONTENTS IS EXPRESSLY PROHIBITED EXCEPT AS AUTHORIZED BY I.F. Engineering Corp

REVISION			
LTR.	DESCRIPTION	DATE	APPVL.
A	Update Chassis	1/04	lcf
B	Change Temp	9/04	lcf
C	Corr Conn	10-04	CL
D	Update Chassis	11/23/04	MJD
E	Add Label, .25 & .75 Dim's.	07/05/06	MJD
F	Per ECN 0917002: Finish Changed, 'RoHS-Compliant' Logo Added	04/27/09	MJD
G	ECO #1635005	9/2/16	MJD
H	ECO #1906002	2/14/19	MJD



ELECTRICAL SPECIFICATION TWO-WAY POWER DIVIDER	
FREQUENCY RANGE (MHZ)	0.5-32
ISOLATION (dB) MIN.	40
INSERTION LOSS (dB) MAX.	0.3
INPUT POWER (W) MAX.	3.0
AMPLITUDE BAL. (dB) MAX.	0.1
PHASE BAL. (°) MAX.	N/A
VSWR MAX.	
IN	1.1:1
OUT	1.1:1
IMPEDANCE (OHMS) NOM.	50
TEMPERATURE RANGE (°C)	-55 TO +85



NOTES:
 1. MATERIAL: CHASSIS & COVER ALUMINUM
 2. FINISH: CLEAR CHROMATE
 3. SPECIFICATION SUBJECT TO CHANGE WITHOUT NOTICE

**RoHS
Compliant**

UNLESS OTHERWISE SPECIFIED DIMENSIONS MEASURED IN INCHES DRAWING PRACTICES PER ASME Y14.100

TOLERANCES ANGLES ±1/2°
 .XX ±.01 .XXX ±.005

MATERIAL: SEE NOTE 1

FINISH: SEE NOTE 2

DRAWN	DATE
LCF	5/25/98
ENGRG APPD	DATE
CL	10/26/04
MFG APPD	DATE
EDW	10/26/04
QA APPD	DATE
EDW	10/26/04
RELEASED	DATE
CL	10/26/04

I.F.E ENGINEERING
 3 FOSHAY ROAD, DUDLEY MA 01571

TITLE
OUTLINE DRAWING
PD-2001-S

SIZE	CODE IDENT NO.	DRAWING NO.	REV.
A	OUF A1	002-104-181	H
SCALE	1:1	SHEET 1 OF 1	