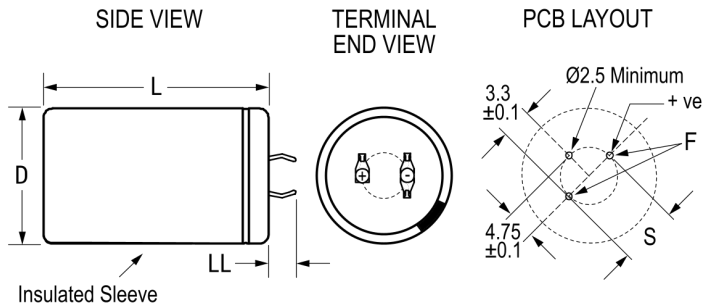


PEH536JDE5150M3

Aliases (A551EF153M035F)

PEH536, Aluminum Electrolytic, 15,000 uF, 20%, 35 VDC, -40/+105°C



Click [here](#) for the 3D model.

Dimensions

| | |
|----|---------------|
| D | 35mm +/-0.5mm |
| L | 40mm +/-1mm |
| S | 10mm +/-0.1mm |
| LL | 4mm +/-1mm |
| F | 2mm +/-0.1mm |

Packaging Specifications

| | |
|--------------------|-----------|
| Packaging | Bulk, Bag |
| Packaging Quantity | 100 |

General Information

| | |
|------------------|---|
| Series | PEH536 |
| Dielectric | Aluminum Electrolytic |
| Description | Snap-In, Aluminum Electrolytic |
| RoHS | Yes |
| Lead | 3 Pin Short |
| AEC-Q200 | No |
| Component Weight | 56 g |
| Notes | Add 0.5mm To D And 1mm To L For Sleeving. |
| Shelf Life | 208 Weeks |

Specifications

| | |
|-----------------------|---|
| Capacitance | 15,000 uF |
| Capacitance Tolerance | 20% |
| Voltage DC | 35 VDC |
| Temperature Range | -40/+105°C |
| Rated Temperature | 105°C |
| Life | 4600 Hrs (Rated Voltage And Ripple Current At 105C), 6000 Hrs (Rated Voltage At 105C) |
| Resistance | 18 mOhms (100Hz 20C), 14 mOhms (100kHz 20C) |
| Ripple Current | 5 Amps (100Hz 105C), 16.5 Amps (20kHz 40C) |
| Leakage Current | 1575 uA (5min 20°C) |

Statements of suitability for certain applications are based on our knowledge of typical operating conditions for such applications, but are not intended to constitute - and we specifically disclaim - any warranty concerning suitability for a specific customer application or use. This information is intended for use only by customers who have the requisite experience and capability to determine the correct products for their application. Any technical advice inferred from this information or otherwise provided by us with reference to the use of our products is given gratis, and we assume no obligation or liability for the advice given or results obtained.