

## SUMMARY

### # Wires

Low voltage 4



*Image is for illustrative purpose only*

Series	4B
Termination type	Female crimp
IP rating	50
AWG wire size	14.00 - 10.00
Cable Ø	9.10 - 10.50 mm
Status	active
Matching parts	<a href="#">FGA.4B.304.CYCD10Z</a>

### Download

[Request a quote](#)

[Catalog](#)

## TECHNICAL DETAILS

### Mechanics

Shell Style/Model	PF*: Fixed receptacle, with two nuts, cable collet (back panel mounting)
Keying	2 keys (alpha=30, plug: male contacts, receptacle: female contacts)
Housing Material	Brass (chrome plated [SAE AMS 2460]) shell and collet nut, nickel plated [SAE AMS QQ N 290] brass latch sleeve and mid pieces
Variant	Z : Nut for fitting a bend relief
Weight	153.18 g

### Performance

Configuration	4B.304 : 4 Low Voltage
Insulator	Y: PEEK for crimp contacts
Rated Current	30 Amps

### Specifications

Contact Type:	Crimp
Contact Retention:	75 N
Contact Dia.:	3 mm (0.118in)
Bucket Dia.:	2.9 mm (0.114in)
Min. Conductor:	2.5 mm <sup>2</sup> (AWG 14)
Max. Conductor:	4 mm <sup>2</sup> (AWG 10)

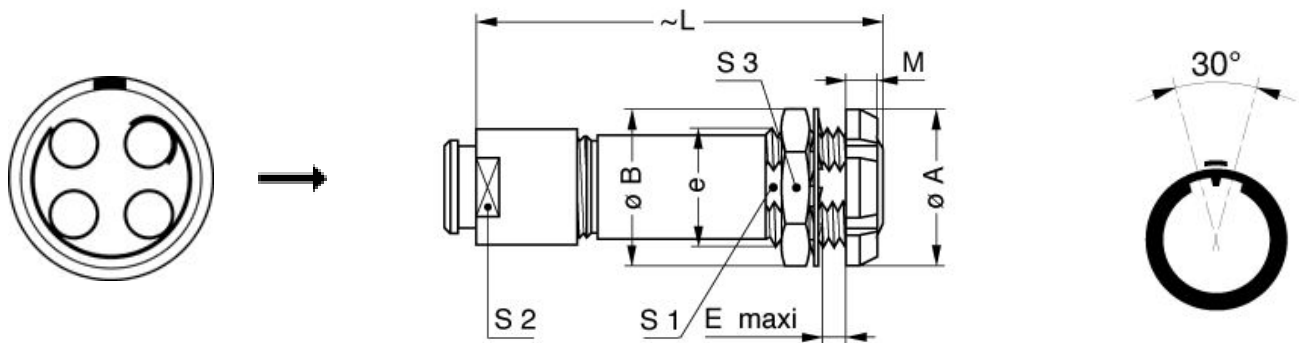
LEMO products and services are provided "as is". LEMO makes no warranties or representations with regard to LEMO product & services or use of them, express, implied or statutory, including for accuracy, completeness, or security. The user is fully responsible for his products and applications using LEMO components.

R (max): 3.1 mOhm  
 Vtest (contact-shell): 1200 V (AC), 1700 V (DC)  
 Vtest (contact-contact): 1800 V (AC), 2550 V (DC)

## Others

Endurance (Shell): 5000  
 Temp (min / max): -55° C / +250° C  
 Humidity (max): <=95% [at 60 deg C / 140 F]  
 Vibration: 15 g [10 Hz - 2000 Hz]  
 Shock Resistance: 100 g [ 6 ms]  
 Climatical Category: 50/175/21  
 Shielding (min): 75 dB (10 MHz)  
 Shielding (min): 40 dB (1 GHz)  
 Salt Spray Corrosion: >1000 hr

## DRAWINGS



## Dimensions

	A	B	E	L	M	S1	S2	S3	e
mm.	30	32	11	69	4.5	23.5	20	30	M25x1.0
in.	1,18	1,26	0,43	2,72	0,18	0,93	0,79	1,18	

## RECOMMENDED BY LEMO

LEMO products and services are provided "as is". LEMO makes no warranties or representations with regard to LEMO product & services or use of them, express, implied or statutory, including for accuracy, completeness, or security. The user is fully responsible for his products and applications using LEMO components.

## Tools

Crimp Tool:	<a href="#">DPC.91.102.V</a>
Crimp settings:	AWG/Selector = 10-12-14/3-1-1
Positionner:	<a href="#">DCE.91.304.BVCM</a>
Extractor:	<a href="#">DCC.30.35B.LAG</a>
Replacement contact:	EGG.4B.680.ZZM
Spanner wrench:	<a href="#">Socket for torque wrench DCM.65.270.AZ</a>

*LEMO products and services are provided "as is". LEMO makes no warranties or representations with regard to LEMO product & services or use of them, express, implied or statutory, including for accuracy, completeness, or security. The user is fully responsible for his products and applications using LEMO components.*