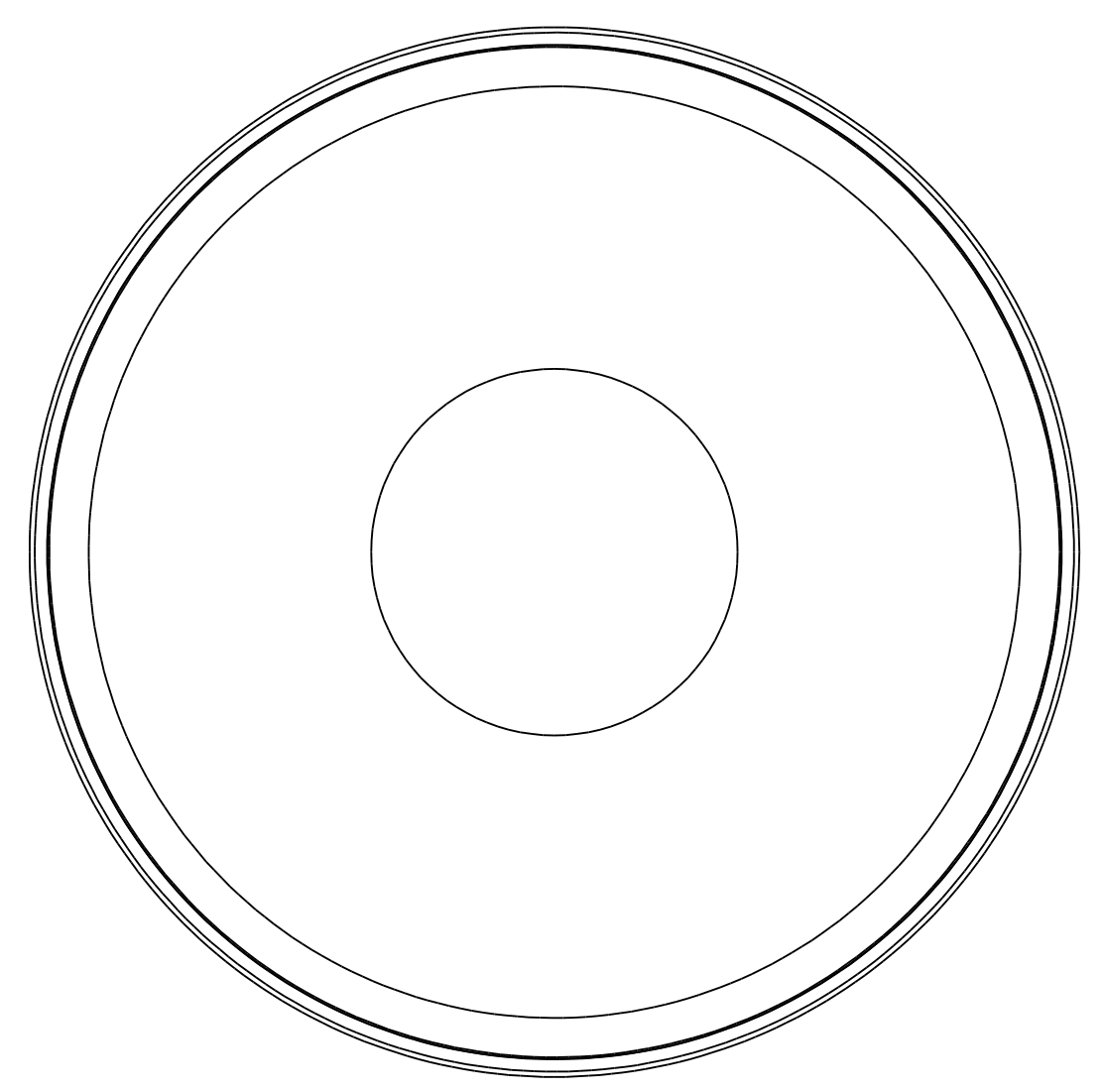
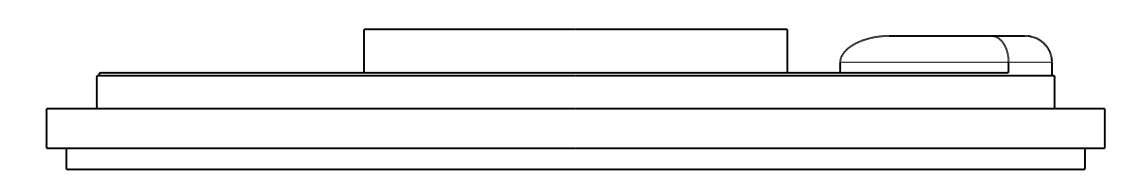
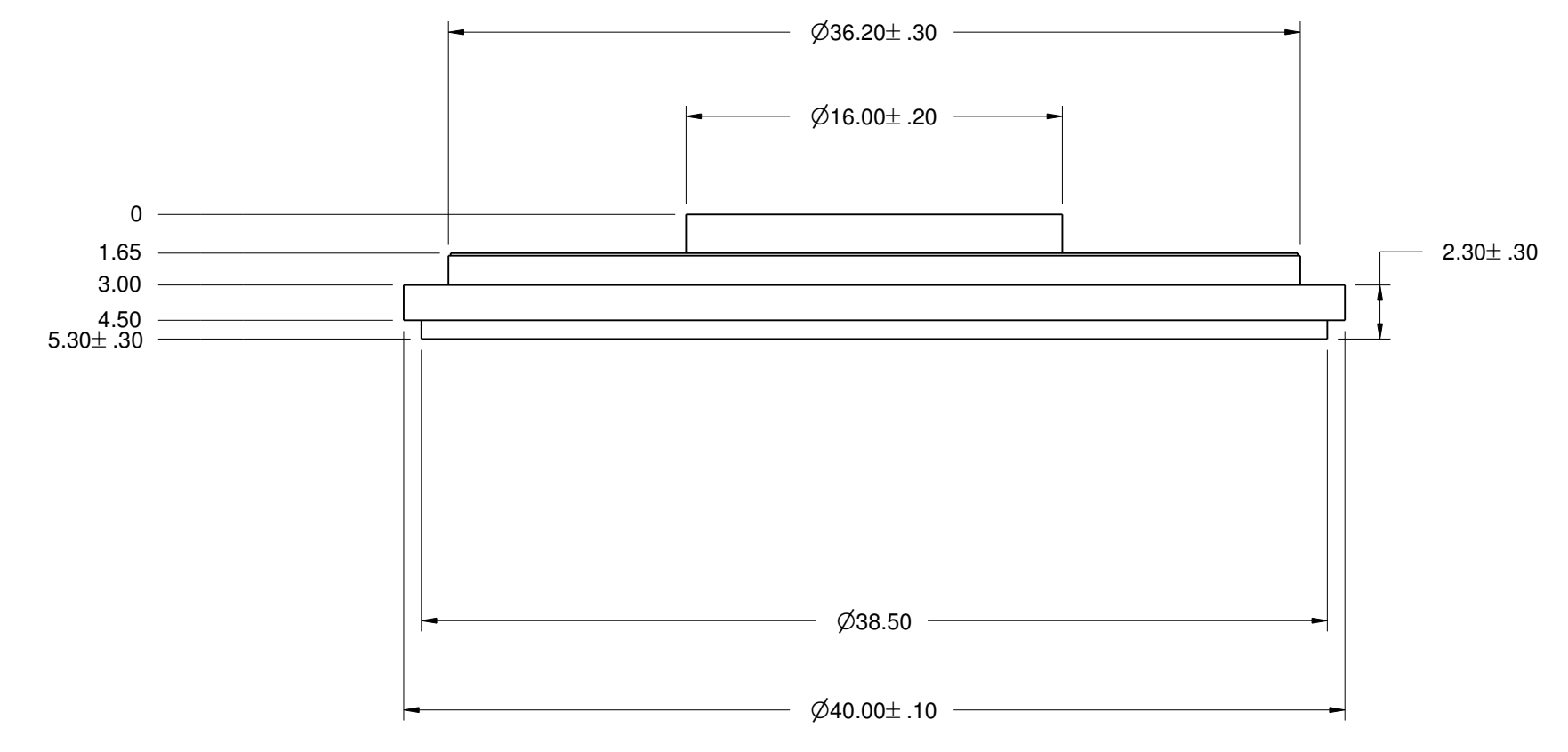
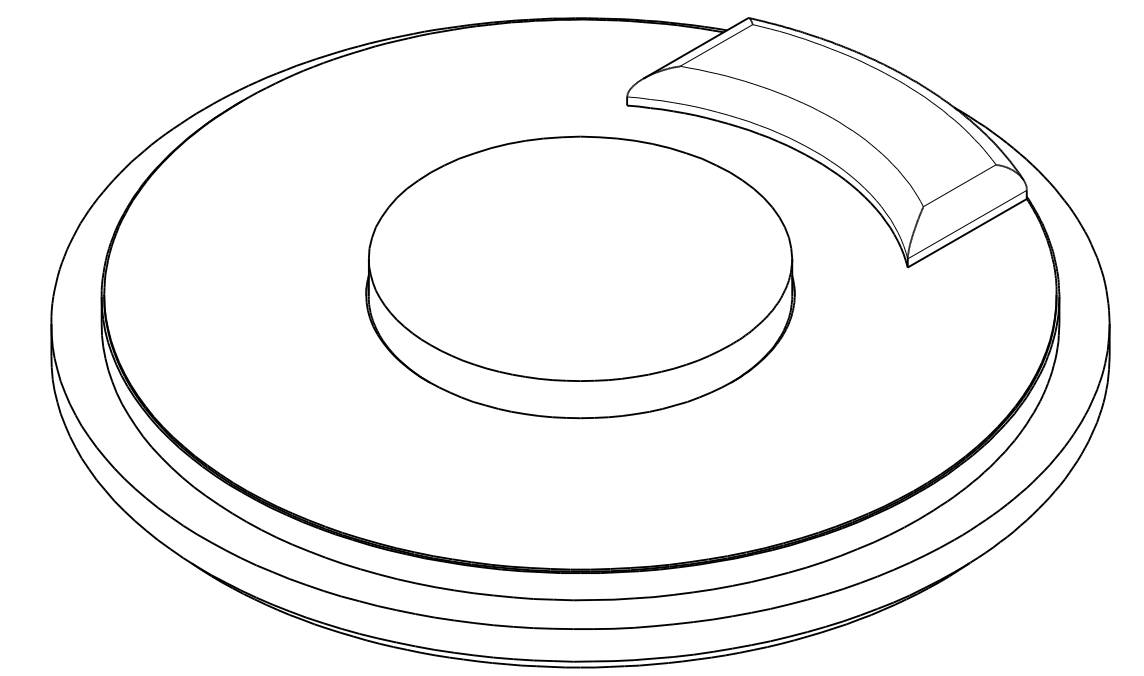
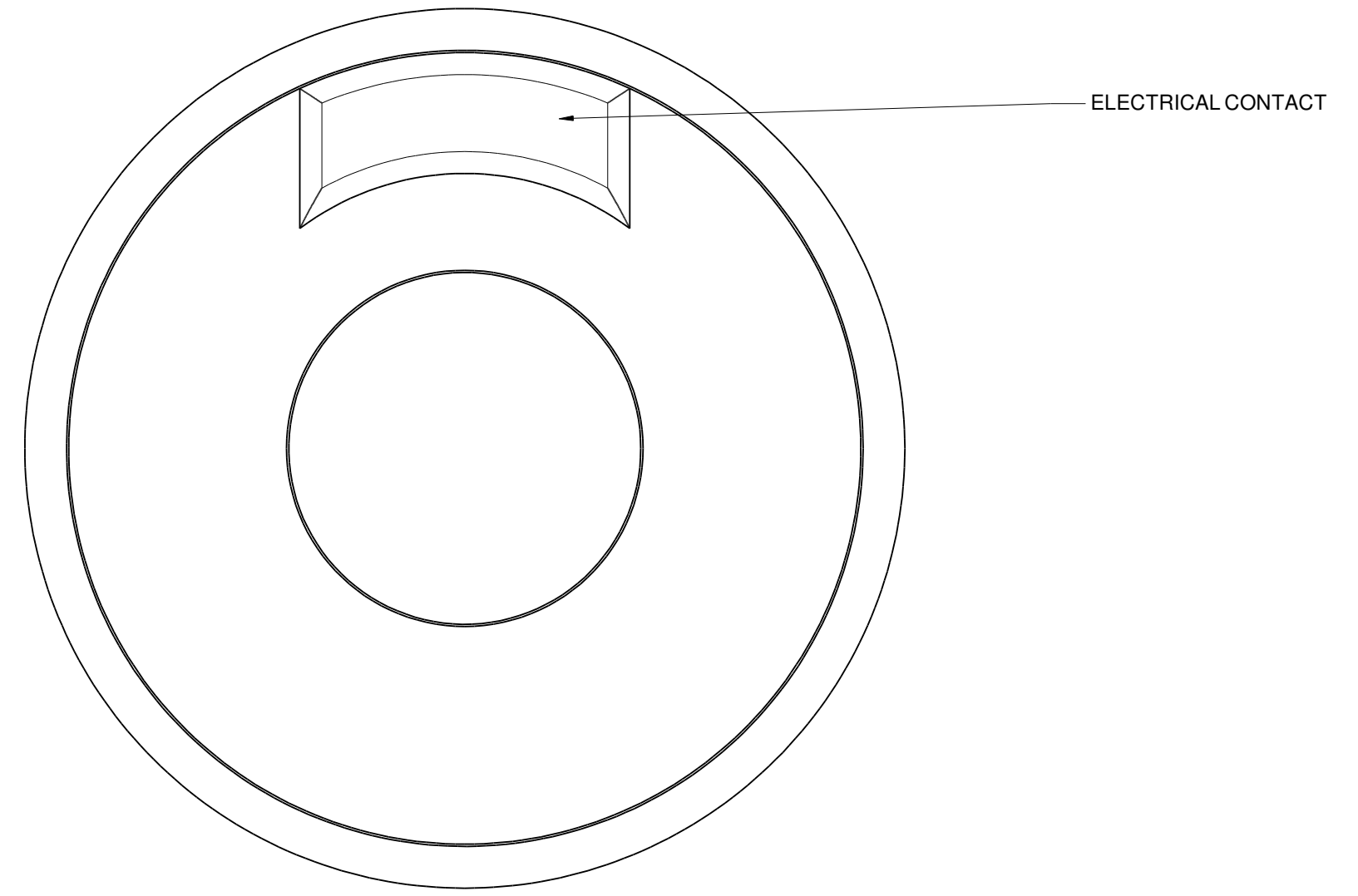


REVISIONS				
ZONE	REV	DESCRIPTION	DATE	APPROVED

No.	Part Name	Material	Quantity
1	Frame	Metal	1
2	Magnet	Nd-Fe-B	1
3	YOKE	Metal	1
4	Diaphragm	PET	1



ALL TOLERANCES +/- .5MM UNLESS NOTED

SIZE	FSCM NO.	DWG NO.	REV
D		SP-4005-3Y	
SCALE	SHEET		1 OF 1
1:1			