

THIS DRAWING IS UNPUBLISHED.

RELEASED FOR PUBLICATION

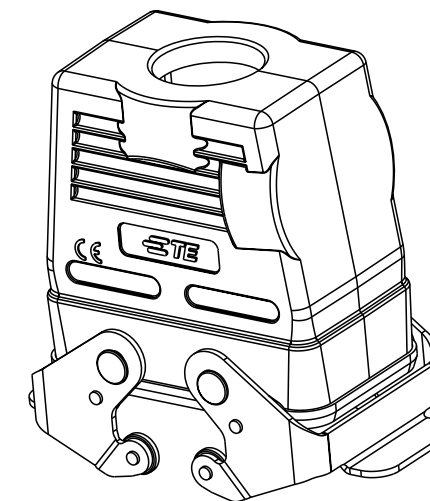
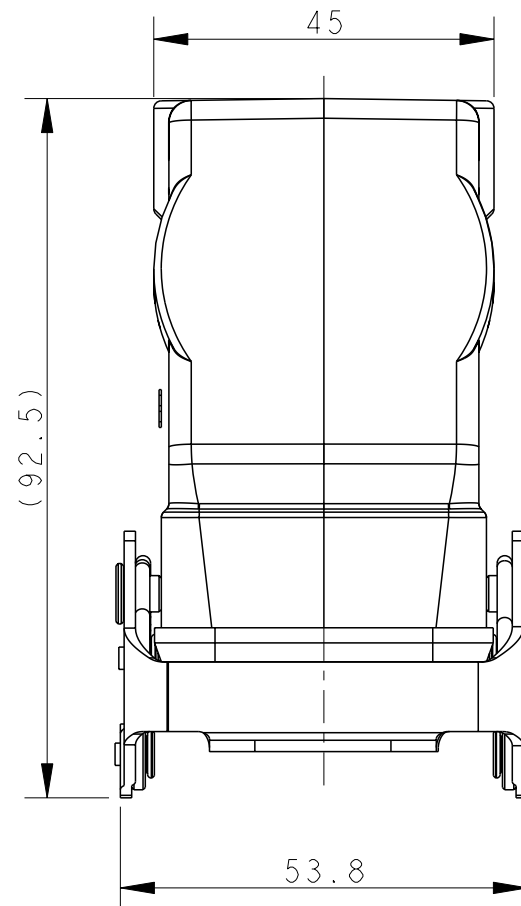
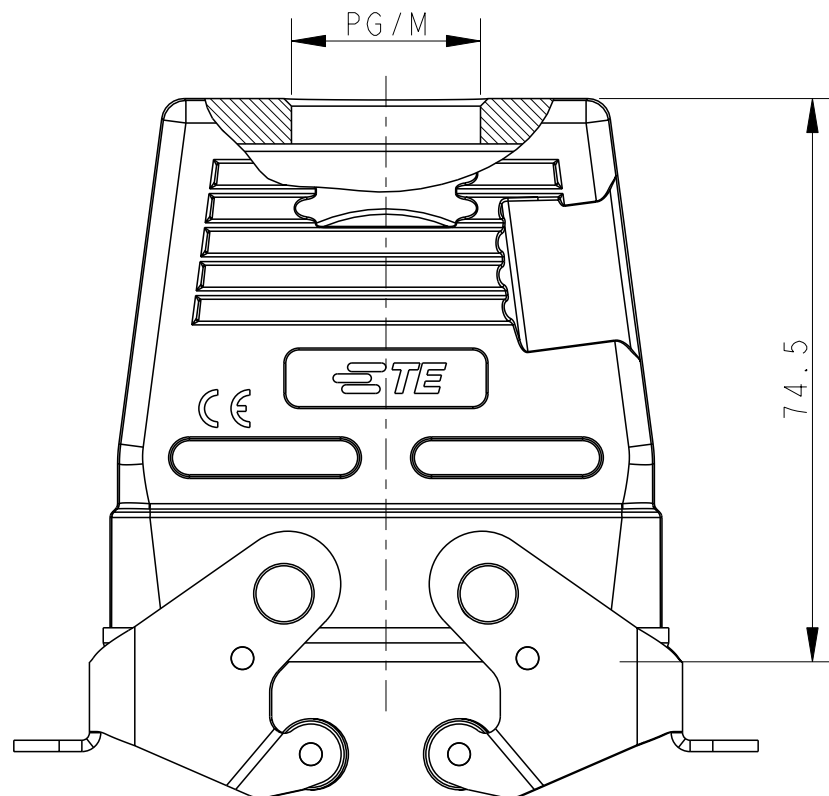
20

© COPYRIGHT 20 BY -

ALL RIGHTS RESERVED.

REVISIONS

P	LTR	DESCRIPTION	DATE	DWN	APVD
	A	INITIAL RELEASE	08JUL2015	DL	CW
	B	ECR-20-008181	28JUL2020	WQR	CW
	BI	ECR-21-103925	07JUN2021	WQR	CW



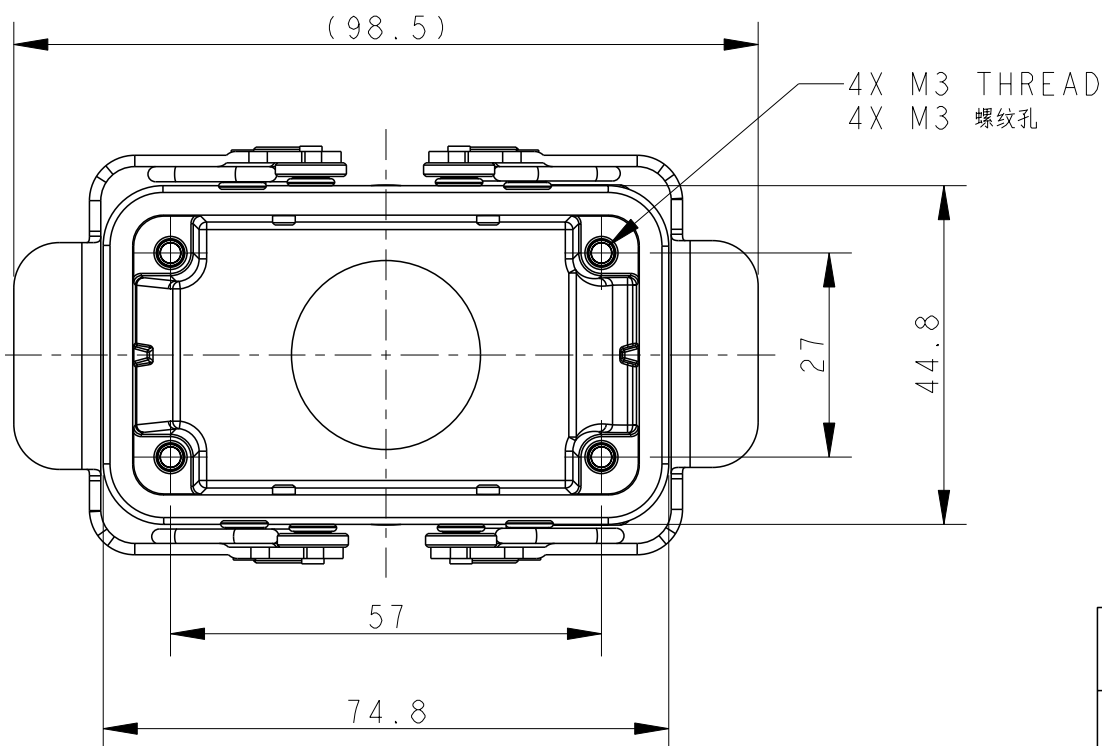
SCALE 3:5

NOTES:


- 1. TECHNICAL CHARACTERISTICS:  
 BODY MATERIAL: DIE CAST ALUMINIUM ALLOY  
 SURFACE TREATMENT: POWDER-COATED, GRAY  
 DEGREE OF PROTECTION: IP65 (MATED)

注释:

- 1. 技术参数:  
 主体材料: 铝合金  
 表面处理: 粉末喷涂, 灰色  
 防护等级: IP65(配合)



T1750101121-000	H10B-TBFHS-PG21	PG21
T1750101125-000	H10B-TBFHS-M25	M25
T1750101129-000	H10B-TBFHS-PG29	PG29
T1750101132-000	H10B-TBFHS-M32	M32
ASSEMBLY PART NUMBER	ASSEMBLY PART DESCRIPTION	PG/M

THIS DRAWING IS A CONTROLLED DOCUMENT.		DWN 08JUL2015 DAVID LI	 TE Connectivity NAME H10B-TBFHS-PG/M		
DIMENSIONS: mm		CHK 08JUL2015 CHRIS WANG			PRODUCT SPEC 108-137013
TOLERANCES UNLESS OTHERWISE SPECIFIED:		APVD 08JUL2015 XU XIANG			APPLICATION SPEC 114-137013
0 PLC ±- 1 PLC ±- 2 PLC ±- 3 PLC ±- 4 PLC ±- ANGLES ±-		PRODUCT SPEC 108-137013			WEIGHT -
MATERIAL TBD		FINISH -		SIZE A3 CAGE CODE - DRAWING NO C-T17501011XX000 RESTRICTED TO CUSTOMER DRAWING SCALE 1:1 SHEET 1 OF 1 REV BI	

printed on 17 Jun 2021 11:02 (China Standard Time) from TE343646