

Product Specification

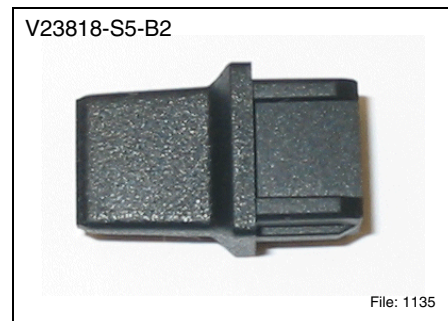
Cage EMI / Dust Plug for Small Form-factor Pluggable (SFP) Applications

V23818-S5-B1

V23818-S5-B2

DESIGN BENEFITS

- SFP MSA compliant¹⁾
- Prevents internal system component contamination
- Maintains system airflow requirements
- Silicon based material for
 - simplified “blind” insertion
 - improved retention in high vibration environments
 - secure fit in all cage designs
 - extended temperature performance
- Improves system EMI performance (V23818-S5-B1)



APPLICATIONS

- For use with Finisar V23838-S5-N1 / -N1-BB SFP cages
- Multi-port switches
- Unclean environments
- Any unused SFP ports

PRODUCT SELECTION

Part Number	Application
V23818-S5-B1	EMI / Dust Plug
V23818-S5-B2	Dust Plug

Notes:

1) Current MSA documentation can be found at <http://www.sffcommittee.org/ie>.

Package Outlines

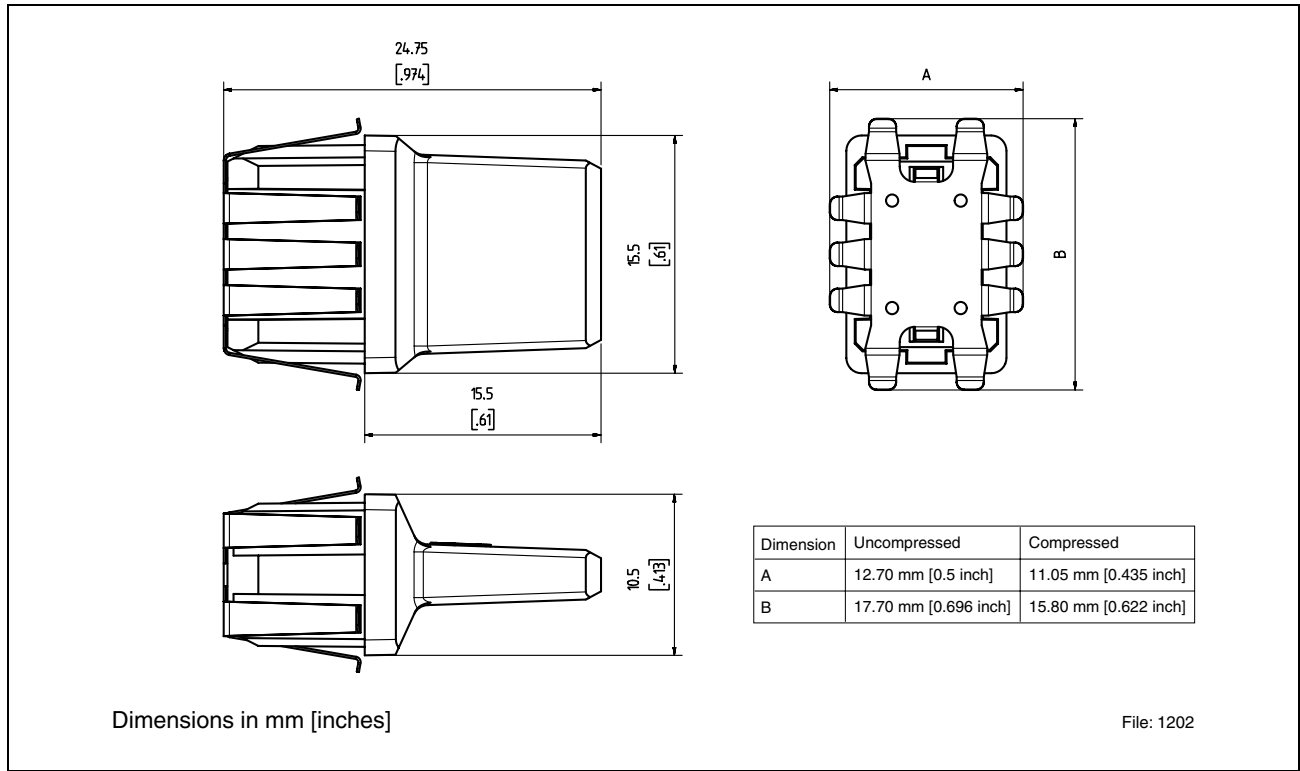


Figure 1 V23818-S5-B1

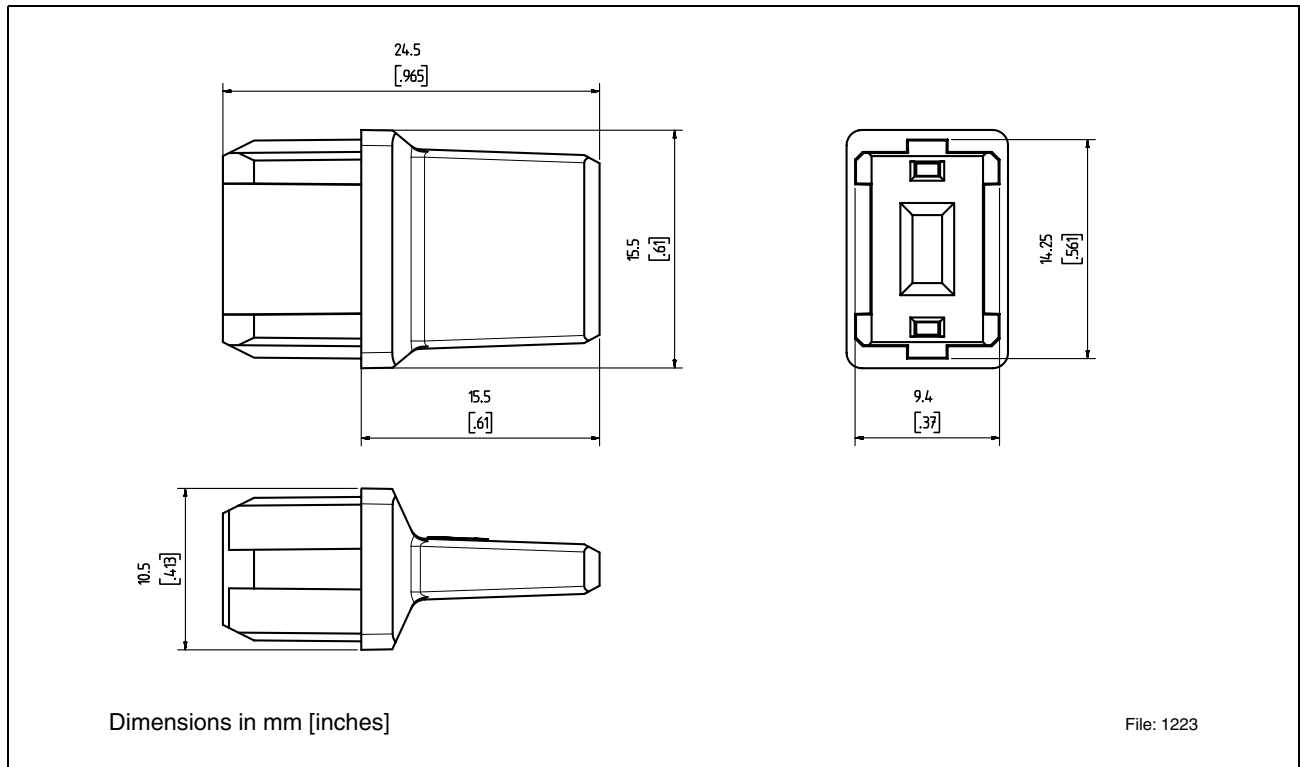


Figure 2 V23818-S5-B2

