

<b>NO:</b> CON - 095	<b>PRODUCT:</b> Multiple Connectors – D-Sub ‘-L’
<b>DATE:</b> June 2021	<b>TYPE:</b> DISCONTINUATION – Streamline Product Offering

## Multiple D-Sub ‘-L’ Connectors - DISCONTINUATION

In an effort to streamline our product offering and focus on popular models of Omron’s line of connectors, OMRON will discontinue multiple D-Sub ‘-L’ connectors in February 2022. The suggested replacement models are listed below. Please carefully read through this notification and note the differences. The following details will fully explain the discontinuation and replacement considerations; should you have any additional questions, however, please communicate with the Connector Product Manager, Patrick Lahey.



### LAST Order date (Last Time Buy Date)

**February 28, 2022**

#### Product Discontinuation

D-Sub Connector

Model **XM2C-L**

Model **XM2E-L**

Model **XM2F-L**

Model **XM3B-L**

Model **XM3C-L**

Model **XM4K**

Model **XM4L**

Model **XM4Z**



#### Suggested Replacement

D-Sub Connector

Model **XM3C**

No suggested replacement

Model **XM3F**

or No suggested replacement

Model **XM3B**

or No suggested replacement

No suggested replacement

No suggested replacement

No suggested replacement

No suggested replacement

### Differences from discontinued product:

Suggested replacement Model	Body Color	Dimensions	Wire connection	Mounting Dimensions	Characteristics
XM3C	**	*	*	*	**
XM3F	*	*	*	*	**
XM3B	**	*	*	*	**

\*\* : Compatible

\* : The change is a little/Almost compatible

-- : Not compatible

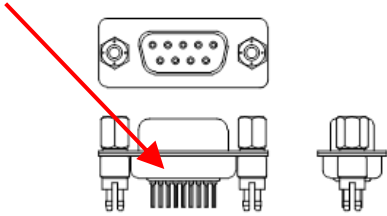
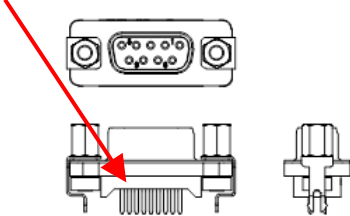
- : No corresponding specification

**Discontinued Model and Suggested Replacements:**

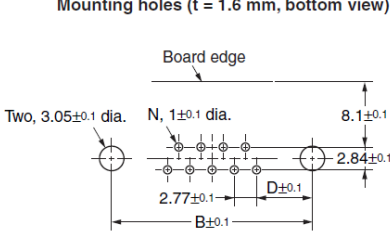
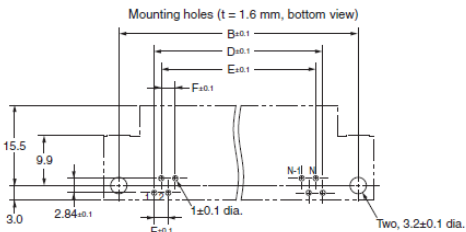
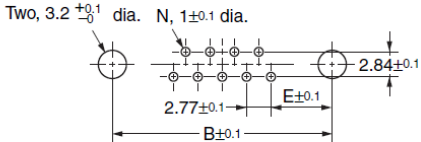
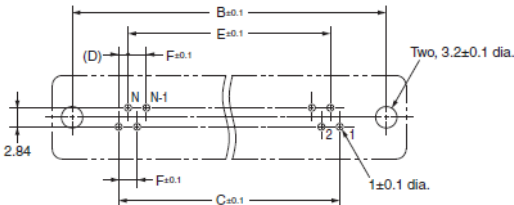
<b>Discontinued Model</b>	<b>Suggested replacement</b>
XM2C-0942-112L	XM3C-0922-112
XM2C-0942-132L	XM3C-0922-132
XM2C-0942-212L	XM3C-0922-212
XM2C-0942-232L	XM3C-0922-232
XM2C-0942-502L	XM3C-0922-502
XM2C-1542-112L	XM3C-1522-112
XM2C-1542-132L	XM3C-1522-132
XM2C-1542-502L	XM3C-1522-502
XM2C-2542-112L	XM3C-2522-112
XM2C-2542-132L	XM3C-2522-132
XM2C-2542-502L	XM3C-2522-502
XM2E-0940-112L	No suggested replacement
XM2E-0940-132L	No suggested replacement
XM2E-0940-502L	No suggested replacement
XM2E-0940-L	No suggested replacement
XM2E-1540-112L	No suggested replacement
XM2E-1540-132L	No suggested replacement
XM2E-1540-502L	No suggested replacement
XM2E-1540-L	No suggested replacement
XM2E-2540-112L	No suggested replacement
XM2E-2540-132L	No suggested replacement
XM2E-2540-502L	No suggested replacement
XM2E-2540-L	No suggested replacement
XM2F-0940-112L	XM3F-0920-112
XM2F-0940-132L	XM3F-0920-132
XM2F-0940-212L	No suggested replacement
XM2F-0940-502L	No suggested replacement
XM2F-0940-L	XM3F-0920
XM2F-1540-112L	XM3F-1520-112
XM2F-1540-132L	XM3F-1520-132
XM2F-1540-212L	No suggested replacement
XM2F-1540-502L	No suggested replacement
XM2F-1540-L	XM3F-1520
XM2F-2540-112L	XM3F-2520-112
XM2F-2540-132L	XM3F-2520-132
XM2F-2540-212L	No suggested replacement
XM2F-2540-232L	No suggested replacement
XM2F-2540-502L	No suggested replacement
XM2F-2540-L	XM3F-2520
XM3B-0942-112L	XM3B-0922-112
XM3B-0942-112LS	No suggested replacement
XM3B-0942-132L	XM3B-0922-132
XM3B-0942-132LS	No suggested replacement

<b>Discontinued Model</b>	<b>Suggested replacement</b>
XM3B-0942-212L	XM3B-0922-212
XM3B-0942-232L	XM3B-0922-232 *Scheduled to be available in September, 2021
XM3B-0942-502L	XM3B-0922-502
XM3B-1542-112L	XM3B-1522-112
XM3B-1542-132L	XM3B-1522-132
XM3B-1542-232L	No suggested replacement
XM3B-1542-502L	XM3B-1522-502
XM3B-2542-112L	XM3B-2522-112
XM3B-2542-132L	XM3B-2522-132
XM3B-2542-212L	XM3B-2522-212
XM3B-2542-502L	XM3B-2522-502
XM3C-0942-112LS	No suggested replacement
XM3C-0942-132LS	No suggested replacement
XM4K-1542-112	No suggested replacement
XM4K-1542-132	No suggested replacement
XM4K-1542-502	No suggested replacement
XM4L-1541-112	No suggested replacement
XM4L-1541-132	No suggested replacement
XM4L-1541-502	No suggested replacement
XM4L-1542-112	No suggested replacement
XM4L-1542-132	No suggested replacement
XM4L-1542-212	No suggested replacement
XM4L-1542-232	No suggested replacement
XM4L-1542-502	No suggested replacement
XM4Z-0011	No suggested replacement
XM4Z-0012	No suggested replacement
XM4Z-0013	No suggested replacement
XM4Z-0021	No suggested replacement
XM4Z-0022	No suggested replacement
XM4Z-0023	No suggested replacement
XM4Z-1011	No suggested replacement
XM4Z-1012	No suggested replacement
XM4Z-1013	No suggested replacement
XM4Z-1021	No suggested replacement
XM4Z-1022	No suggested replacement
XM4Z-1023	No suggested replacement

**Body Color:**

Discontinued Model XM2F-L	Suggested replacement XM3F
<p><b>Terminal section</b> Color: Silver (Shell)</p> 	<p><b>Terminal section</b> Color: Black (Housing)</p> 

**Connection Dimensions:**

Discontinued Models XM2C-L, Model XM2F-L, Model XM3B-L	Suggested replacement Models XM3C, Model XM3F, Model XM3B																																																																					
<p><b>Recommended PWB hole pattern</b> XM2C-L</p> <p>Mounting holes (t = 1.6 mm, bottom view)</p>  <p><b>Dimensions</b></p> <table border="1" data-bbox="245 1094 639 1270"> <thead> <tr> <th>No. of contacts (N)</th> <th>A</th> <th>B</th> <th>C</th> <th>D</th> </tr> </thead> <tbody> <tr> <td>9</td> <td>30.8</td> <td>24.99</td> <td>16.92</td> <td>6.96</td> </tr> <tr> <td>15</td> <td>39.1</td> <td>33.32</td> <td>25.25</td> <td>6.96</td> </tr> <tr> <td>25</td> <td>53.0</td> <td>47.04</td> <td>38.96</td> <td>6.91</td> </tr> </tbody> </table>	No. of contacts (N)	A	B	C	D	9	30.8	24.99	16.92	6.96	15	39.1	33.32	25.25	6.96	25	53.0	47.04	38.96	6.91	<p><b>Recommended PWB hole pattern</b> XM3C</p> <p>Mounting holes (t = 1.6 mm, bottom view)</p>  <p><b>Dimensions</b></p> <table border="1" data-bbox="850 1115 1409 1270"> <thead> <tr> <th>No. of contacts</th> <th>A</th> <th>B</th> <th>C</th> <th>D</th> <th>E</th> <th>F</th> <th>G</th> </tr> </thead> <tbody> <tr> <td>9</td> <td>30.8</td> <td>24.99</td> <td>16.91</td> <td>10.96</td> <td>8.22</td> <td>2.74</td> <td>1.37</td> </tr> <tr> <td>15</td> <td>39.1</td> <td>33.32</td> <td>25.25</td> <td>19.18</td> <td>16.44</td> <td>2.74</td> <td>1.37</td> </tr> <tr> <td>25</td> <td>53.0</td> <td>47.04</td> <td>38.96</td> <td>33.12</td> <td>30.36</td> <td>2.76</td> <td>1.38</td> </tr> <tr> <td>37</td> <td>69.3</td> <td>63.50</td> <td>55.42</td> <td>49.68</td> <td>46.92</td> <td>2.76</td> <td>1.38</td> </tr> </tbody> </table>	No. of contacts	A	B	C	D	E	F	G	9	30.8	24.99	16.91	10.96	8.22	2.74	1.37	15	39.1	33.32	25.25	19.18	16.44	2.74	1.37	25	53.0	47.04	38.96	33.12	30.36	2.76	1.38	37	69.3	63.50	55.42	49.68	46.92	2.76	1.38									
No. of contacts (N)	A	B	C	D																																																																		
9	30.8	24.99	16.92	6.96																																																																		
15	39.1	33.32	25.25	6.96																																																																		
25	53.0	47.04	38.96	6.91																																																																		
No. of contacts	A	B	C	D	E	F	G																																																															
9	30.8	24.99	16.91	10.96	8.22	2.74	1.37																																																															
15	39.1	33.32	25.25	19.18	16.44	2.74	1.37																																																															
25	53.0	47.04	38.96	33.12	30.36	2.76	1.38																																																															
37	69.3	63.50	55.42	49.68	46.92	2.76	1.38																																																															
<p><b>XM2F-L</b></p> <p>Mounting holes (t = 1.6 mm, bottom view)</p>  <p><b>Dimensions</b></p> <table border="1" data-bbox="196 1619 695 1808"> <thead> <tr> <th>No. of contacts (N)</th> <th>A</th> <th>B</th> <th>C</th> <th>D</th> <th>E</th> </tr> </thead> <tbody> <tr> <td>9</td> <td>30.8</td> <td>24.99</td> <td>16.33</td> <td>19.23</td> <td>6.96</td> </tr> <tr> <td>15</td> <td>39.1</td> <td>33.32</td> <td>24.66</td> <td>27.56</td> <td>6.96</td> </tr> <tr> <td>25</td> <td>53.0</td> <td>47.04</td> <td>38.38</td> <td>41.28</td> <td>6.91</td> </tr> </tbody> </table>	No. of contacts (N)	A	B	C	D	E	9	30.8	24.99	16.33	19.23	6.96	15	39.1	33.32	24.66	27.56	6.96	25	53.0	47.04	38.38	41.28	6.91	<p><b>XM3F</b></p> <p>Mounting holes (t = 1.6 mm, bottom view)</p>  <p><b>Dimensions</b></p> <table border="1" data-bbox="850 1661 1430 1829"> <thead> <tr> <th>No. of contacts</th> <th>A</th> <th>B</th> <th>C</th> <th>D</th> <th>E</th> <th>F</th> <th>G</th> <th>H</th> </tr> </thead> <tbody> <tr> <td>9</td> <td>30.7</td> <td>24.99</td> <td>10.98</td> <td>1.37</td> <td>8.22</td> <td>2.74</td> <td>19.00</td> <td>16.33</td> </tr> <tr> <td>15</td> <td>39.0</td> <td>33.32</td> <td>19.20</td> <td>1.37</td> <td>16.44</td> <td>2.74</td> <td>27.12</td> <td>24.66</td> </tr> <tr> <td>25</td> <td>52.9</td> <td>47.04</td> <td>33.12</td> <td>1.38</td> <td>30.36</td> <td>2.76</td> <td>41.04</td> <td>38.38</td> </tr> <tr> <td>37</td> <td>69.2</td> <td>63.50</td> <td>49.68</td> <td>1.38</td> <td>46.92</td> <td>2.76</td> <td>57.60</td> <td>54.84</td> </tr> </tbody> </table>	No. of contacts	A	B	C	D	E	F	G	H	9	30.7	24.99	10.98	1.37	8.22	2.74	19.00	16.33	15	39.0	33.32	19.20	1.37	16.44	2.74	27.12	24.66	25	52.9	47.04	33.12	1.38	30.36	2.76	41.04	38.38	37	69.2	63.50	49.68	1.38	46.92	2.76	57.60	54.84
No. of contacts (N)	A	B	C	D	E																																																																	
9	30.8	24.99	16.33	19.23	6.96																																																																	
15	39.1	33.32	24.66	27.56	6.96																																																																	
25	53.0	47.04	38.38	41.28	6.91																																																																	
No. of contacts	A	B	C	D	E	F	G	H																																																														
9	30.7	24.99	10.98	1.37	8.22	2.74	19.00	16.33																																																														
15	39.0	33.32	19.20	1.37	16.44	2.74	27.12	24.66																																																														
25	52.9	47.04	33.12	1.38	30.36	2.76	41.04	38.38																																																														
37	69.2	63.50	49.68	1.38	46.92	2.76	57.60	54.84																																																														

**Connection Dimensions continued:**

Discontinued Models XM2C-L, Model XM2F-L, Model XM3B-L	Suggested replacement Models XM3C, Model XM3F, Model XM3B																																																													
<p><b>Recommended PWB hole pattern XM3B-L</b></p> <p>Mounting holes (t = 1.6 mm, bottom view)</p> <p><b>Dimensions</b></p> <table border="1"> <thead> <tr> <th>No. of contacts (N)</th> <th>A</th> <th>B</th> <th>C</th> <th>D</th> </tr> </thead> <tbody> <tr> <td>9</td> <td>30.8</td> <td>24.99</td> <td>16.33</td> <td>6.96</td> </tr> <tr> <td>15</td> <td>39.1</td> <td>33.32</td> <td>24.66</td> <td>6.96</td> </tr> <tr> <td>25</td> <td>53.0</td> <td>47.04</td> <td>38.38</td> <td>6.91</td> </tr> </tbody> </table>	No. of contacts (N)	A	B	C	D	9	30.8	24.99	16.33	6.96	15	39.1	33.32	24.66	6.96	25	53.0	47.04	38.38	6.91	<p><b>Recommended PWB hole pattern XM3B</b></p> <p>Mounting holes (t = 1.6 mm, bottom view)</p> <p><b>Dimensions</b></p> <table border="1"> <thead> <tr> <th rowspan="2">No. of contacts</th> <th colspan="6">Dimensions (mm)</th> </tr> <tr> <th>A</th> <th>B</th> <th>C</th> <th>D</th> <th>E</th> <th>F</th> </tr> </thead> <tbody> <tr> <td>9</td> <td>30.8</td> <td>24.99</td> <td>16.30</td> <td>10.96</td> <td>8.22</td> <td>2.74</td> </tr> <tr> <td>15</td> <td>39.1</td> <td>33.32</td> <td>24.65</td> <td>19.18</td> <td>16.44</td> <td>2.74</td> </tr> <tr> <td>25</td> <td>53.0</td> <td>47.04</td> <td>38.35</td> <td>33.12</td> <td>30.36</td> <td>2.76</td> </tr> <tr> <td>37</td> <td>69.3</td> <td>63.50</td> <td>54.80</td> <td>49.68</td> <td>46.92</td> <td>2.76</td> </tr> </tbody> </table>	No. of contacts	Dimensions (mm)						A	B	C	D	E	F	9	30.8	24.99	16.30	10.96	8.22	2.74	15	39.1	33.32	24.65	19.18	16.44	2.74	25	53.0	47.04	38.35	33.12	30.36	2.76	37	69.3	63.50	54.80	49.68	46.92	2.76
No. of contacts (N)	A	B	C	D																																																										
9	30.8	24.99	16.33	6.96																																																										
15	39.1	33.32	24.66	6.96																																																										
25	53.0	47.04	38.38	6.91																																																										
No. of contacts	Dimensions (mm)																																																													
	A	B	C	D	E	F																																																								
9	30.8	24.99	16.30	10.96	8.22	2.74																																																								
15	39.1	33.32	24.65	19.18	16.44	2.74																																																								
25	53.0	47.04	38.35	33.12	30.36	2.76																																																								
37	69.3	63.50	54.80	49.68	46.92	2.76																																																								

**Mounting Dimensions:**

Discontinued Models XM2C-L, Model XM2F-L, Model XM3B-L	Suggested replacement Models XM3C, Model XM3F, Model XM3B
<p><b>Anchor mounting screw size (XM2C-502L, XM3B-502L)</b> #4-40 UNC (Inch screw)</p> <p>The figure is representative.</p> <p><b>Applicable Panel thickness</b> 1.2mm or less (Panel processing dimensions are the same.)</p>	<p><b>Anchor mounting screw size (XM3C-502, XM3B-502)</b> M3 × 0.5 (Millimeter screw)</p> <p>The figure is representative.</p> <p><b>Applicable Panel thickness</b> 1.3mm or less (Panel processing dimensions are the same.)</p>

**Dimensions:**

Discontinued Models XM2C-L, Model XM2F-L, Model XM3B-L	Suggested replacement Models XM3C, Model XM3F, Model XM3B																																																																					
<p style="text-align: center;"><b>XM2C-L</b></p> <p style="text-align: center;"><b>Dimensions</b></p> <table border="1" style="margin-left: auto; margin-right: auto;"> <thead> <tr> <th>No. of contacts (N)</th> <th>A</th> <th>B</th> <th>C</th> <th>D</th> </tr> </thead> <tbody> <tr> <td>9</td> <td>30.8</td> <td>24.99</td> <td>16.92</td> <td>6.96</td> </tr> <tr> <td>15</td> <td>39.1</td> <td>33.32</td> <td>25.25</td> <td>6.96</td> </tr> <tr> <td>25</td> <td>53.0</td> <td>47.04</td> <td>38.96</td> <td>6.91</td> </tr> </tbody> </table>	No. of contacts (N)	A	B	C	D	9	30.8	24.99	16.92	6.96	15	39.1	33.32	25.25	6.96	25	53.0	47.04	38.96	6.91	<p style="text-align: center;"><b>XM3C</b></p> <p style="text-align: center;"><b>Dimensions</b></p> <table border="1" style="margin-left: auto; margin-right: auto;"> <thead> <tr> <th>No. of contacts</th> <th>A</th> <th>B</th> <th>C</th> <th>D</th> <th>E</th> <th>F</th> <th>G</th> </tr> </thead> <tbody> <tr> <td>9</td> <td>30.8</td> <td>24.99</td> <td>16.91</td> <td>10.96</td> <td>8.22</td> <td>2.74</td> <td>1.37</td> </tr> <tr> <td>15</td> <td>39.1</td> <td>33.32</td> <td>25.25</td> <td>19.18</td> <td>16.44</td> <td>2.74</td> <td>1.37</td> </tr> <tr> <td>25</td> <td>53.0</td> <td>47.04</td> <td>38.96</td> <td>33.12</td> <td>30.36</td> <td>2.76</td> <td>1.38</td> </tr> <tr> <td>37</td> <td>69.3</td> <td>63.50</td> <td>55.42</td> <td>49.68</td> <td>46.92</td> <td>2.76</td> <td>1.38</td> </tr> </tbody> </table>	No. of contacts	A	B	C	D	E	F	G	9	30.8	24.99	16.91	10.96	8.22	2.74	1.37	15	39.1	33.32	25.25	19.18	16.44	2.74	1.37	25	53.0	47.04	38.96	33.12	30.36	2.76	1.38	37	69.3	63.50	55.42	49.68	46.92	2.76	1.38									
No. of contacts (N)	A	B	C	D																																																																		
9	30.8	24.99	16.92	6.96																																																																		
15	39.1	33.32	25.25	6.96																																																																		
25	53.0	47.04	38.96	6.91																																																																		
No. of contacts	A	B	C	D	E	F	G																																																															
9	30.8	24.99	16.91	10.96	8.22	2.74	1.37																																																															
15	39.1	33.32	25.25	19.18	16.44	2.74	1.37																																																															
25	53.0	47.04	38.96	33.12	30.36	2.76	1.38																																																															
37	69.3	63.50	55.42	49.68	46.92	2.76	1.38																																																															
<p style="text-align: center;"><b>XM2F-L</b></p> <p style="text-align: center;"><b>Dimensions</b></p> <table border="1" style="margin-left: auto; margin-right: auto;"> <thead> <tr> <th>No. of contacts (N)</th> <th>A</th> <th>B</th> <th>C</th> <th>D</th> <th>E</th> </tr> </thead> <tbody> <tr> <td>9</td> <td>30.8</td> <td>24.99</td> <td>16.33</td> <td>19.23</td> <td>6.96</td> </tr> <tr> <td>15</td> <td>39.1</td> <td>33.32</td> <td>24.66</td> <td>27.56</td> <td>6.96</td> </tr> <tr> <td>25</td> <td>53.0</td> <td>47.04</td> <td>38.38</td> <td>41.28</td> <td>6.91</td> </tr> </tbody> </table>	No. of contacts (N)	A	B	C	D	E	9	30.8	24.99	16.33	19.23	6.96	15	39.1	33.32	24.66	27.56	6.96	25	53.0	47.04	38.38	41.28	6.91	<p style="text-align: center;"><b>XM3F</b></p> <p style="text-align: center;"><b>Dimensions</b></p> <table border="1" style="margin-left: auto; margin-right: auto;"> <thead> <tr> <th>No. of contacts</th> <th>A</th> <th>B</th> <th>C</th> <th>D</th> <th>E</th> <th>F</th> <th>G</th> <th>H</th> </tr> </thead> <tbody> <tr> <td>9</td> <td>30.7</td> <td>24.99</td> <td>10.98</td> <td>1.37</td> <td>8.22</td> <td>2.74</td> <td>19.00</td> <td>16.33</td> </tr> <tr> <td>15</td> <td>39.0</td> <td>33.32</td> <td>19.20</td> <td>1.37</td> <td>16.44</td> <td>2.74</td> <td>27.12</td> <td>24.66</td> </tr> <tr> <td>25</td> <td>52.9</td> <td>47.04</td> <td>33.12</td> <td>1.38</td> <td>30.36</td> <td>2.76</td> <td>41.04</td> <td>38.38</td> </tr> <tr> <td>37</td> <td>69.2</td> <td>63.50</td> <td>49.68</td> <td>1.38</td> <td>46.92</td> <td>2.76</td> <td>57.60</td> <td>54.84</td> </tr> </tbody> </table>	No. of contacts	A	B	C	D	E	F	G	H	9	30.7	24.99	10.98	1.37	8.22	2.74	19.00	16.33	15	39.0	33.32	19.20	1.37	16.44	2.74	27.12	24.66	25	52.9	47.04	33.12	1.38	30.36	2.76	41.04	38.38	37	69.2	63.50	49.68	1.38	46.92	2.76	57.60	54.84
No. of contacts (N)	A	B	C	D	E																																																																	
9	30.8	24.99	16.33	19.23	6.96																																																																	
15	39.1	33.32	24.66	27.56	6.96																																																																	
25	53.0	47.04	38.38	41.28	6.91																																																																	
No. of contacts	A	B	C	D	E	F	G	H																																																														
9	30.7	24.99	10.98	1.37	8.22	2.74	19.00	16.33																																																														
15	39.0	33.32	19.20	1.37	16.44	2.74	27.12	24.66																																																														
25	52.9	47.04	33.12	1.38	30.36	2.76	41.04	38.38																																																														
37	69.2	63.50	49.68	1.38	46.92	2.76	57.60	54.84																																																														

**Dimensions continued:**

Discontinued Models XM2C-L, Model XM2F-L, Model XM3B-L	Suggested replacement Models XM3C, Model XM3F, Model XM3B																																																													
<p><b>XM3B-L</b></p> <p><b>Dimensions</b></p> <table border="1"> <thead> <tr> <th>No. of contacts (N)</th> <th>A</th> <th>B</th> <th>C</th> <th>D</th> </tr> </thead> <tbody> <tr> <td>9</td> <td>30.8</td> <td>24.99</td> <td>16.33</td> <td>6.96</td> </tr> <tr> <td>15</td> <td>39.1</td> <td>33.32</td> <td>24.66</td> <td>6.96</td> </tr> <tr> <td>25</td> <td>53.0</td> <td>47.04</td> <td>38.38</td> <td>6.91</td> </tr> </tbody> </table>	No. of contacts (N)	A	B	C	D	9	30.8	24.99	16.33	6.96	15	39.1	33.32	24.66	6.96	25	53.0	47.04	38.38	6.91	<p><b>XM3B</b></p> <p><b>Dimensions</b></p> <table border="1"> <thead> <tr> <th rowspan="2">No. of contacts</th> <th colspan="6">Dimensions (mm)</th> </tr> <tr> <th>A</th> <th>B</th> <th>C</th> <th>D</th> <th>E</th> <th>F</th> </tr> </thead> <tbody> <tr> <td>9</td> <td>30.8</td> <td>24.99</td> <td>16.30</td> <td>10.96</td> <td>8.22</td> <td>2.74</td> </tr> <tr> <td>15</td> <td>39.1</td> <td>33.32</td> <td>24.65</td> <td>19.18</td> <td>16.44</td> <td>2.74</td> </tr> <tr> <td>25</td> <td>53.0</td> <td>47.04</td> <td>38.35</td> <td>33.12</td> <td>30.36</td> <td>2.76</td> </tr> <tr> <td>37</td> <td>69.3</td> <td>63.50</td> <td>54.80</td> <td>49.68</td> <td>46.92</td> <td>2.76</td> </tr> </tbody> </table>	No. of contacts	Dimensions (mm)						A	B	C	D	E	F	9	30.8	24.99	16.30	10.96	8.22	2.74	15	39.1	33.32	24.65	19.18	16.44	2.74	25	53.0	47.04	38.35	33.12	30.36	2.76	37	69.3	63.50	54.80	49.68	46.92	2.76
No. of contacts (N)	A	B	C	D																																																										
9	30.8	24.99	16.33	6.96																																																										
15	39.1	33.32	24.66	6.96																																																										
25	53.0	47.04	38.38	6.91																																																										
No. of contacts	Dimensions (mm)																																																													
	A	B	C	D	E	F																																																								
9	30.8	24.99	16.30	10.96	8.22	2.74																																																								
15	39.1	33.32	24.65	19.18	16.44	2.74																																																								
25	53.0	47.04	38.35	33.12	30.36	2.76																																																								
37	69.3	63.50	54.80	49.68	46.92	2.76																																																								

**Characteristics:**

Item	Discontinued Models XM2C-L, MODEL XM2F-L, XM3B-L	Suggested replacement Models XM3C, XM3F, XM3B
<b>Rated current</b>	3A	5A
<b>Contact resistance</b>	20m Ω or less	15m Ω or less
<b>Durability</b>	100 times	200 times
<b>Operating temperature</b>	-25 to +105°C(Without moisture condensation and freezing)	-25 to +105°C(Without moisture condensation and freezing)

\* Sales teams should communicate this discontinuation with their OEM's and CEM's.  
For further technical support and any questions, please communicate with Product Marketing.

Specifications in this product news are as of the issue date and are subject to change without notice.  
Only main changes in specifications are described in this document. Please be sure to read the relevant catalogs, datasheets, product specifications, instructions, and manuals for precautions and necessary information when using products.  
This PCN is intended for use in the Americas  
Last time buy dates are subject to change based on availability