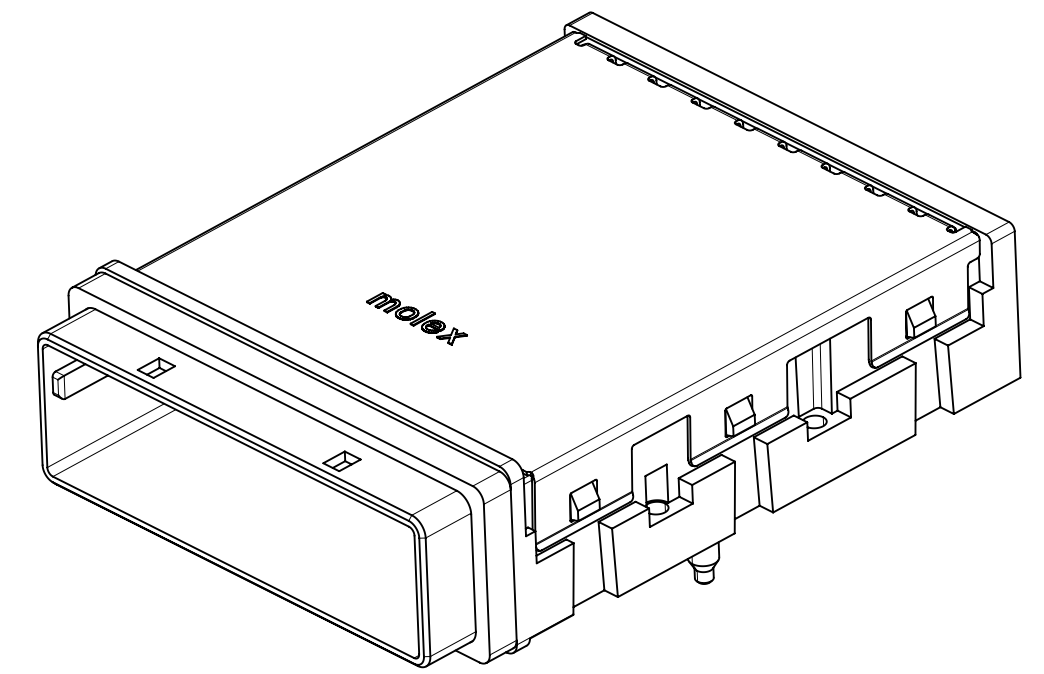
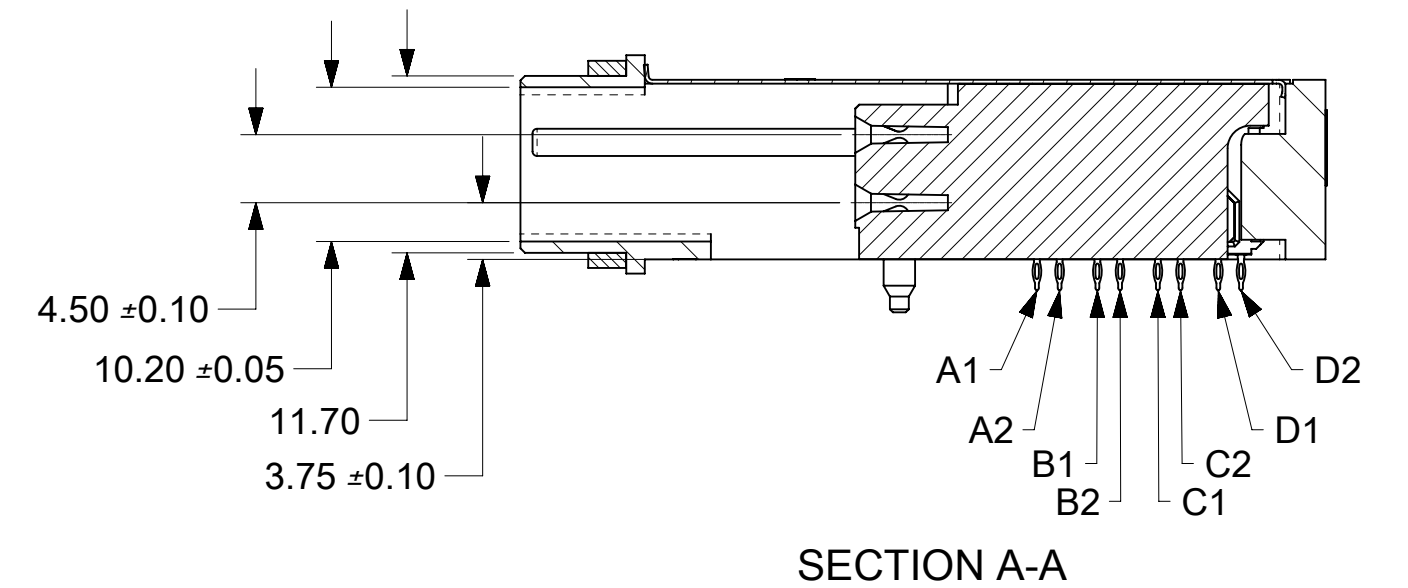
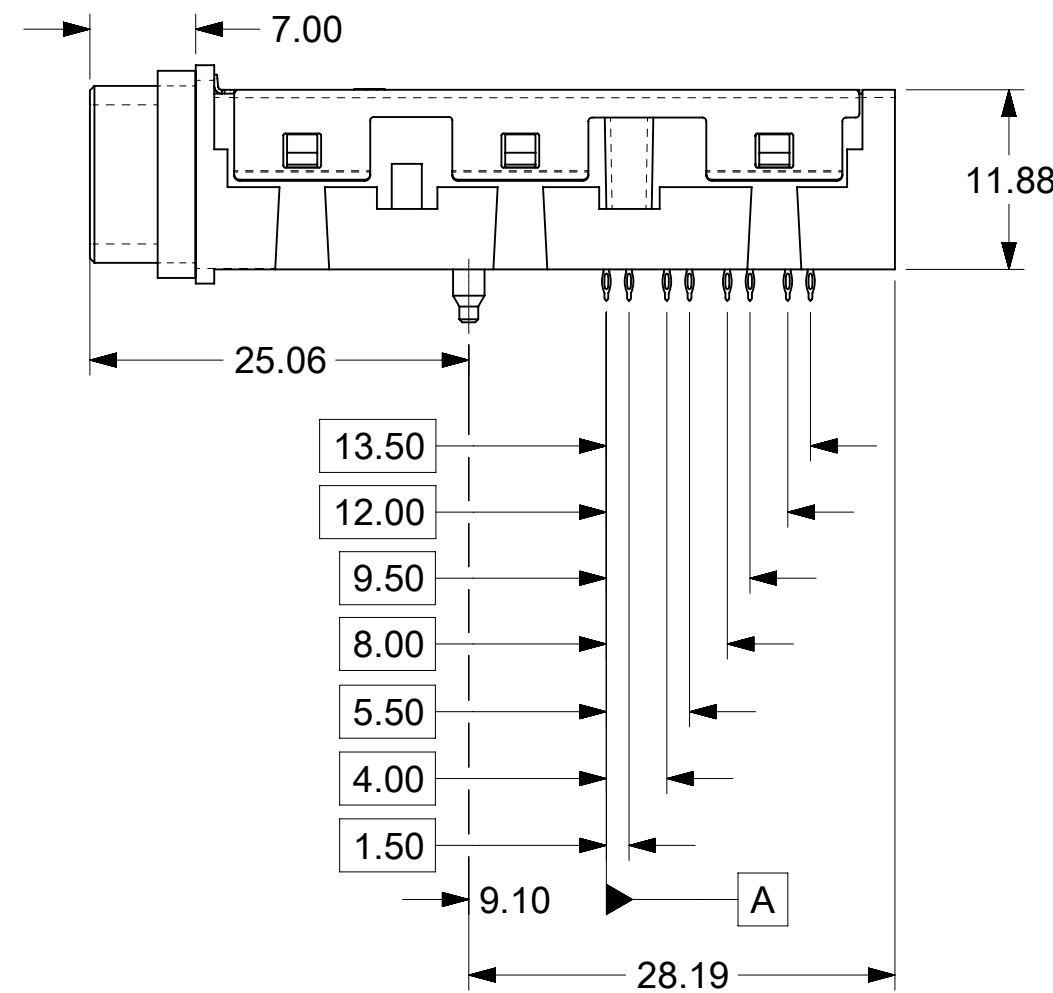
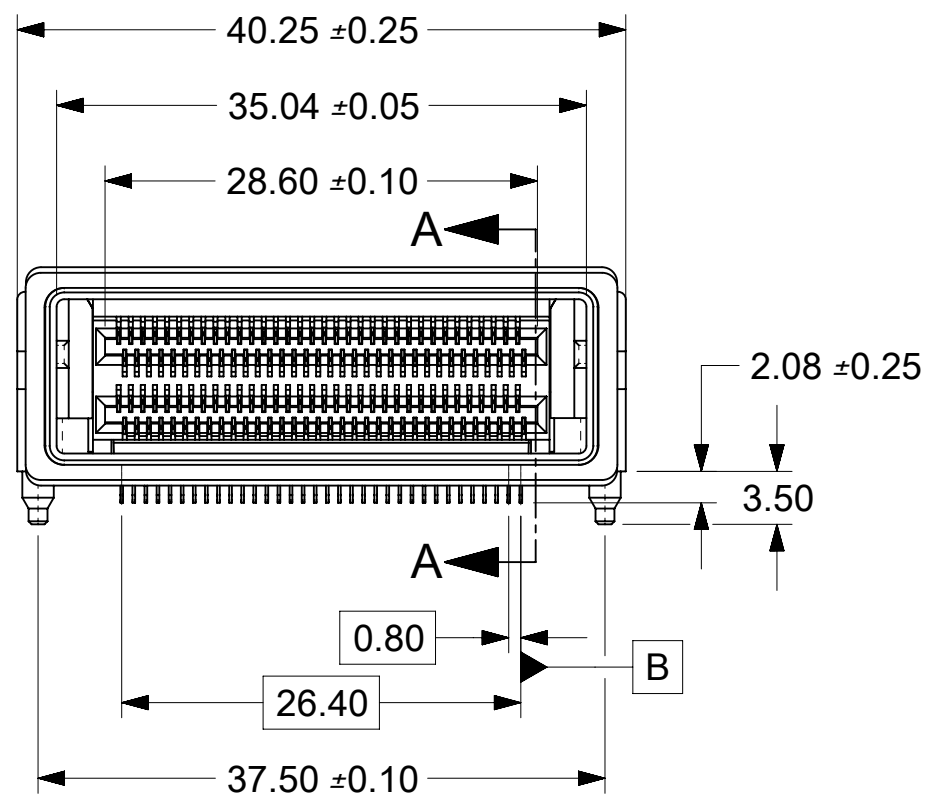


NO COVER OPTION



COVER OPTION

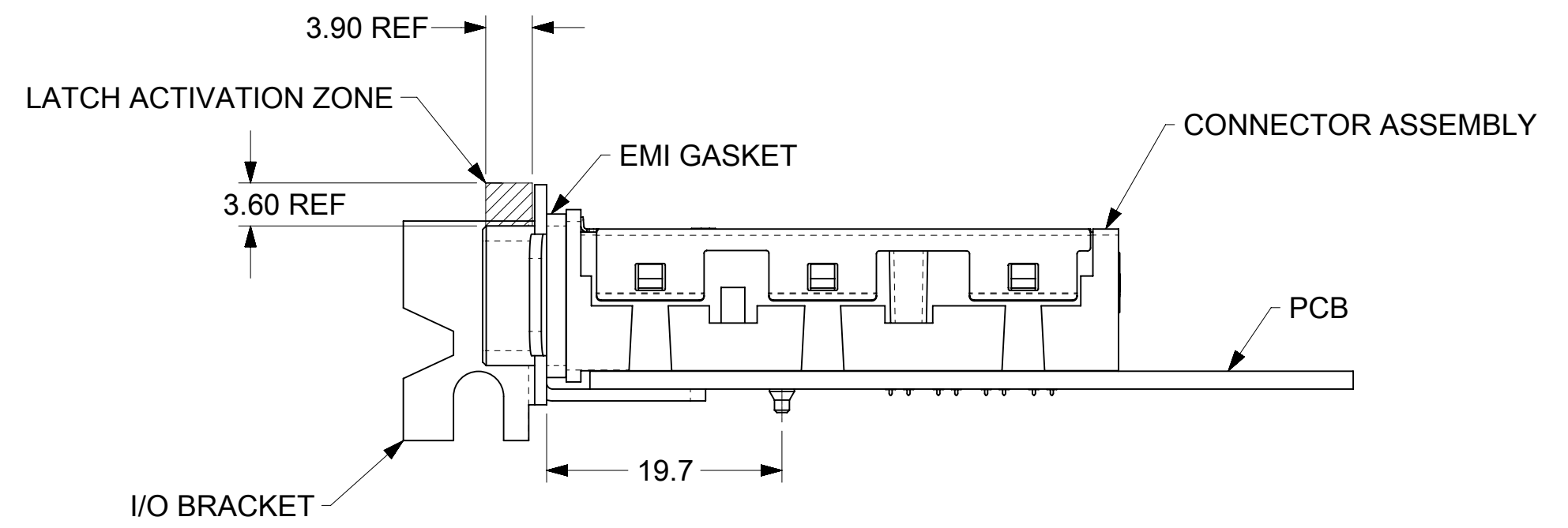
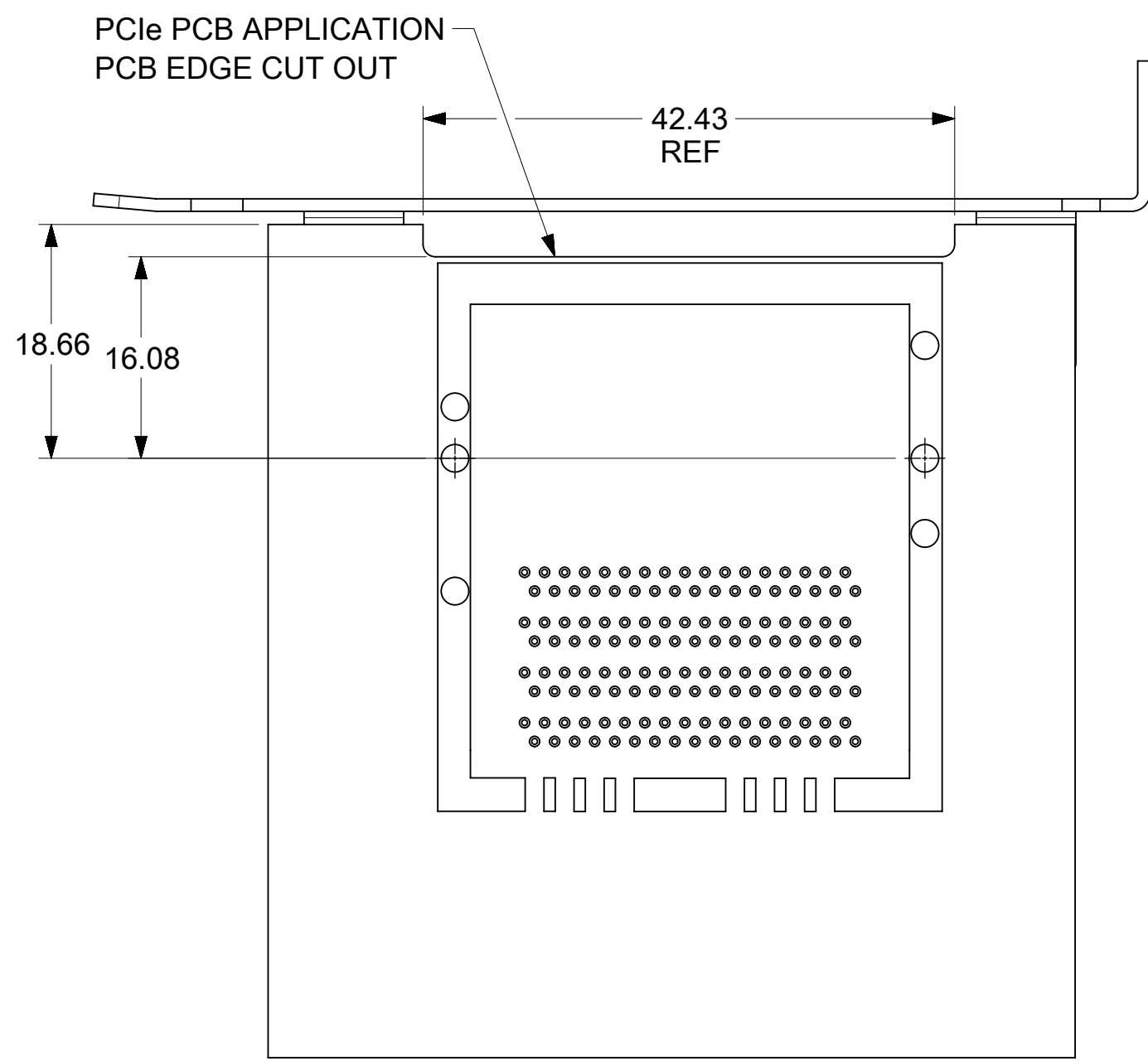


NOTES :

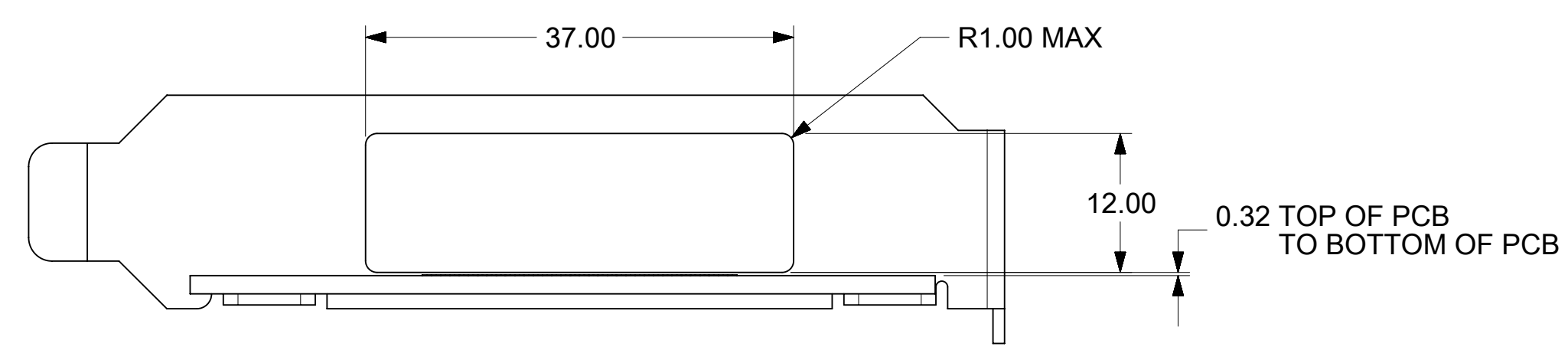
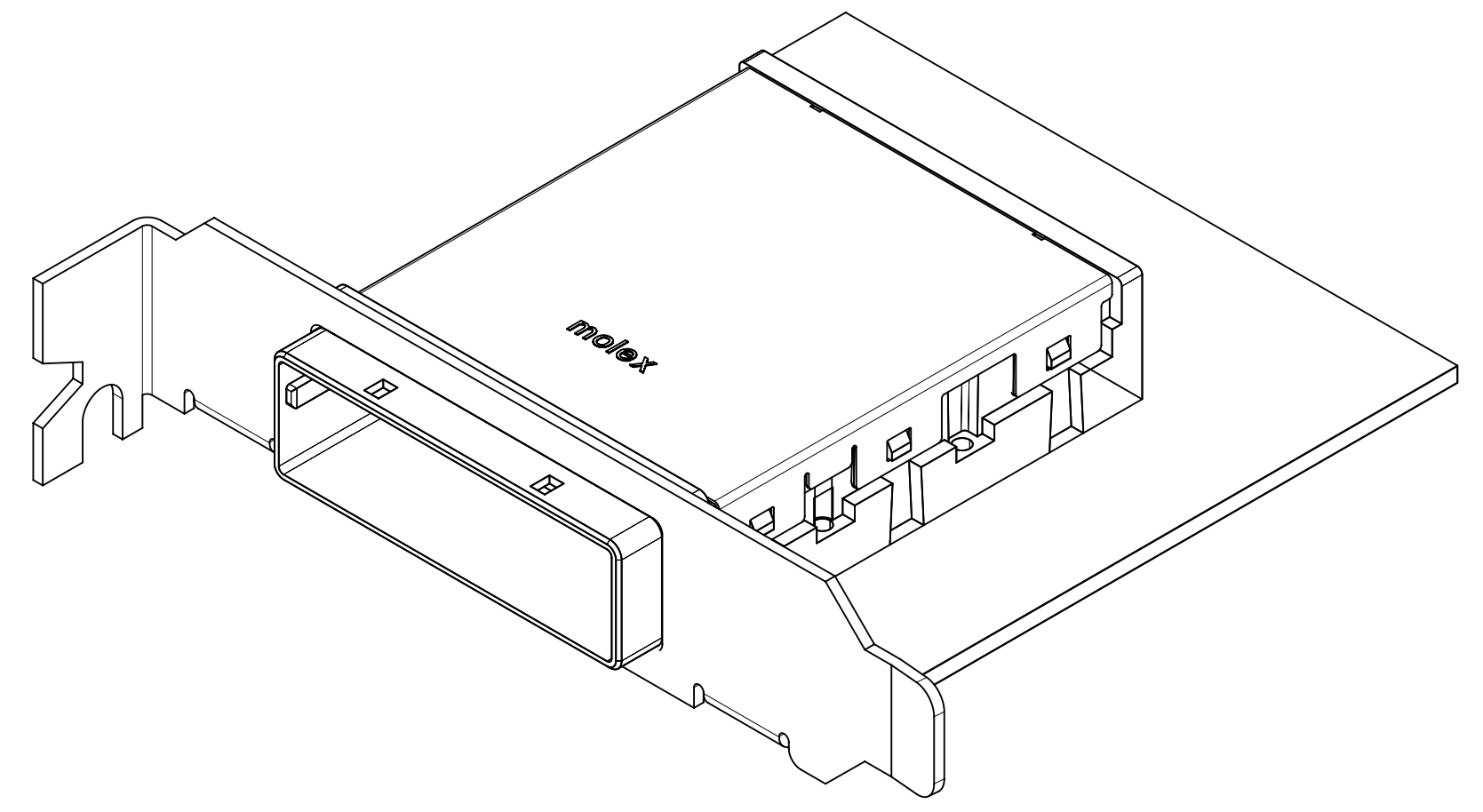
- MATERIALS:
CONNECTOR HOUSING - HIGH TEMP THERMOPLASTIC, GLASS FILLED, UL94V-0
EMI HOUSING - NICKEL PLATED DIE CAST ALLOY
COVER - STAINLESS STEEL ALLOY
EMI GASKET - SEE CHART
- PLATING OPTIONS:
(A) CONTACT AREA - 0.38µm MIN GOLD OVER 2.54 µm MIN NICKEL
COMPLIANT TAIL AREA - 0.76 - 1.52 µm TIN OVER 1.27 µm MIN NICKEL.
(B) CONTACT AREA - 0.76µm MIN GOLD OVER 2.54 µm MIN NICKEL
COMPLIANT TAIL AREA - 0.76 - 1.52 µm TIN OVER 1.27 µm MIN NICKEL.
- PRODUCT SPECIFICATION : PS-75586-001
- THIS CONNECTOR IS DESIGNED TO MATE WITH MOLEX CABLE SERIES 74546.
- PACKAGING SPECIFICATION : TRAY PACK PER PK-75581-001
- MOUNTING HARDWARE REQ'D : M2x8mm CAP SCREWS (4)

PART NUMBER	PLATING OPTION	GASKET TYPE	COVER OPTION
75581-0018	A	UL 94V-0	YES
75581-0019	B	UL 94V-0	YES
75581-0020	A	UL 94V-0	NO
75581-0021	B	UL 94V-0	NO

THIS DRAWING CONTAINS INFORMATION THAT IS PROPRIETARY TO MOLEX ELECTRONIC TECHNOLOGIES, LLC AND SHOULD NOT BE USED WITHOUT WRITTEN PERMISSION											
DIMENSION UNITS		SCALE		CURRENT REV DESC:							
mm		2:1									
GENERAL TOLERANCES (UNLESS SPECIFIED)				EC NO: 624787		DRWN: RPRABHUM		2019/05/30		16X PCIE I-PASS CONNECTOR FAMILY 0.80 MM PITCH I/O	
				CHK'D: GGA		2019/11/11					
4 PLACES ±				APPR: GGA		2019/11/11				PRODUCT CUSTOMER DRAWING DOCUMENT NUMBER: SD-75581-001 DOC TYPE: PSD DOC PART: 001 REVISION: H4	
3 PLACES ±				INITIAL REVISION:		DRWN: KREGNIER		2004/10/21			
2 PLACES ± 0.13				APPR: RNELSON		2004/10/28					
1 PLACE ± 0.25				THIRD ANGLE PROJECTION		DRAWING		SERIES		MATERIAL NUMBER	
0 PLACES ±				C-SIZE		75581		SEE CHART		CUSTOMER	
ANGULAR TOL ± 0.5°				DRAFT WHERE APPLICABLE MUST REMAIN WITHIN DIMENSIONS				GENERAL MARKET		SHEET NUMBER	
								1 OF 3			



ASSEMBLED VIEW



I/O BRACKET CUT-OUT
(NOT SUPPLIED)

THIS DRAWING CONTAINS INFORMATION THAT IS PROPRIETARY TO MOLEX ELECTRONIC TECHNOLOGIES, LLC AND SHOULD NOT BE USED WITHOUT WRITTEN PERMISSION													
DIMENSION UNITS		SCALE		CURRENT REV DESC:									
mm		2:1		molex 16X PCIE I-PASS CONNECTOR FAMILY 0.80 MM PITCH I/O PRODUCT CUSTOMER DRAWING									
GENERAL TOLERANCES (UNLESS SPECIFIED)										EC NO: 624787		2019/05/30	
4 PLACES		±	±							DRWN: RPRABHUM		2019/11/11	
3 PLACES		±	±							CHK'D: GGA		2019/11/11	
2 PLACES		±	0.13							APPR: GGA		2019/11/11	
1 PLACE		±	0.25	INITIAL REVISION:									
0 PLACES		±	±	DRWN: KREGNIER		2004/11/12							
ANGULAR TOL		±	0.5 °	APPR: RNELSON		2004/11/15							
DRAFT WHERE APPLICABLE MUST REMAIN WITHIN DIMENSIONS				THIRD ANGLE PROJECTION		DRAWING		SERIES					
						C-SIZE		75581					
DOCUMENT NUMBER		DOC TYPE		DOC PART		REVISION							
SD-75581-001		PSD		001		H4							
MATERIAL NUMBER		CUSTOMER		SHEET NUMBER									
SEE CHART		GENERAL MARKET		3 OF 3									