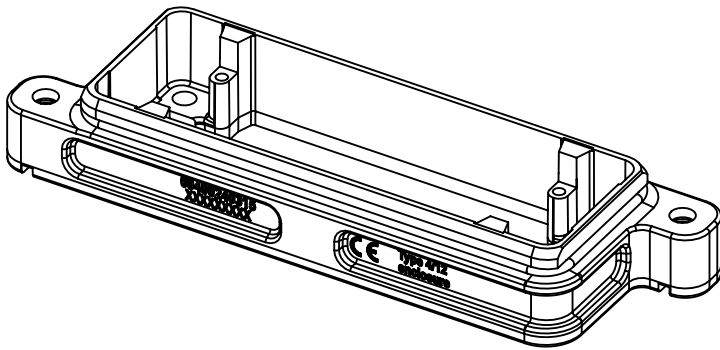


for EMC features,
conductive surface

panel cut out



	All Dimensions in mm Original Size DIN A4		Scale 1:2	Free size tol.		Ref.	
						Sub.	
	All rights reserved		Created by SPRENB	Inspected by SUNDERMEIER	Standardisation 302077	Date 2020-11-27	
	Department EL PD					State Final Release	
HARTING Electric GmbH & Co. KG D-32339 Espelkamp		Title Han 24HPR Base Panel screw lock. milled				Doc-Key / ECM-Nr. 100217700/UGD/004/F 500000182491	
		Type TB	Number 09 40 024 0315			Rev. F	Page 1/1